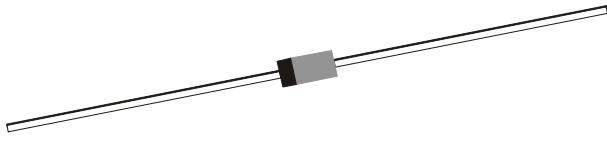




SILICON PLANAR EPITAXIAL HIGH SPEED DIODE

1N4151
500mW

DO- 35
Glass Axial Package



ABSOLUTE MAXIMUM RATINGS (Ta=25°C unless specified otherwise)

DESCRIPTION	SYMBOL	VALUE	UNIT
Reverses Voltage (Continuous)	V_R	50	V
Repetitive Peak Reverse Voltage	V_{RRM}	75	V
Total Power Dissipation @ $T_A=25^\circ\text{C}$	P_{tot}	500	mW
Linear Derating Factor		2.85	mW/°C
Storage Temperature	T_{stg}	-65 to +200	°C
Junction Temperature	T_j	200	°C

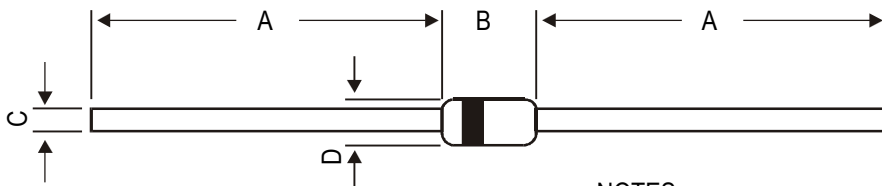
ELECTRICAL CHARACTERISTICS (Ta=25°C unless specified otherwise)

DESCRIPTION	SYMBOL	TEST CONDITION	MIN	TYP	MAX	UNIT
Forward Voltage	V_F	$I_F=50\text{mA}$,			1.0	V
Reverse Current	I_R	$V_R= 50\text{V}$			0.05	μA
		$V_R =50\text{V}$, $T_j=150^\circ\text{C}$			50	μA
Breakdown Voltage	B_V	$I_R=5.0\mu\text{A}$	75			V
Reverse Recovery Time	t_{rr}	$I_F=10\text{mA}$ to $I_R=10\text{mA}$ Recovery to 1.0mA			4	ns
		$I_F=10\text{mA}$, $V_R=-6.0\text{V}$ $R_L=100\ \Omega$			2	ns
Capacitance	C	$V_R=0$, $f=1.0\text{MHz}$			4	pF

**1N4151
500mW**

**DO-35
Glass Axial Package**

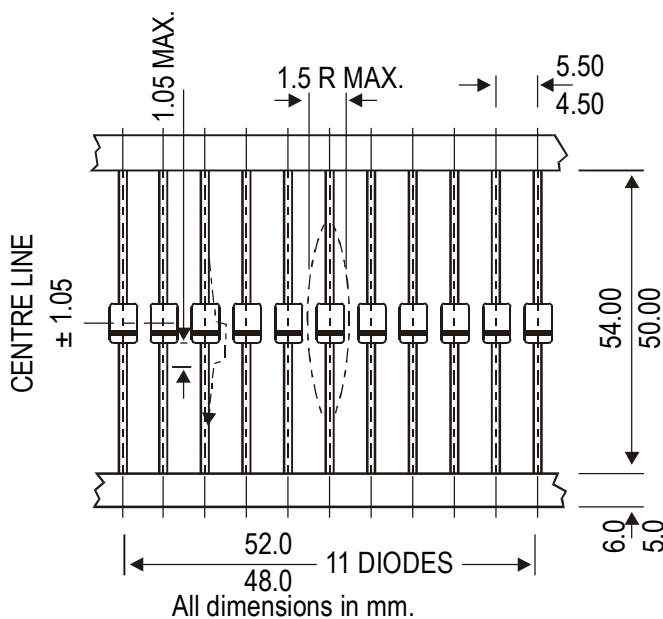
DO-35 Glass Axial Package



DIM	MIN	MAX
A	25.40	—
B	3.03	4.44
C	0.46	0.56
D	1.52	2.29

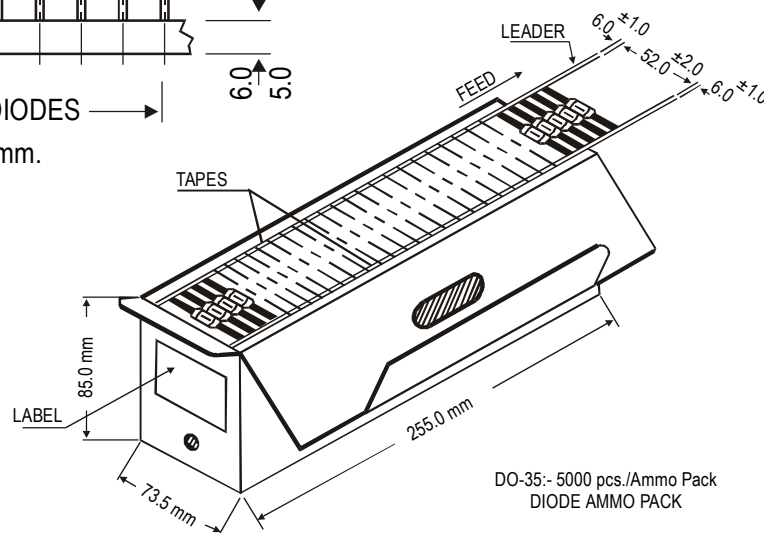
- NOTES
 1. Cathode is marked by Band.
 2. All dimensions are in mm.

DO-35, 52mm Taping Specification



52 mm Taping Specification

1. T & A indicates Axial Tape & Ammo packing (52 mm Tape Spacing).
2. 300 mm (min) leader tape on every spool.
3. No. of empty places allowed 0.25% without consecutive empty places.
4. Ends of leads shall preferably not protrude beyond the tapes.
5. Components shall be held sufficiently in the tape or tapes so that they can not come free in normal handling.



DO-35:- 5000 pcs./Ammo Pack
DIODE AMMO PACK

On request also available in 26 mm Tape and Ammo Pack

Packing Detail

PACKAGE	STANDARD PACK		INNER CARTON BOX		OUTER CARTON BOX		
	Details	Net Weight/Qty	Size	Qty	Size	Qty	Gr Wt
DO-35 T&A	5K/ammo box	0.88 kg/5K pcs	10" x 3.5" x 3.5"	5K	12.7" x 12.7" x 20"	125K	25 kgs