

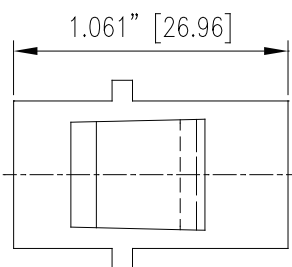
0.320" [8.12] 0.061" [1.55]

0.635" [16.13]

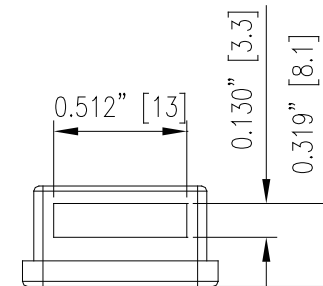
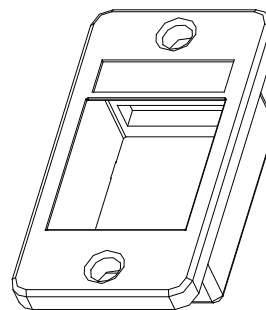
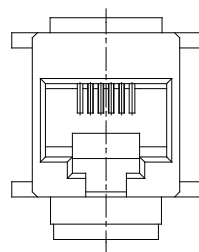
0.742" [18.84]
0.681" [17.29]

0.740" [18.8] Ref.

0.730" [18.54]
0.570" [14.48]



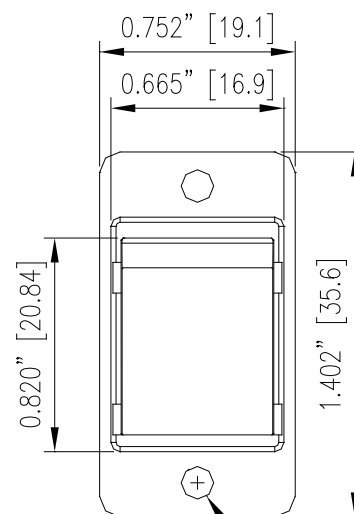
1.061" [26.96]



0.512" [13]

0.130" [3.3]

0.319" [8.1]



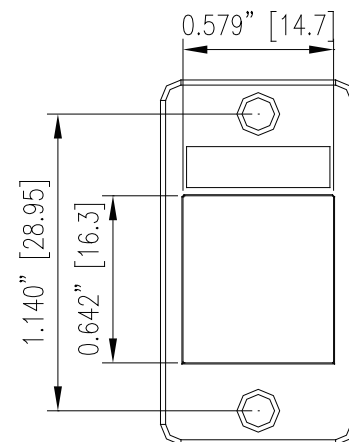
0.752" [19.1]
0.665" [16.9]

0.820" [20.84]

1.402" [35.6]

+

Ø0.125" [Ø3.18]



0.579" [14.7]

1.140" [28.95]

0.642" [16.3]

MATERIAL
Bezel: Zinc alloy, plated with nickel

Coupler
Housing: High-impact engineering thermoplastic, UL 94 V-0 rated
Jack Contacts: Phosphor bronze, Ø=0.35 mm (0.014 in), plated with hard gold over nickel underplate o contact area
RoHS compliant

DRAWN BY Autumn Lee					Another quality product from BLACK BOX 724-746-9300 • www.blackbox.com				
APPROVED BY Jerry Su					TITLE Panel Mount Modular Coupler Un-Shielded, RJ11 (4 Wire) - Black				
DIMENSIONS ARE [IN (MM)]					PARTS NO. FMT1080				
TOLERANCES:					DATE 2011.04.27				
~0.8"	~2"	~6"	6"~	ANGLE	SCALE X			SHEET 1/1	
±0.007"	±0.015"	±0.02"	±0.06"	2°	REV. 1				
3rd Angle Projection									