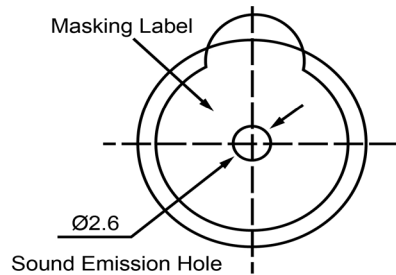
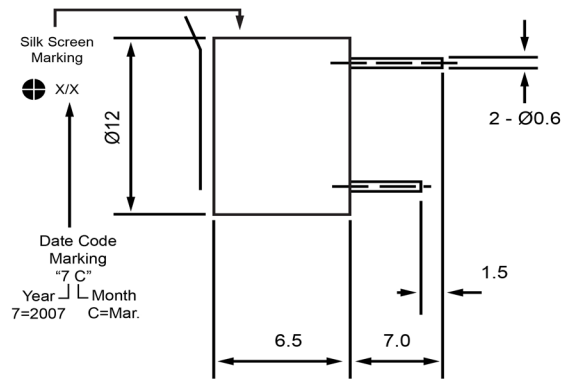


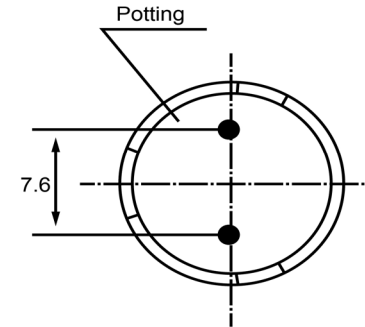
TOP VIEW





SIDE VIEW



BOTTOM VIEW



| Specifications | | | Notes | Revision History | | | | | | | | | | | | |
|--|--------------------|-------|--|-------------------------------------|---------------------------|------------|--------------------|-------------------|--------------------|--|--------------------|--|--------------------|--|--------------------|--|
| Description | Value | Unit | | Version | Description | Date | Approved | | | | | | | | | |
| Technology | Electro-Mechanical | | 1) All dimensions are in mm unless otherwise noted 2) All parts meet RoHS  | 1 | Released from Engineering | 10/21/2013 | J.S | | | | | | | | | |
| Resonant Frequency | 2,300 | (Hz) | | | | | | | | | | | | | | |
| Rated Voltage | 5 | (V) | | | | | | | | | | | | | | |
| SPL @ 10cm | 85 | (dBA) | | | | | | | | | | | | | | |
| Tone | Single Tone | | | | | | | | | | | | | | | |
| Mount Type | Thru Hole | | | | | | | | | | | | | | | |
| Voltage Range | 4 ~ 7 | (V) | | | | | | | | | | | | | | |
| Max Rated Current | 30 | (mA) | | | | | | | | | | | | | | |
| Housing Material | NORYL | | | | | | | | | | | | | | | |
| Operating Temperature | -20 ~ +70 | °C | | | | | | | | | | | | | | |
| Storage Temperature | -20 ~ +70 | °C | | | | | | | | | | | | | | |
| Weight | 2 | (g) | | | | | | | | | | | | | | |
|  | | | | Drawn by A.B. | | | Date 10/21/2013 | | Checked by C.E. | | Date 10/21/2013 | | Approved by J.S | | Date 10/21/2013 | |
| | | | | Electro-Mechanical Indicator | | | | IE122305-1 | | | | | | | | |