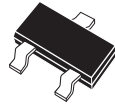


CMPP6027
CMPP6028

**SURFACE MOUNT
PROGRAMMABLE UNIJUNCTION
SILICON TRANSISTOR**



SOT-23 CASE

CentralTM
Semiconductor Corp.

DESCRIPTION:

The Central Semiconductor CMPP6027, CMPP6028 types are Silicon Programmable Unijunction Transistors, manufactured in a surface mount SOT-23 package, designed for adjustable (programmable) characteristics such as, Valley Current (I_V), Peak Current (I_P), and Intrinsic Standoff Ratio (η).

**MARKING CODE: CMPP6027 - P27
CMPP6028 - P28**

MAXIMUM RATINGS: ($T_A=25^\circ\text{C}$)

	SYMBOL		UNITS
Gate-Cathode Forward Voltage	V_{GKF}	40	V
Gate-Cathode Reverse Voltage	V_{GKR}	5.0	V
Gate-Anode Reverse Voltage	V_{GAR}	40	V
Anode-Cathode Voltage	V_{AK}	40	V
Peak Non-Repetitive Forward Current ($t=10\mu\text{s}$)	I_{TSM}	5.0	A
Peak Repetitive Forward Current ($t=20\mu\text{s}$, D.C.=1.0%)	I_{TRM}	2.0	A
Peak Repetitive Forward Current ($t=100\mu\text{s}$, D.C.=1.0%)	I_{TRM}	1.0	A
DC Forward Anode Current	I_T	150	mA
DC Gate Current	I_G	50	mA
Power Dissipation	P_D	350	mW
Storage Temperature	T_{stg}	-55 to +150	$^\circ\text{C}$
Operating Junction Temperature	T_J	-50 to +100	$^\circ\text{C}$

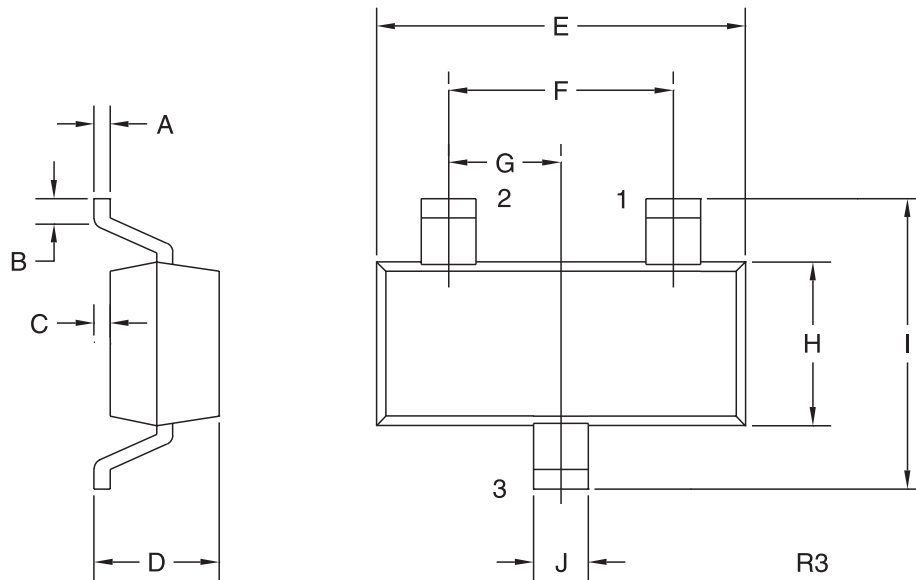
ELECTRICAL CHARACTERISTICS: ($T_A=25^\circ\text{C}$ unless otherwise noted)

SYMBOL	TEST CONDITIONS	CMPP6027		CMPP6028		UNITS
		MIN	MAX	MIN	MAX	
I_{GAO}	$V_S=40\text{V}$		10	10		nA
I_{GKS}	$V_S=40\text{V}$		50	50		nA
I_P	$V_S=10\text{V}$, $R_G=1.0\text{M}\Omega$		2.0	0.15		μA
I_P	$V_S=10\text{V}$, $R_G=10\text{k}\Omega$		5.0	1.0		μA
I_V	$V_S=10\text{V}$, $R_G=1.0\text{M}\Omega$		50	25		μA
I_V	$V_S=10\text{V}$, $R_G=10\text{k}\Omega$	70		25		μA
I_V	$V_S=10\text{V}$, $R_G=200\Omega$	1.5		1.0		mA
V_T	$V_S=10\text{V}$, $R_G=1.0\text{M}\Omega$	0.2	1.6	0.2	0.6	V
V_T	$V_S=10\text{V}$, $R_G=10\text{k}\Omega$	0.2	0.6	0.2	0.6	V
V_F	$I_F=50\text{mA}$		1.5		1.5	V
V_O	$V_B=20\text{V}$, $C_C=0.2\mu\text{F}$	6.0		6.0		V
t_r	$V_B=20\text{V}$, $C_C=0.2\mu\text{F}$		80		80	ns

R0 (05-September 2002)

**SURFACE MOUNT
PROGRAMMABLE UNIJUNCTION
SILICON TRANSISTOR**

SOT-23 CASE - MECHANICAL OUTLINE



LEAD CODE:

- 1) CATHODE
- 2) ANODE
- 3) GATE

MARKING CODE:

CMPP6027 - P27
CMPP6028 - P28

SYMBOL	DIMENSIONS			
	INCHES		MILLIMETERS	
	MIN	MAX	MIN	MAX
A	0.003	0.007	0.08	0.18
B	0.006	-	0.15	-
C	-	0.005	-	0.13
D	0.035	0.043	0.89	1.09
E	0.110	0.120	2.80	3.05
F	0.075		1.90	
G	0.037		0.95	
H	0.047	0.055	1.19	1.40
I	0.083	0.098	2.10	2.49
J	0.014	0.020	0.35	0.50

SOT-23 (REV: R3)