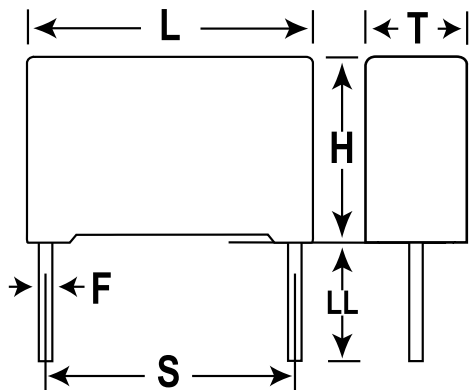


Film, Metallized Polyester Stacked, Commercial Grade, R82, 0.22 uF, 5%, 63 V, 85C, Lead Spacing = 5mm



| General Information | |
|---------------------|---|
| Dielectric: | Metallized Polyester Stacked |
| Style: | Radial |
| Series: | R82 |
| Features: | Pulse |
| RoHS: | Yes |
| Lead: | Wire Leads |
| Approvals: | AEC-Q200 |
| AEC-Q200: | Yes |
| Miscellaneous: | Above 85C DC And AC Voltage Derating Is 1.25%/C |

| Dimensions | |
|------------|-----------------|
| L | 7.2mm +0.2mm |
| H | 6.5mm +0.1mm |
| T | 2.5mm +0.1mm |
| S | 5mm +/-0.4mm |
| LL | 17mm +1/-2mm |
| F | 0.5mm +/-0.05mm |

| Specifications | |
|------------------------|-----------------------|
| Capacitance: | 0.22 uF |
| Capacitance Tolerance: | 5% |
| Voltage DC: | 63 VDC |
| Voltage AC: | 40 VAC |
| Temperature Range: | -55/+105C |
| Rated Temperature: | 85C |
| Dissipation Factor: | 0.8% 1kHz, 1.2% 10kHz |
| Insulation Resistance: | 15 GOhms |
| Max dVdt: | 160 V |
| Inductance: | 7 nH |

| Packaging Specifications | |
|--------------------------|------|
| Packaging: | Bulk |
| Packaging Quantity: | 4000 |