



PRODUCT DATASHEET

Veronica series

last update 13/12/2017

DETAILS

Product Number	CA15519_VERONICA-SQ-MINI-D
Family	Veronica
Type	Assembly
Color	clear
Diameter	13,9+13,9 mm
Height	8,86 mm
Style	square
Optic Material	PMMA
Holder Material	
Fastening	tape, pin
Status	production ready
ROHS Compliant	Yes
Date Updated	13/12/2017

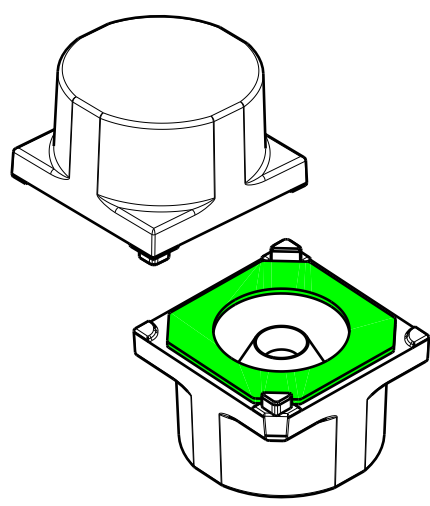
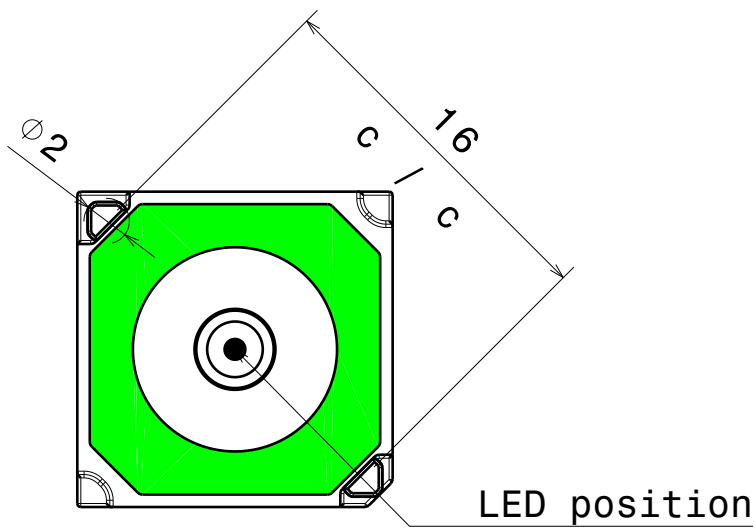


OPTICAL PROPERTIES

LED	Viewing Angle	Light Beam	Efficiency	cd/lm	Connector
XP-E2	15 deg	Diffuser	92 %	7.200	-
XD16	17 deg	Diffuser	90 %	3.700	-
J Series 3030	sim: 18	Diffuser	sim: 94 %	sim: 6.124	-
Oslon Square Gen3	sim: 19	Diffuser	sim: 94 %	sim: 5.810	-

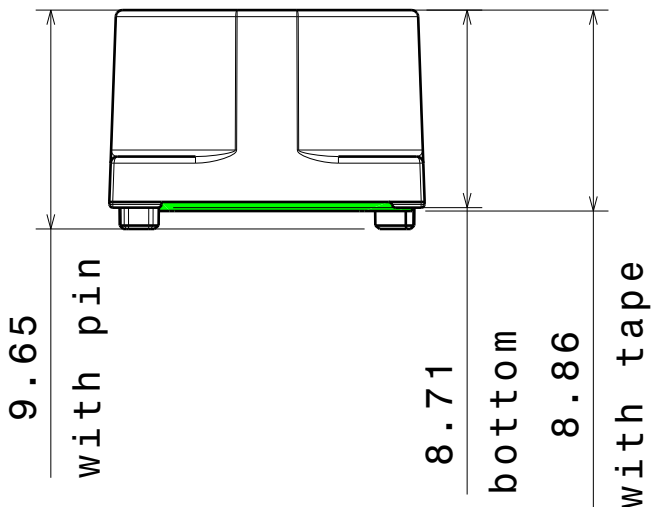
D C B A

4

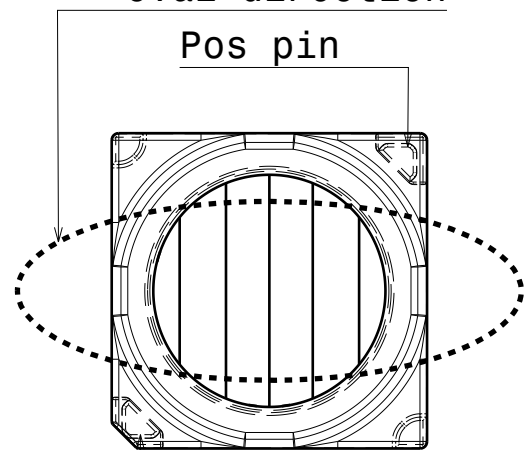


4

3

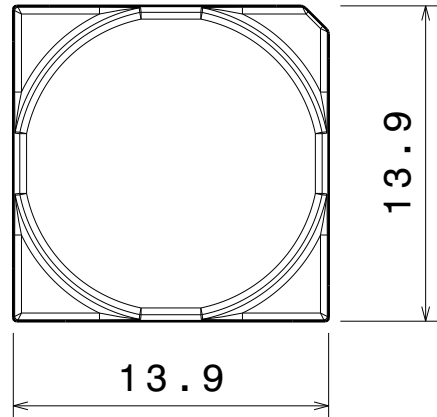


Oval direction
Pos pin



3

2



Pos pin
Oval version
TOP VIEW

2

INDEX	DESCRIPTION
1	VERONICA-SQ-MINI-TAPE
2	VERONICA-SQ-MINI

Tolerances if not otherwise shown
According to DIN ISO 2768-1
Linear measures:
up to 30mm class M, otherwise class C
According to DIN ISO 2768-2
Form and position: class L

LEDiL Ledil Oy
Salorankatu 10
FIN 24240 SALO
Finland

THIRD ANGLE PROJECTION:

DRAWING TITLE
VERONICA-SQ-MINI

This drawing is the property of LEDiL Oy. It may not be reproduced, copied or communicated without a written agreement with LEDiL Oy.

SIZE PART NUMBER
A4 -

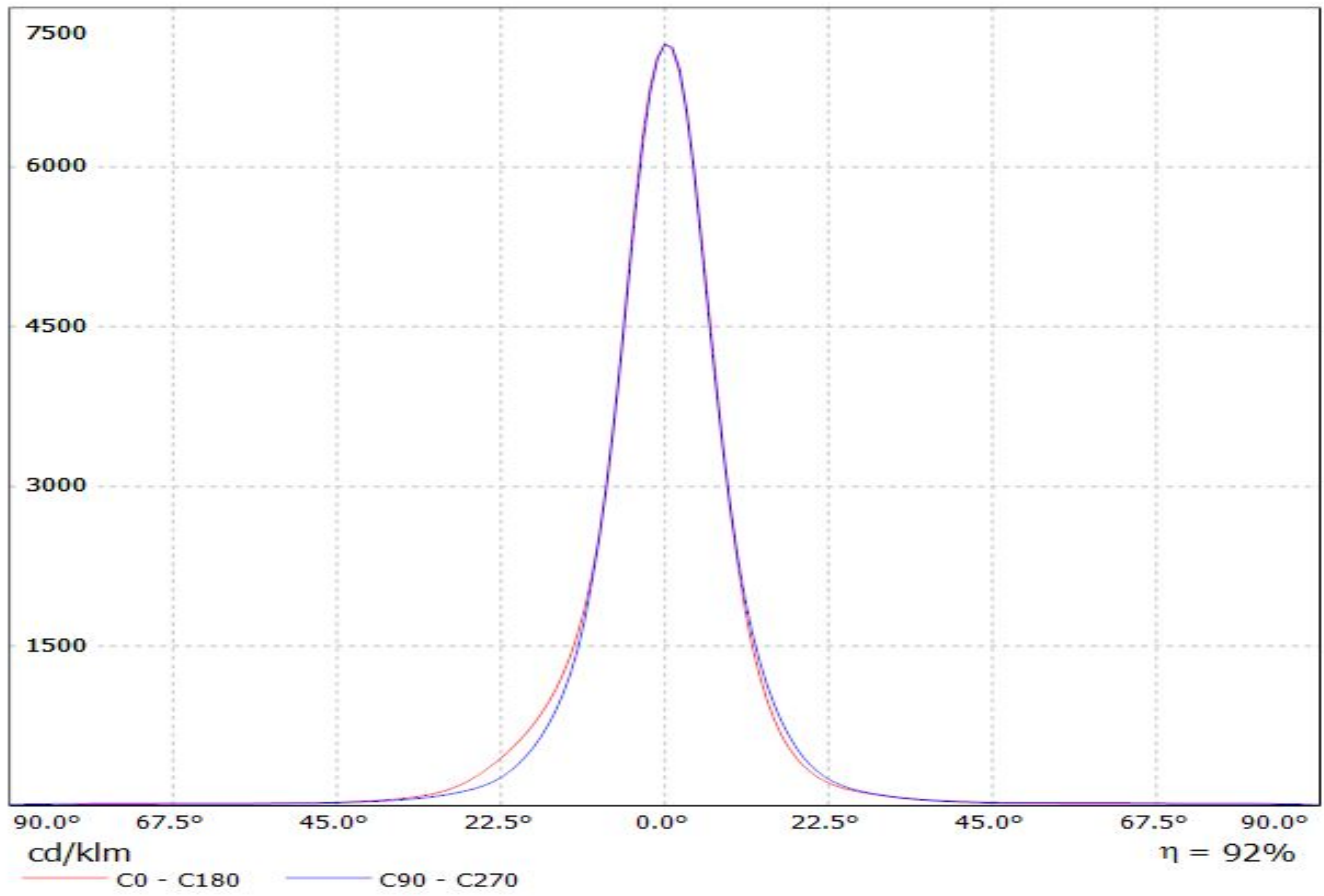
SCALE 3:1 WEIGHT SHEET 1/1

1

1

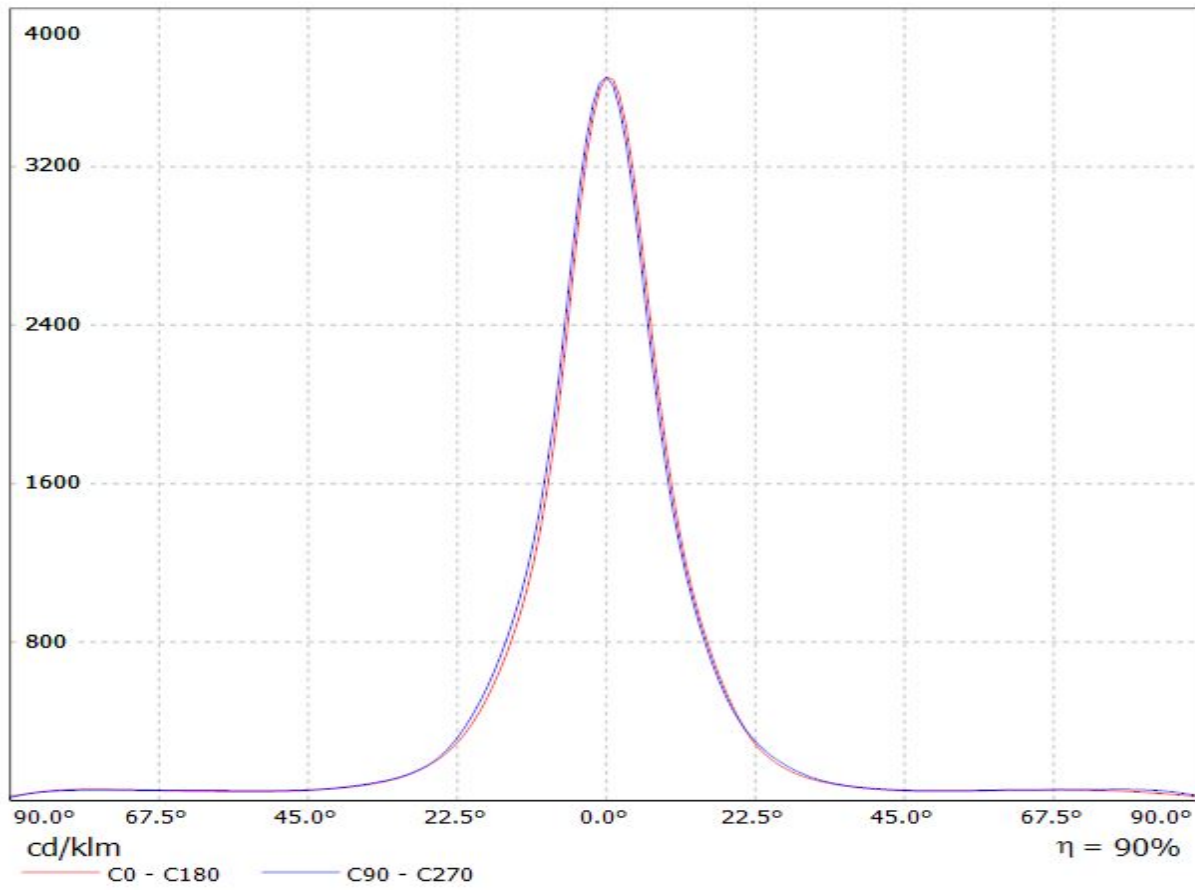
D A

Luminaire: Ledil CA15519_VERONICA-SQ-MINI-D_(XP-E2)
Lamps: 1 x Cree_XP-E2_66.2829lm@250mA_P=0.7639W_I=0.250A

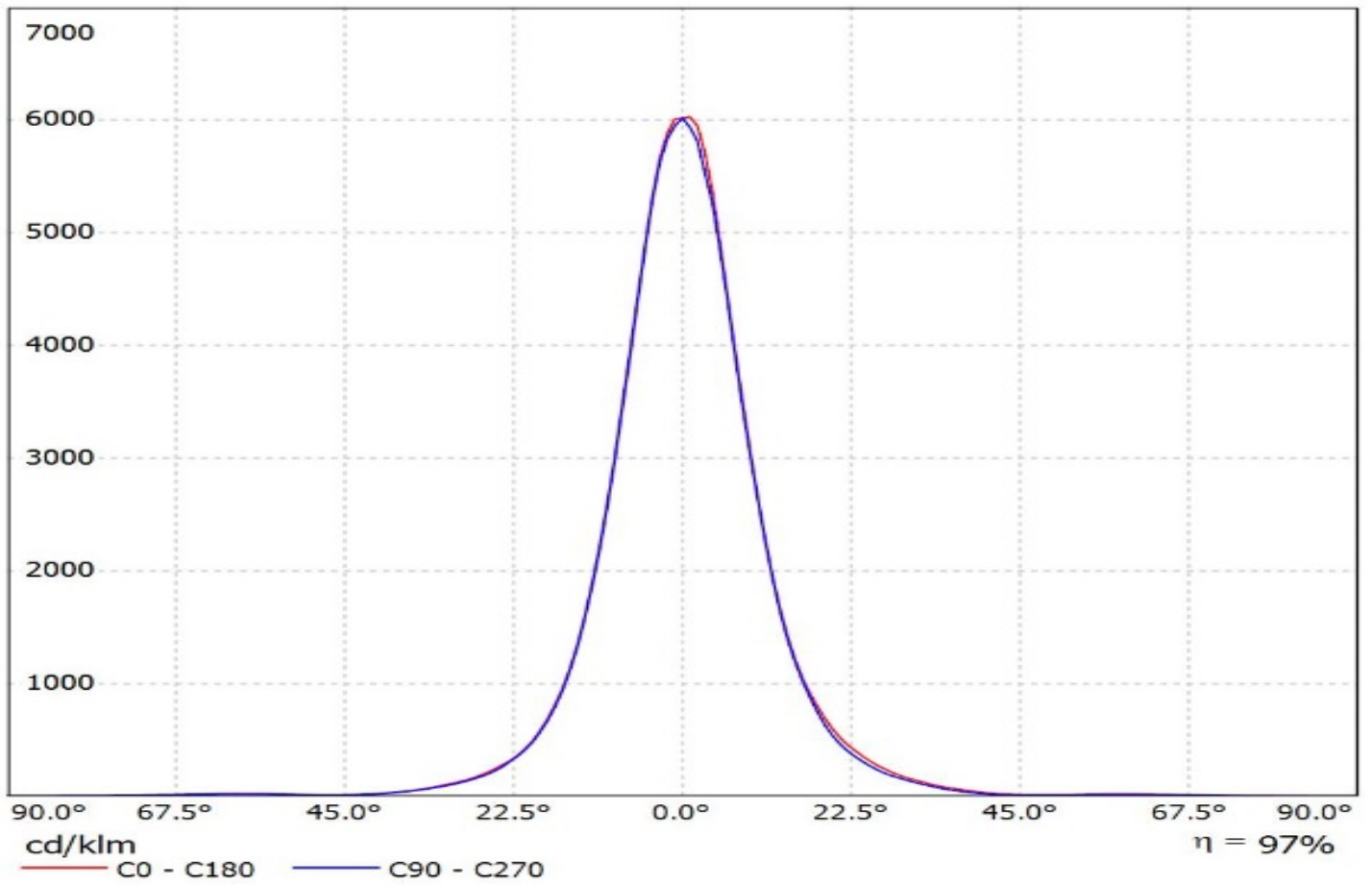


Luminaire: LEDiL Oy CA15519_VERONICA-SQ-MINI-D_(XD16)

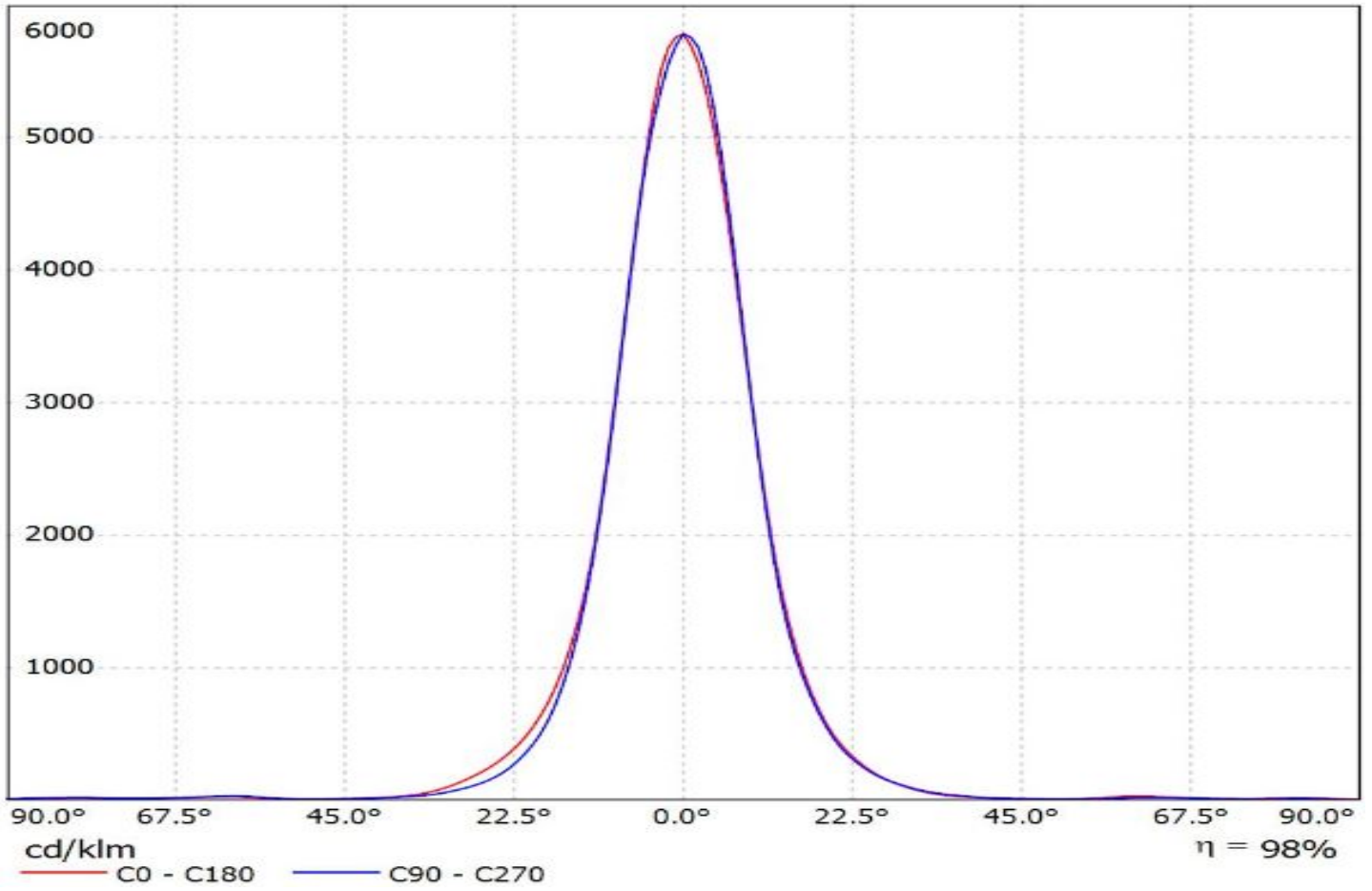
Lamps: 1 x Cree_XD16_(XD16AWT-H-2B0-S20-0B-002)_115.272lm@250mA_CCT=5700K_P=0.707833W_U=2.8336V



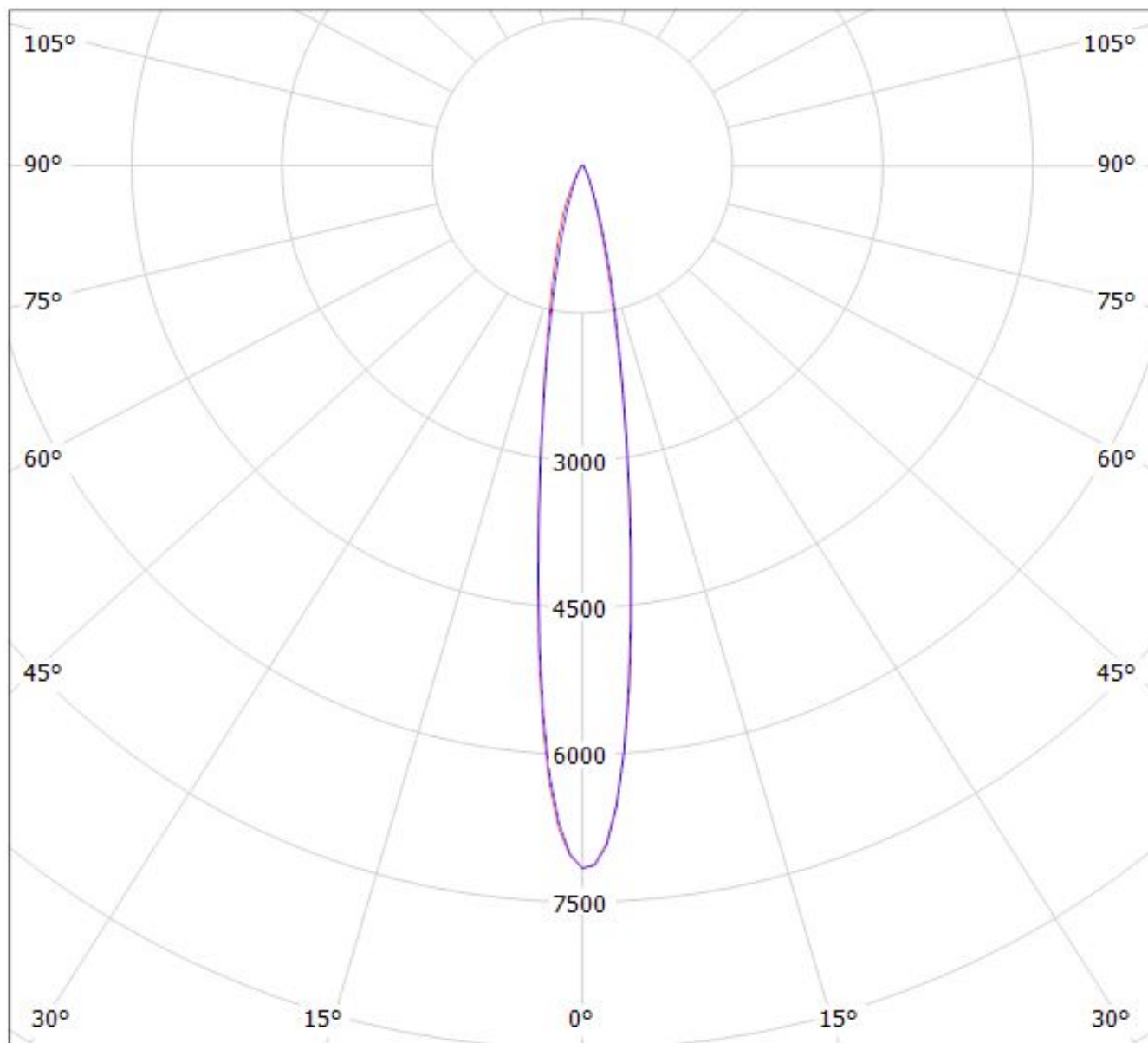
Luminaire: Ledil Oy CA15519_VERONICA-SQ-MINI-D_SIMULATED
Lamps: 1 x CREE_JB3030_3V



Luminaire: Ledil Oy CA15519_VERONICA-SQ-MINI-D_(Oslon Square Gen3)_SIMULATED
Lamps: 1 x Oslon Square Gen 3 - GW CSSRM2.PM



Luminaire: Ledil CA15519_VERONICA-SQ-MINI-D_(XP-E2)
Lamps: 1 x Cree_XP-E2_66.2829lm@250mA_P=0.7639W_I=0.250A



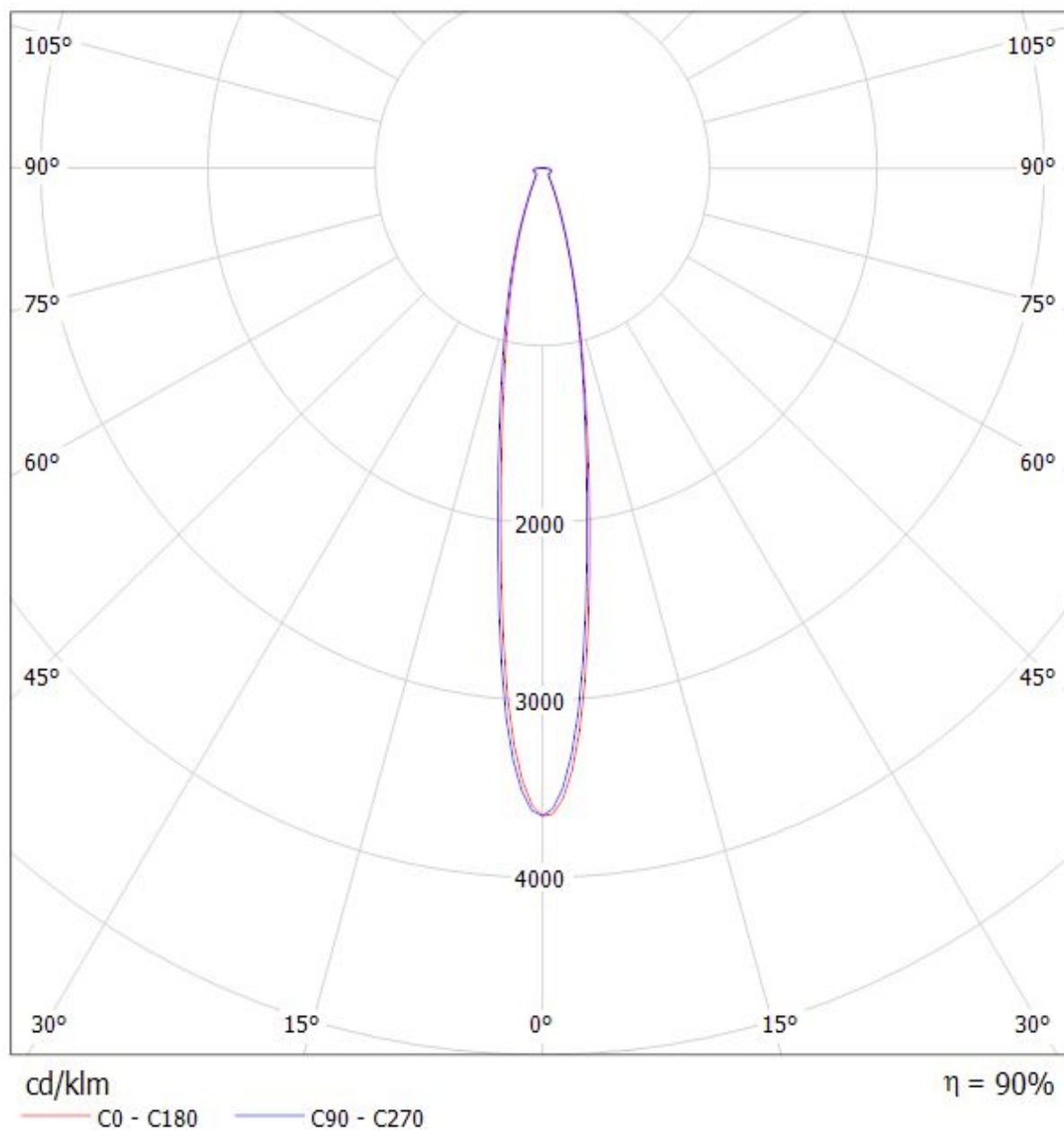
cd/klm

$\eta = 92\%$

— C0 - C180 — C90 - C270

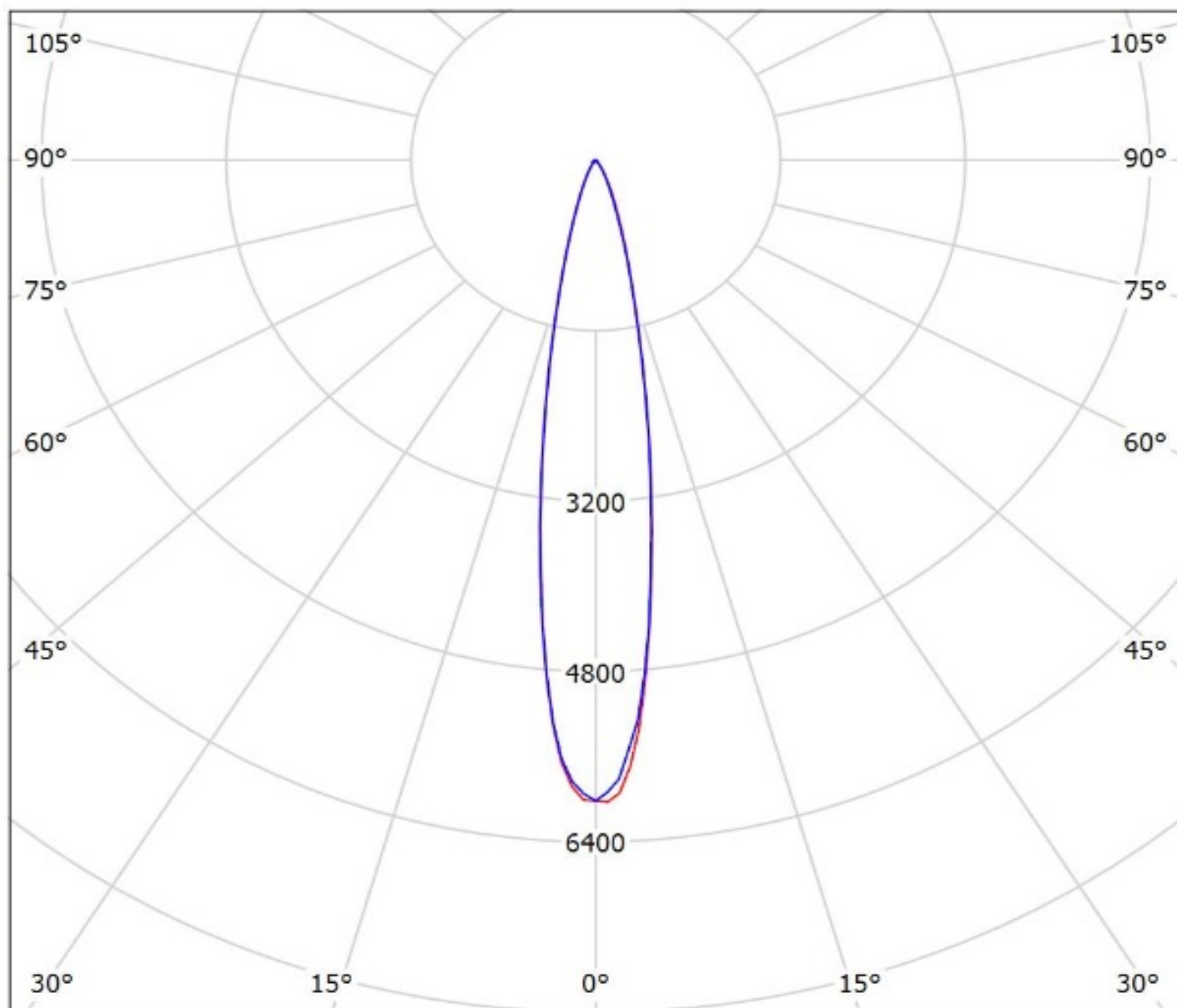
Luminaire: LEDiL Oy CA15519_VERONICA-SQ-MINI-D_(XD16)

Lamps: 1 x Cree_XD16_(XD16AWT-H-2B0-S20-0B-002)_115.272lm@250mA_CCT=5700K_P=0.707833W_U=2.8336V



Luminaire: Ledil Oy CA15519_VERONICA-SQ-MINI-D_SIMULATED

Lamps: 1 x CREE_JB3030_3V



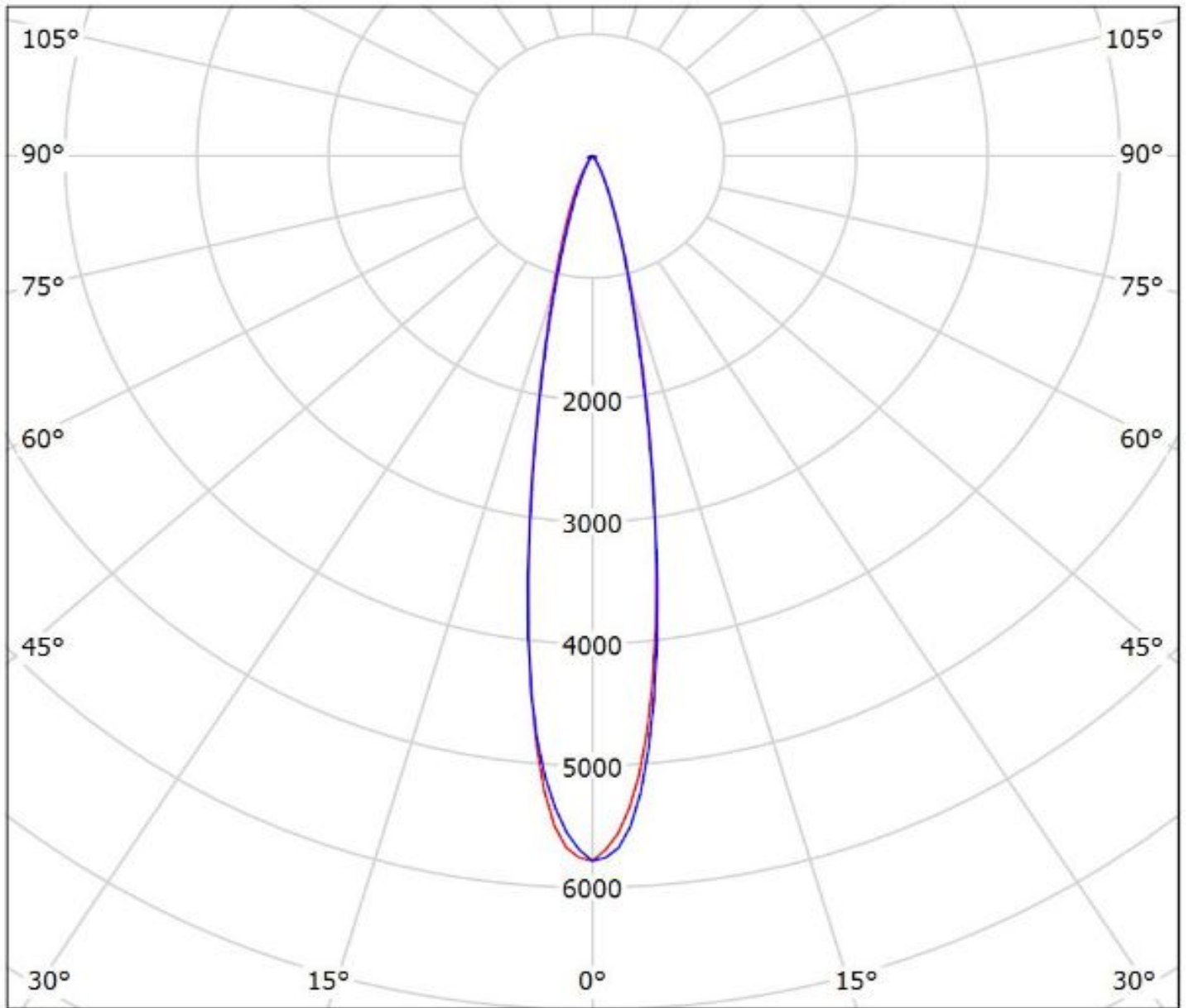
cd/klm

— C0 - C180

— C90 - C270

$\eta = 97\%$

Luminaire: Ledil Oy CA15519_VERONICA-SQ-MINI-D_(Oslon Square Gen3)_SIMULATED
Lamps: 1 x Oslon Square Gen 3 - GW CSSRM2.PM



cd/klm

— C0 - C180 — C90 - C270

$\eta = 98\%$

NOTE: The typical divergence will be changed by different color, chip size and chip position tolerance. The typical total divergence is the full angle measured where the luminous intensity is half of the peak value.