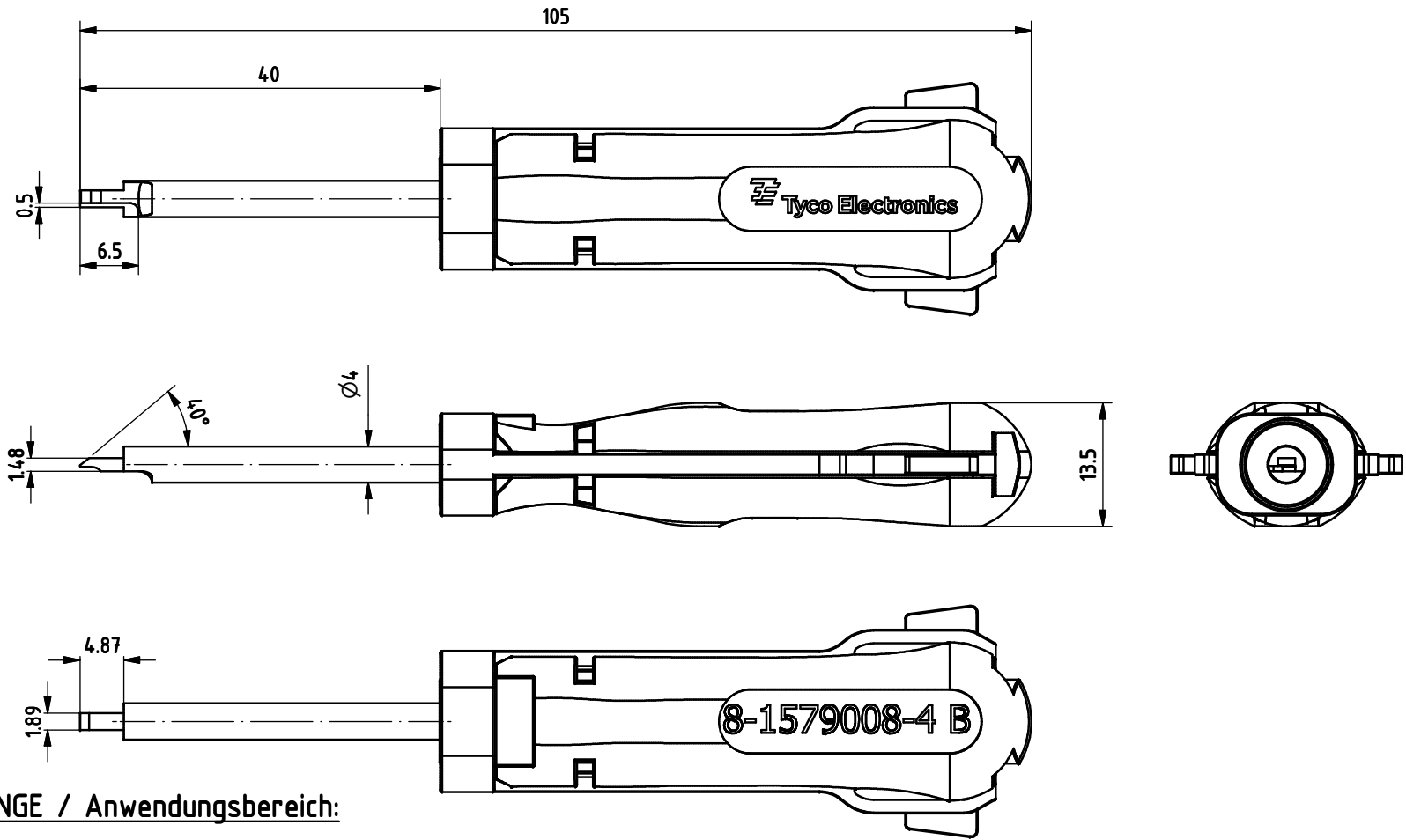


THIS DRAWING IS UNPUBLISHED. RELEASED FOR PUBLICATION
 © COPYRIGHT - BY TYCO ELECTRONICS CORPORATION. ALL INTERNATIONAL RIGHTS RESERVED.

LOC AI DIST 00

REVISIONS					
P	LTR	DESCRIPTION	DATE	DWN	APVD
B		ECR-10-012346	10JUN10	SA	GS



APPLICATION RANGE / Anwendungsbereich:

CONTACT MCON 1.2: 1452501, 1534595,
 1535063, 1570145,
 1458504, 1418842,
 1418845, 1418848,
 1670147, 1418851,

HOUSING: 1703440

THIS DRAWING IS A CONTROLLED DOCUMENT.		DWN S. Samstag 05JUN2008	Tyco Electronics Tyco Electronics AMP GmbH 64625 Bensheim (Germany)	
DIMENSIONS: mm	TOLERANCES UNLESS OTHERWISE SPECIFIED:	CHK G. Stegmayer 05JUN2008	NAME EXTRACTION TOOL Entriegelungswerkzeug	
	0 PLC ±± 1 PLC ±±± 2 PLC ±±±± 3 PLC ±±±±± 4 PLC ±±±±±± ANGLES ±	APVD G. Stegmayer 05JUN2008	PRODUCT SPEC	RESTRICTED TO
MATERIAL	FINISH	APPLICATION SPEC 114-18464	SIZE A3	CAGE CODE 00779
		Gewicht / Weight in Kg 0,009	DRAWING NO C= 8-1579008-4	SCALE 1:1
CUSTOMER DRAWING			SHEET 1 of 1	REV B