

KR Electronics, Inc.

General Description

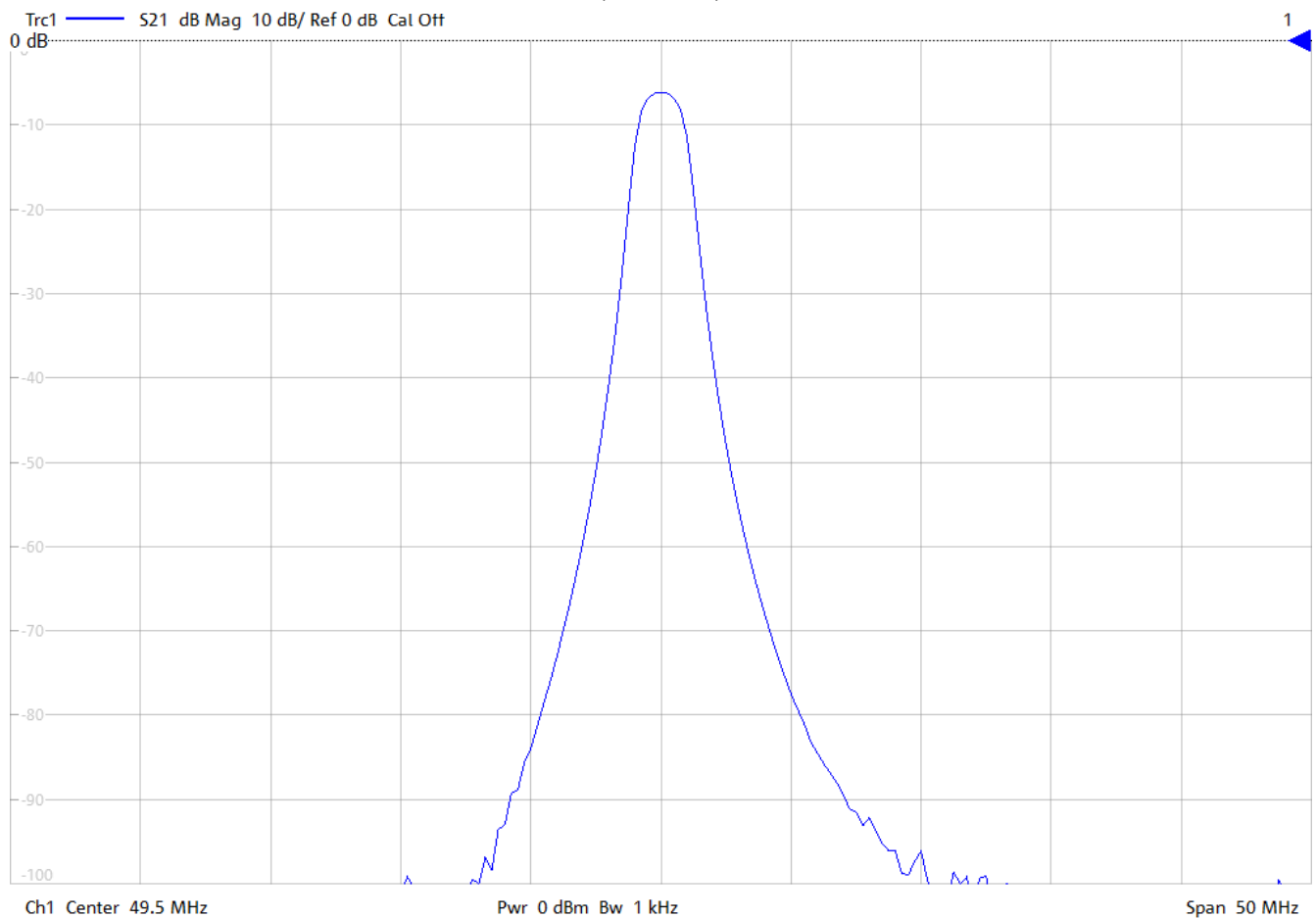
KR Electronics part number 3333-SMA is a 49.5 MHz band-pass filter. The filter has a minimum 1 dB bandwidth of 1 MHz min. Other center frequencies and bandwidths are available. Please consult the factory.

Features

- 49.5 MHz Bandpass Filter
- 1 dB Bandwidth 1 MHz min
- 7.3 MHz typical 60 dB Bandwidth
- Good Stopband Rejection
- 50 Ω Source and Load
- SMA Connectors

Typical Performance

Overall Response
(10 dB/div)

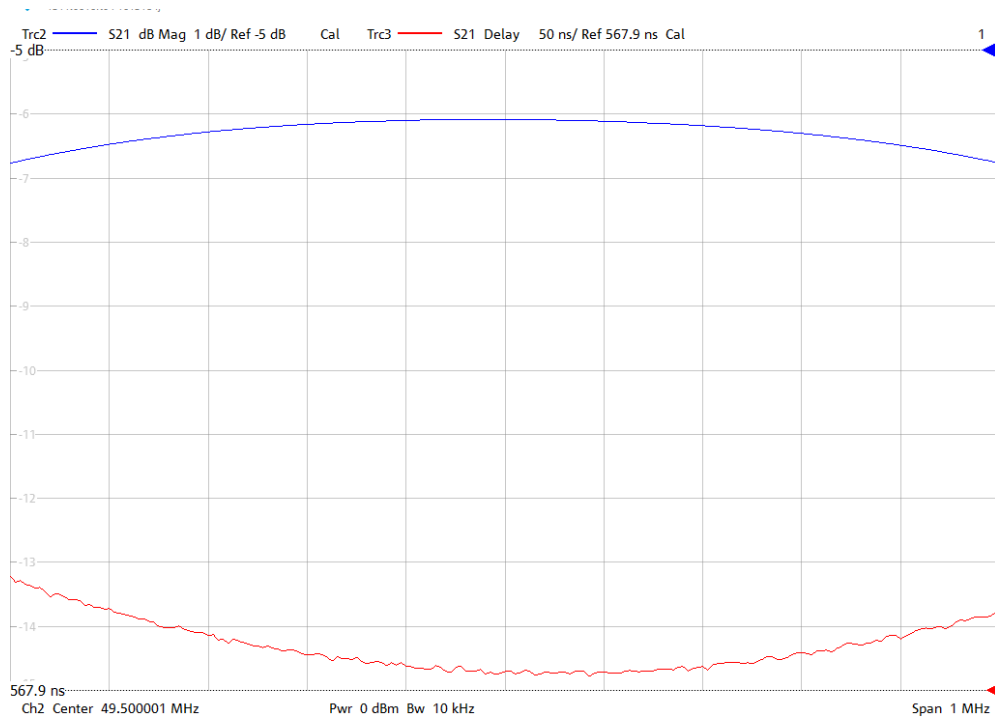


KR Electronics, Inc.
91 Avenel Street
Avenel, NJ 07001

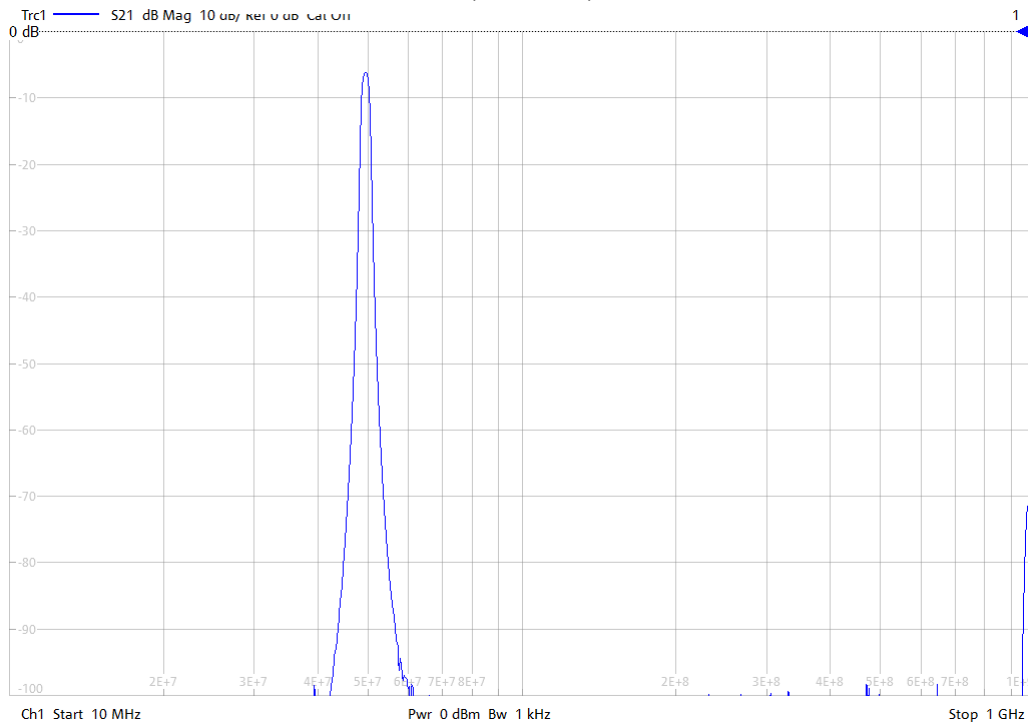
Web www.krfilters.com
Email sales@krfilters.com
Phone (732) 636-1900
Fax (732) 636-1982

KR Electronics 3333-SMA

Passband Amplitude & Group Delay (1 dB/div & 50 nsec/div)



Overall Response (10 dB/div)



KR Electronics, Inc.
91 Avenel Street
Avenel, NJ 07001

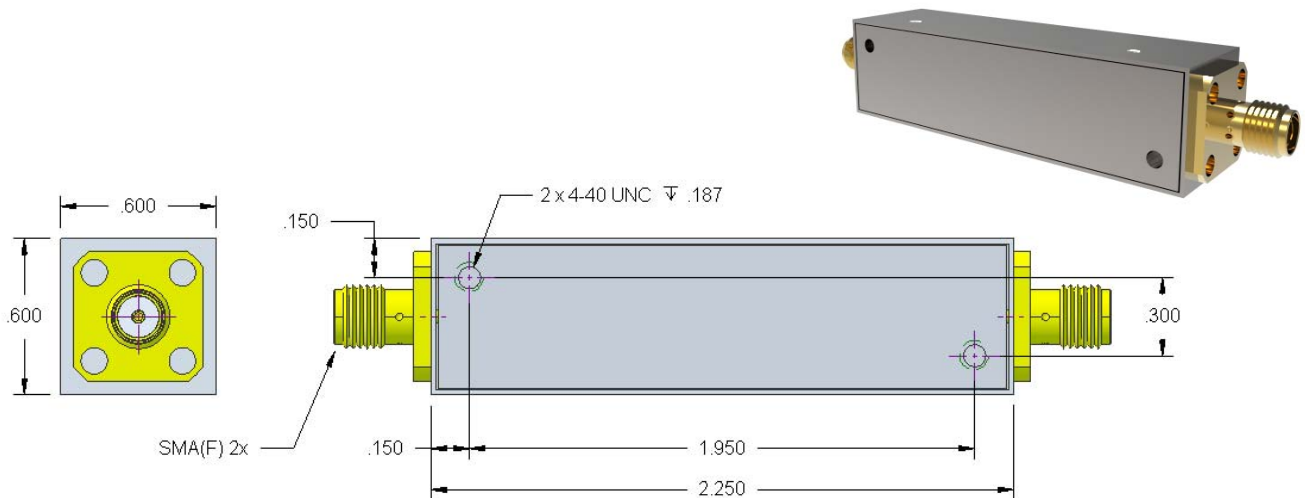
Web www.krfilters.com
Email sales@krfilters.com
Phone (732) 636-1900
Fax (732) 636-1982

KR Electronics 3333-SMA

Specifications

Parameter	Specification	
Filter type	Bandpass	
Center Frequency	49.5 MHz	
Insertion Loss	8.5 dBa max	6.1 dBa typical
1 dBc Bandwidth	1.00 MHz min	
3 dBc Bandwidth	1.67 MHz typical	
20 dBc Bandwidth	3.00 MHz typical	
40 dBc Bandwidth	4.70 MHz typical	
60 dBc Bandwidth	7.30 MHz max	
Source and Load	50 Ω	

Physical Dimensions



Notes:

1. Dimensions in inches
2. Rectangular case

KR Electronics, Inc.
91 Avenel Street
Avenel, NJ 07001

Web www.krfilters.com
Email sales@krfilters.com
Phone (732) 636-1900
Fax (732) 636-1982