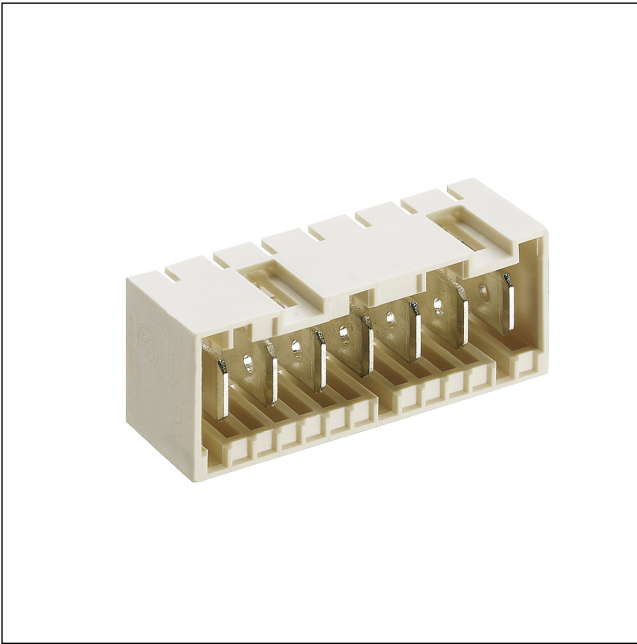


36

3642

RAST 5 connectors, pitch 5.0 mm



RAST 5 tab header, angular, with topside lock

---

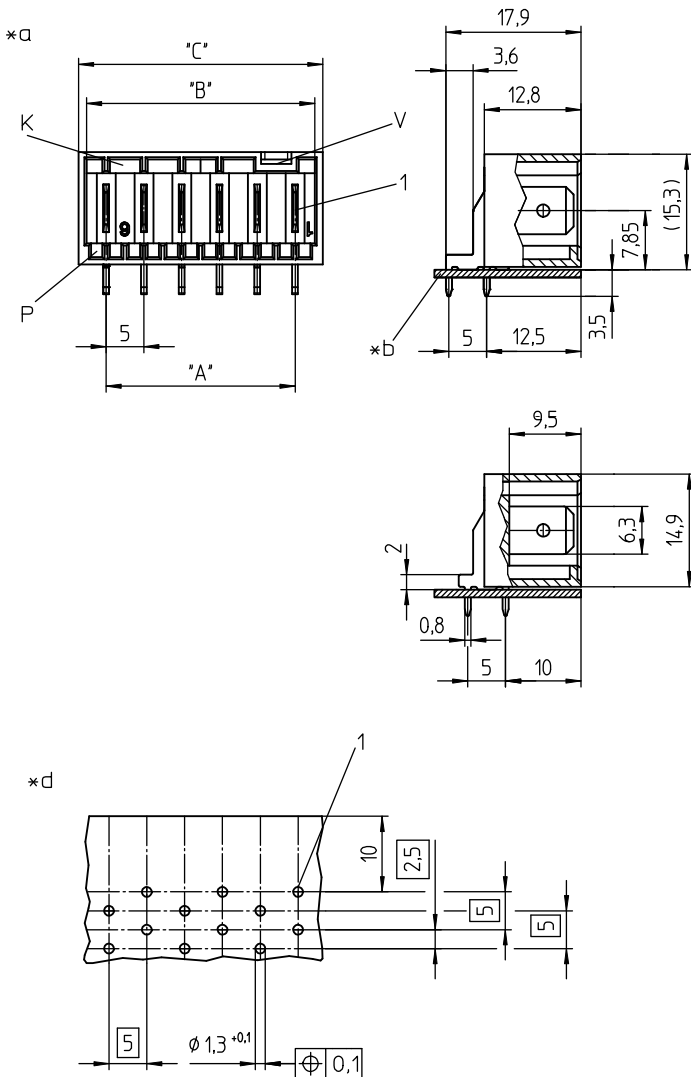
State: Active

---

Approvals:



36 3642



- \*a K = keying  
P = positioning  
V = space for lock
- \*b printed circuit board
- \*d printed circuit board layout, solder side view


#### Environmental conditions

Temperature range -40 °C/+120 °C

#### Materials

Insulating body PA GF, V-0 according to UL94<sup>1</sup>  
 Contact tab CuZn, pre-nickel and tin-plated  
<sup>1</sup> 1 component glow wire resistant (GWT 750 °C), testing acc. to IEC 60695-2-11, assessment acc. to IEC 60335-1 (flame < 2 s)

#### Mechanical data

Contact tab 6.3 x 0.8 mm according to DIN 42644  
 Keying proposals at [www.lumberg.com](http://www.lumberg.com) 

#### Electrical data (at T<sub>amb</sub> 20 °C)

Rated current 10 A (T<sub>v</sub> 70 °C)  
 Rated voltage 250 V AC  
 Material group IIIa (IEC)/2 (UL) (CTI ≥ 250)  
 Creepage distance 4,2 mm  
 Clearance 4,2 mm  
 Insulation resistance > 10 GΩ

#### Associated products

Counterparts  
 3611  3615  3615-1  
 3615-2  3615-3  3623  
 3623 01 V01  3626

36

3642

Designation	Pole Number	PU (Pieces)	MDQ (Pieces)	Dimensions		
				A (mm)	B (mm)	C (mm)
3642 02	2	250	1000	5	10.2	12.3
3642 03	3	250	1000	10	15.2	17.3
3642 04	4	250	1000	15	20.2	22.3
3642 05	5	250	1000	20	25.2	27.3
3642 06	6	250	1000	25	30.2	32.3
3642 07	7	250	1000	30	35.2	37.3
3642 08	8	250	1000	35	40.2	42.3
3642 09	9	250	1000	40	45.2	47.3
3642 10	10	250	1000	45	50.2	52.3
3642 11	11	250	1000	50	55.2	57.3
3642 12	12	250	1000	55	60.2	62.3

Designation to be completed by further details (e.g. for keying, color or material options).

**Packaging:**

in bulk, in a cardboard box