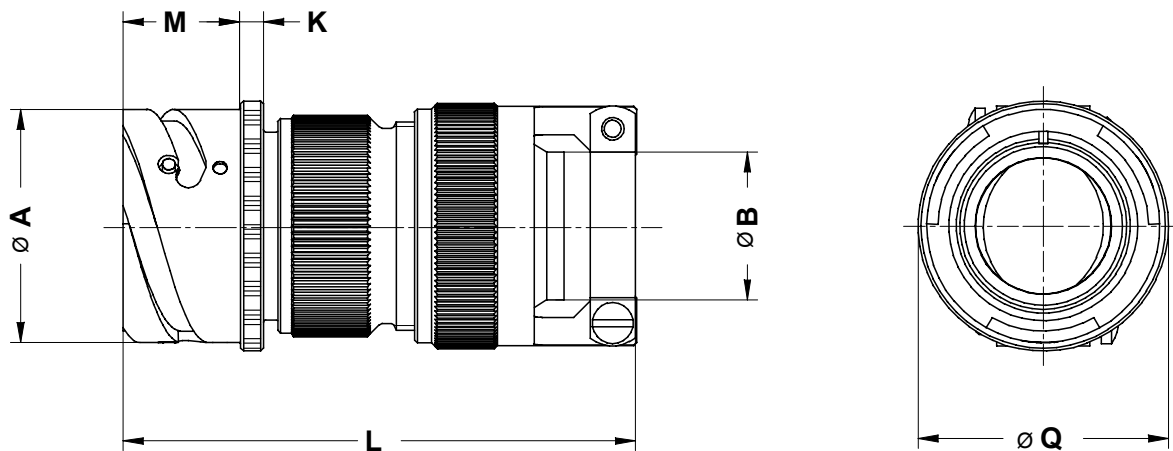
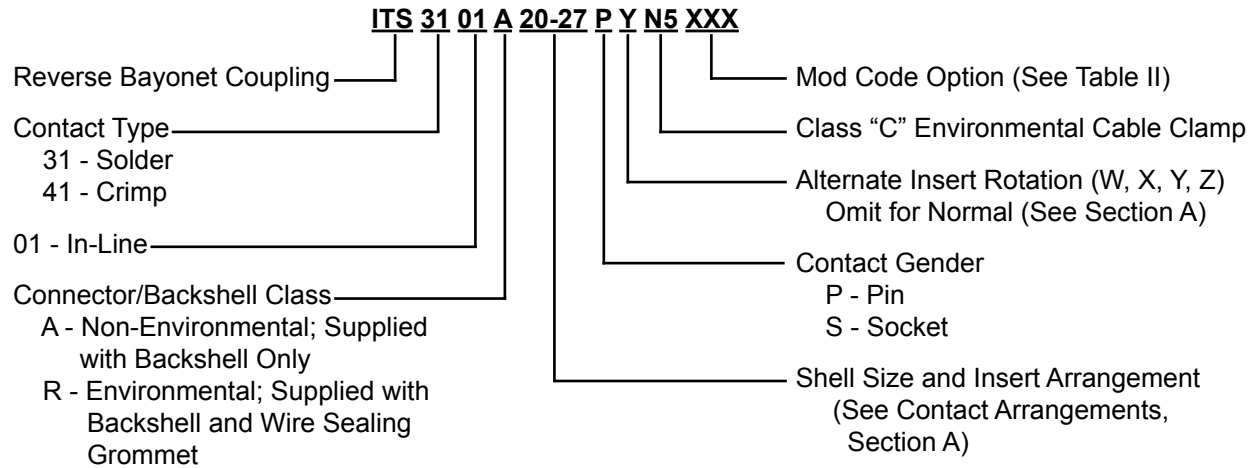


**ITS 3101 A (N5) and ITS 3101 R (N5)
ITS 4101 A (N5) and ITS 4101 R (N5)
In-Line Cylindrical Receptacle Assembly
with Class C (Environmental) IT3057 Cable Clamp**



Application Notes:

1. In-line receptacle with a class C (environmental) IT3057 cable clamp for use with jacketed cable.
2. Connector/Backshell Class "A" (non-environmental)—Not supplied with wire sealing grommet; Class "R" (environmental)—Supplied with backshell and grommet.
3. Standard materials configuration consists of aluminum alloy. For platings, see TABLE II finish options.
4. Standard contact material consists of copper alloy with silver plating or gold plating.
5. A broad range of additional connector accessories are available. See our website and/or contact the factory for complete information.
6. Standard insert material is synthetic rubber. Add "FR" prefix to front of part number to specify fire resistant inserts.

TABLE I: DIMENSIONS

Shell Size	ØA +0 -0.1	ØB		K ±0.2	L Max.	M +0.2 -0	ØQ ±0.1
		Open	Closed				
10 SL	18.2	7.93	2.38	2.8	73	14.3	21.8
14 S	24.5	11.12	5.84	3.3	77	14.5	28.8
16 S	27.2	13.48	8.00	3.3	77	14.5	30.5
16	27.2	13.48	8.00	3.3	88	19.1	30.5
18	30.7	15.87	9.60	4.0	91	19.1	33.8
20	34.0	19.00	11.30	4.0	91	19.1	36.9
22	37.3	19.00	11.30	4.0	92	19.6	39.5
24	40.9	23.80	15.50	4.0	97	20.6	43.9
28	46.7	23.80	15.50	4.0	103	20.7	48.4
32	53.4	31.75	23.40	4.0	113	22.3	56.0
36	59.6	35.00	23.40	4.0	120	22.3	62.4
40	65.5	41.25	29.90	4.0	135	22.3	68.6

TABLE II: MODIFICATION CODES

CONTACT OPTIONS	
Sym	Description
B0	Connector Less Contacts
B1	Connector with Gold Plated Contacts
Omit for standard version (Silver plated)	
FINISH OPTIONS	
Sym	Description and RoHS compliant (*)
F2	Bright Nickel Plating (*)
F6	Black Electrodeposited Paint (*)
F7	Black Zn-Co Plating (*)
F8	Olive Drab Zn-Co Plating
F11	Electroless Nickel (*)
Omit for standard version (Cadmium Olive Drab Finish)	