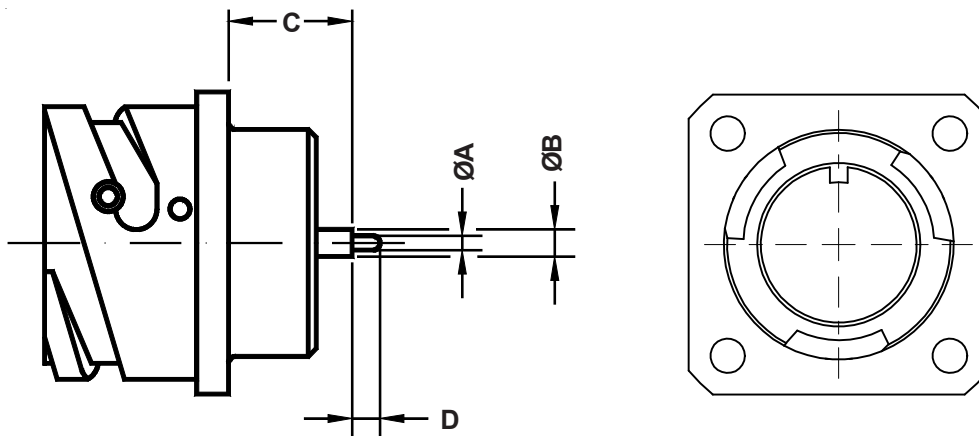
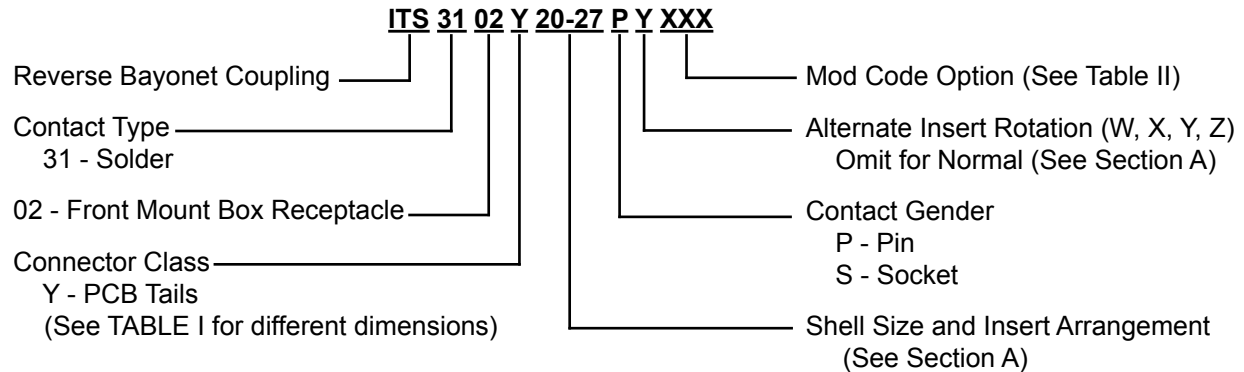


ITS 3102 (Y) Front Panel Mount Square Flange Receptacle with PCB Contacts No Accessory Threads



Application Notes:

1. Front panel mount square flange receptacle with PCB contacts and no accessory threads. Contact factory for custom tail lengths.
2. Through mounting holes.
3. Standard materials configuration consists of aluminum alloy. For platings, see TABLE II finish options.
4. Standard contact material consists of copper alloy with silver plating or gold plating.
5. Standard insert material is synthetic rubber.
Add "FR" prefix to front of part number to specify fire resistant inserts.

ITS 3102 (Y)
Front Panel Mount Square Flange Receptacle
with PCB Contacts
No Accessory Threads



TABLE I: Y SIZE 16 AND 12 CONTACTS

Shell size	Y#12				Y#16			
	A	B	C	D	A	B	C	D
10 SL	-	-	-	-	-	-	-	-
14 S	-	-	-	-	-	-	-	-
16 S	-	-	-	-	-	-	-	-
16	1.8	3.4	17.85	3.5	0.8	1.8	17.85	3.5
18	1.8	3.4	17.05	3.5	0.8	1.8	17.05	3.5
20	1.8	3.4	17.05	3.5	0.8	1.8	17.05	3.5
22	1.8	3.4	16.55	3.5	0.8	1.8	16.55	3.5
24	1.8	3.4	15.45	3.5	0.8	1.8	15.45	3.5
28	1.8	3.4	16.25	3.5	0.8	1.8	16.25	3.5
32	1.8	3.4	13.85	3.5	0.8	1.8	13.85	3.5
36	1.8	3.4	13.85	3.5	0.8	1.8	13.85	3.5
40	1.8	3.4	13.85	3.5	0.8	1.8	13.85	3.5

Please consult the factory for different PCB tail lengths

TABLE II: OTHER CONTACTS - SIZE 16 ONLY

Shell size	DS1				YL5				YL7			
	A	B	C	D	A	B	C	D	A	B	C	D
10 SL	0.8	1.8	13.80	3.6	-	-	-	-	-	-	-	-
14 S	0.8	1.8	12.40	3.6	-	-	-	-	-	-	-	-
16 S	0.8	1.8	12.40	3.6	-	-	-	-	-	-	-	-
16	0.8	1.8	14.60	3.6	0.8	1.8	17.85	5.0	0.8	1.8	14.35	7.0
18	0.8	1.8	13.80	3.6	0.8	1.8	17.05	5.0	0.8	1.8	13.55	7.0
20	0.8	1.8	13.80	3.6	0.8	1.8	17.05	5.0	0.8	1.8	13.55	7.0
22	0.8	1.8	13.30	3.6	0.8	1.8	17.05	5.0	0.8	1.8	13.55	7.0
24	0.8	1.8	12.20	3.6	0.8	1.8	15.40	5.0	0.8	1.8	11.9	7.0
28	0.8	1.8	13.00	3.6	0.8	1.8	15.40	5.0	0.8	1.8	11.9	7.0
32	-	-	-	-	0.8	1.8	16.70	5.0	-	-	-	-
36	-	-	-	-	0.8	1.8	16.70	5.0	-	-	-	-
40	-	-	-	-	0.8	1.8	16.70	5.0	-	-	-	-

TABLE III: FINISH OPTIONS

Sym	Description and RoHS compliant (*)
F2	Bright Nickel Plating (*)
F6	Black Electrodeposited Paint (*)
F7	Black Zn-Co Plating (*)
F8	Olive Drab Zn-Co Plating
F11	Electroless Nickel (*)
	Omit for standard version (Cadmium Olive Drab Finish)

TABLE IV: MODIFICATION CODES

CONTACT OPTIONS	
Sym	Description
B1	Connector with Gold Plated Contacts
	Omit for standard version (Silver plated)

