



## MAX8844Z Evaluation Kit

### General Description

The MAX8844Z evaluation kit (EV kit) is a fully assembled and tested PCB for evaluating the MAX8844Z/MAX8844Y 28V linear Li+ battery chargers. The MAX8844Z EV kit operates from two power sources (USB or IN) and automatically selects between the two. The IC disables charging if the input sources exceed 7.5V to protect against unqualified or faulty AC adapters.

The MAX8844Z EV kit features two input overvoltage-protected LDO outputs (SAFEOUT, SAFEUSB) for low-voltage-rated USB or charger inputs in the system, and a battery pack detection circuit (DETBAT) that disables the IC when the battery pack is absent. The MAX8844Z EV kit also features an adjustable fast-charge current set by an external resistor (R1) and an adjustable top-off current threshold set by an external resistor (R2).

Other features include an active-low control input ( $\overline{EN}$ ) and an active-low input power source detection output (POK). The IC also contains a booting assistant circuit that distinguishes input sources and battery connection, and provides an output signal (MAX8844Z = ABO, MAX8844Y =  $\overline{ABO}$ ) for system booting.

To evaluate the MAX8844Y version, sample the MAX8844YETD+ along with the MAX8844ZEVKIT+ and see the *Evaluating the MAX8844Y* section.

### Features

- ◆ CCCV, Thermally Regulated Linear Single-Cell Li+ Battery Charger
- ◆ No External MOSFET, Reverse-Blocking Diode, or Current-Sense Resistor
- ◆ Programmable Fast-Charge Currents (1A<sub>RMS</sub> max)
- ◆ Programmable Top-Off Current Threshold (min)
- ◆ Input Overvoltage Protected 4.7V Output (SAFEOUT) from DC
- ◆ Input Overvoltage-Protected 4.7V Output (SAFEUSB) from USB
- ◆ Proprietary Die Temperature Regulation Control (+115°C)
- ◆ 4.25V to 28V Input-Voltage Range with Input Overvoltage Protection Above +7.5V
- ◆ Low-Dropout Voltage (300mV at 500mA)
- ◆ Input Power-Source Detection Output ( $\overline{POK}$ ), Charge Status Output ( $\overline{CHG}$ ), and Charge-Enable Input ( $\overline{EN}$ )
- ◆ Output for Autobooting (MAX8844Z = ABO, MAX8844Y =  $\overline{ABO}$ )
- ◆ Lead(Pb)-Free and RoHS Compliant

### Ordering Information

PART	TYPE
MAX8844ZEVKIT+	EV Kit

+Denotes lead(Pb)-free and RoHS compliant.

### Component List

DESIGNATION	QTY	DESCRIPTION
C1, C6	2	1 $\mu$ F $\pm$ 10%, 35V X5R ceramic capacitors (0603) Taiyo Yuden GMK107BJ105KA
C2	1	2.2 $\mu$ F $\pm$ 10%, 10V X5R ceramic capacitor (0603) Taiyo Yuden LMK107BJ225KA Murata GRM188R61A225KE34
C3	1	0.1 $\mu$ F $\pm$ 10%, 16V X7R ceramic capacitor (0402) TDK C1005X7R1C683K

DESIGNATION	QTY	DESCRIPTION
C4, C7	2	1 $\mu$ F $\pm$ 10%, 10V X5R ceramic capacitors (0402) Murata GRM155R61A105K
C5	0	Not installed, capacitor
D1, D2	2	Red LEDs Panasonic LNJ208R8ARA
JU1–JU4	4	2-pin headers, 0.1in center Sullins PEC36SAAN Digi-Key S1012E-36-ND
R1	1	2.8k $\Omega$ $\pm$ 1% resistor (0402), lead free



# MAX8844Z Evaluation Kit

## Component List (continued)

DESIGNATION	QTY	DESCRIPTION
R2	1	1.74k $\Omega$ $\pm$ 1% resistor (0402), lead free
R3, R4	2	200 $\Omega$ $\pm$ 5% resistors (0402), lead free
R5	1	4.7k $\Omega$ $\pm$ 5% resistor (0402), lead free
R6, R7	0	Not installed, resistors—PCB short (0402)

DESIGNATION	QTY	DESCRIPTION
R8	1	200k $\Omega$ $\pm$ 5% resistor (0402), lead free
U1	1	28V linear Li+ battery charger (14 TDFN-EP*) Maxim MAX8844ZETD+ (Top Mark: AEK)
—	1	PCB: MAX8844Z Evaluation Kit+

\*EP = Exposed pad.

## Component Suppliers

SUPPLIER	PHONE	WEBSITE
Digi-Key Corp.	800-344-4539	www.digikey.com
Murata Electronics North America, Inc.	770-436-1300	www.murata-northamerica.com
Panasonic Corp.	800-344-2112	www.panasonic.com
Sullins Electronics Corp.	760-744-0125	www.sullinselectronics.com
Taiyo Yuden	800-348-2496	www.t-yuden.com
TDK Corp.	847-803-6100	www.component.tdk.com

**Note:** Indicate that you are using the MAX8844Z when contacting these component suppliers.

## Quick Start

### Recommended Equipment

- Two 4V to 28V adjustable power supplies (PS1, PS2) capable of 1A each
- One 5V power supply (PS3) capable of 100mA
- Four digital multimeters (DMM1–DMM4)
- One 10A ammeter
- One single-cell lithium-ion (Li+) battery (not fully charged)

### Procedure

The MAX8844Z EV kit is a fully assembled and tested surface-mount board. Follow the steps below and Figure 1 to set up and verify the MAX8844Z and board operation. **Caution: Do not turn on the power supplies until all connections are completed.**

- 1) Preset the power supply (PS1) to 5V. Turn off the power supply. **Do not turn on the power supply until all connections are completed.**
- 2) Preset the power supply (PS2) to 5V. Turn off the power supply. **Do not turn on the power supply until all connections are completed.**
- 3) Preset the power supply (PS3) to 5V. Turn off the power supply. **Do not turn on the power supply until all connections are completed.**
- 4) Verify that a shunt is installed on JU1 ( $\overline{EN}$ ) to set the EV kit in disable mode.
- 5) Verify that a shunt is installed on JU2 (DETBAT).
- 6) Verify that JU3 and JU4 are open and shunts are not installed.
- 7) Connect the positive lead of the power supply (PS1) to the EV kit pad labeled IN. Connect the negative lead of the power supply to the EV kit pad labeled GND.
- 8) Connect the positive lead of the power supply (PS2) to the EV kit pad labeled USB. Connect the negative lead of the power supply to the EV kit pad labeled GND.
- 9) Connect the positive lead of the power supply (PS3) to the EV kit pad labeled VI/O. Connect the negative lead of the power supply to the EV kit pad labeled GND.
- 10) Observe correct Li+ cell polarity. Connect the single-cell Li+ battery and 10A ammeter, as shown in Figure 1. The positive lead of the ammeter must

# MAX8844Z Evaluation Kit

connect to BATT+ and the negative lead to the positive terminal of the Li+ battery.

- 11) Connect a digital multimeter (DMM1) across the Li+ battery. Connect the positive terminal of DMM1 to the positive terminal of the Li+ battery. Connect the negative terminal of DMM1 to the negative terminal of the Li+ battery and note the battery voltage. If  $V_{BATT} < 2.5V$ , the charger starts in precharge mode. If  $V_{BATT} \geq 2.5V$ , the charger starts up in fast-charge mode.
- 12) Connect a digital multimeter (DMM2) from ABO (MAX8844Z only) to GND.
- 13) Connect a digital multimeter (DMM3) from SAFEOUT to GND.
- 14) Connect a digital multimeter (DMM4) from SAFEUSB to GND.
- 15) Turn on PS1 and then turn on PS3.
- 16) Remove the shunt on JU1 to set the EV kit in enable mode.
- 17) Verify that D2 is emitting light, indicating that  $\overline{POK}$  is low.
- 18) Verify that the voltage read by DMM3 is approximately 4.7V.
- 19) If the charger is in fast-charge mode, verify that the ammeter reads approximately 440mA. If the charger is in precharge mode, verify that the ammeter reads approximately 48mA.
- 20) Verify that D1 is emitting light, indicating that  $\overline{CHG}$  is low and the battery charger is on.  
**Note:** If the battery is fully charged, D1 will not emit light.
- 21) Verify that the voltage read by DMM2 is approximately the same voltage read by DMM1.
- 22) When the battery is fully charged, DMM1 reads 4.2V.
- 23) Remove the shunt on JU2 and verify that D1 and D2 are not emitting light.
- 24) Install a shunt on JU2.
- 25) Turn off the input power supply (PS1).
- 26) Verify that D2 is not emitting light and the voltage read by DMM2 is 0V.
- 27) Install a shunt on JU4.
- 28) Verify that the voltage read at DMM2 is approximately the same voltage read by DMM1.
- 29) Increase PS1 to 8V.
- 30) Verify that D1 and D2 are not emitting light and the voltage read by DMM3 is 0V.

- 31) Install a shunt on JU1.
- 32) Turn off PS1 and then turn on PS2.
- 33) Remove the shunt on JU1 to set the EV kit in enable mode.
- 34) Verify that D2 is emitting light, indicating  $\overline{POK}$  is low.
- 35) Verify that the voltage read by DMM4 is approximately 4.7V.
- 36) If the charger is in fast-charge mode, verify that the ammeter reads approximately 380mA. If the charger is in precharge mode, verify that the ammeter reads 48mA.
- 37) Verify that D1 is emitting light, indicating that  $\overline{CHG}$  is low and the battery charger is on.  
**Note:** If the battery is fully charged, D1 will not emit light.
- 38) Increase PS2 to 8V.
- 39) Verify that D1 and D2 are not emitting light and the voltage on DMM4 is 0V.

When evaluation of the MAX8844Z EV kit is completed, use the following steps to power down the EV kit:

- 1) Install a shunt on JU1.
- 2) Turn off all power supplies.
- 3) Remove the battery.
- 4) Disconnect all test leads from the EV kit.

## — Detailed Description of Hardware

The MAX8844Z/MAX8844Y chargers use voltage, current, and thermal-control loops to charge a single Li+ cell and protect the battery. When a Li+ battery with a cell voltage below 2.5V is inserted, the MAX8844Z/MAX8844Y chargers enter a prequalification stage where it precharges that cell with 10% of the user-programmed fast-charge current. The  $\overline{CHG}$  indicator is driven low to indicate entry into the prequalification state. When the battery voltage exceeds 2.5V, the IC soft-starts as it enters the fast-charge stage. The fast-charge current level is programmed through a resistor from SET1 to GND. As the battery voltage approaches 4.2V, the battery current is reduced. If the battery current drops to less than the top-off current threshold set by  $R_{MIN}$ , the IC enters top-off mode and the  $\overline{CHG}$  indicator goes high impedance, signaling that the battery is fully charged.

### Overvoltage-Protected Output (SAFEOUT)

SAFEOUT is a linear regulator that provides an output voltage of 4.7V and can be used to supply low-voltage-

# MAX8844Z Evaluation Kit

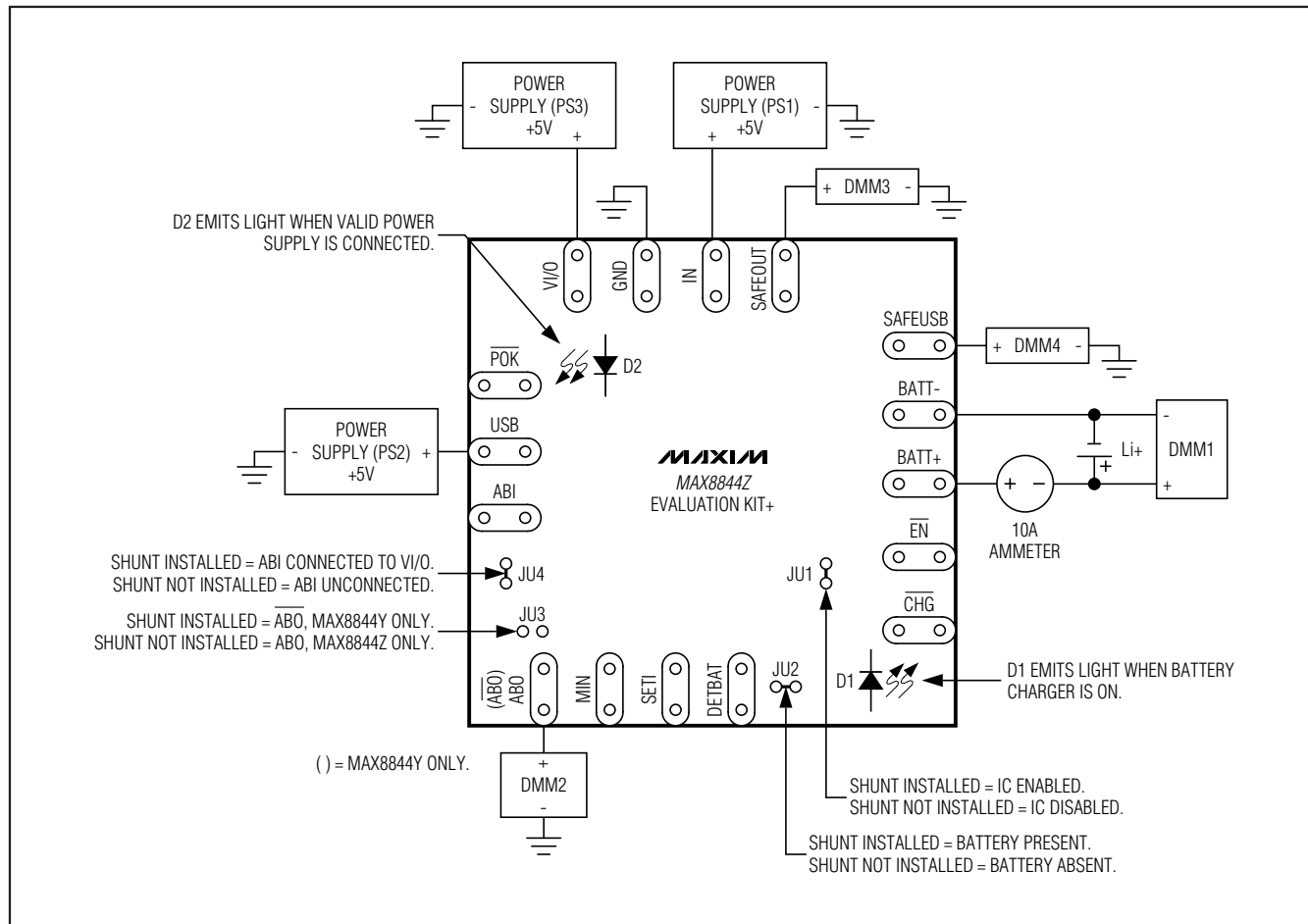


Figure 1. Test Procedure Setup for MAX8844Z EV Kit

Table 1. Jumper Settings (JU1–JU4)

JUMPER	DEFAULT SETTINGS	FUNCTION
JU1	Installed	JU1 connects $\overline{\text{EN}}$ (active-low enable input) to V/I/O (system supply). Install a shunt on JU1 to disable the IC. $\overline{\text{EN}}$ has an internal pull-down resistor to GND. Leave JU1 open to enable the IC.
JU2	Installed	JU2 connects DETBAT (battery pack ID resistor detection input) to GND through R5. Install a shunt on JU2 to simulate battery present. Leave JU2 open to simulate battery absent.
JU3	Not installed	Leave JU3 open when evaluating the MAX8844Z with an active-high autobooting logic output (ABO). Install a shunt on JU3 to connect $\overline{\text{ABO}}$ to the V/I/O supply through R8 in order to achieve a logic-high output on the drain of the internal open-drain MOSFET (MAX8844Y only).
JU4	Not installed	JU4 connects ABI (autobooting input) to V/I/O (system supply). Install a shunt on JU4 to connect ABI to V/I/O. Leave JU4 open to leave ABI unconnected and when ABI is driven by an external source.

# MAX8844Z Evaluation Kit

Evaluates: MAX8844Z/MAX8844Y

rated charging systems. The SAFEOUT linear regulator turns on when  $V_{IN} \geq 4.25V$  regardless of  $\overline{EN}$  and is disabled when  $V_{IN}$  is greater than the overvoltage threshold (7.5V typ).

### Overvoltage Protected Output (SAFEUSB)

SAFEUSB is a linear regulator that provides an output voltage of 4.7V and can be used to supply low-voltage-rated USB systems. The SAFEUSB linear regulator turns on when  $V_{USB} \geq 4.25V$  regardless of  $\overline{EN}$  and is disabled when  $V_{USB}$  is greater than the overvoltage threshold (7.5V typ).

### Battery Pack Detection Input (DETBAT)

DETBAT is a battery pack ID resistor detector that enables the battery charger if pulled low through a resistor that is  $< 51k\Omega$ . By installing a shunt on JU2, DETBAT is pulled to ground through R5 (4.7k $\Omega$ ). If DETBAT is left unconnected, or the pulldown resistor is 51k $\Omega$  or greater, the battery charger is disabled.

### $\overline{POK}$ Output

The open-drain  $\overline{POK}$  output asserts low when  $2.35V \leq (V_{IN} \text{ or } V_{USB}) \leq 7V$ ,  $[(V_{IN} \text{ or } V_{USB}) - V_{BATT}] \geq 40mV$  (typ  $V_{IN}$  or  $V_{USB}$  rising), and DETBAT is pulled low through a resistor that is  $< 51k\Omega$ .  $\overline{POK}$  is high impedance during shutdown. When interfacing with a microprocessor logic input, a pullup resistor to the microprocessor's I/O voltage may be required. If DETBAT is not used, connect DETBAT to GND for normal operation.

### Autobooting Assistant

The MAX8844Z/MAX8844Y contain an autobooting assistant circuit that generates an enable signal for system booting (MAX8844Z = ABO, MAX8844Y =  $\overline{ABO}$ ). The booting assistant functions as an internal OR gate (refer to the MAX8844Z/MAX8844Y IC data sheet). The first input is dependent on the input supply voltage ( $V_{IN}$  or  $V_{USB}$ ) and DETBAT, while the second input is an external signal applied to ABI. The first input ( $\overline{POK}$ ) is driven high once DETBAT is pulled low through a resistor  $< 51k\Omega$ ,  $2.35V \leq (V_{IN} \text{ or } V_{USB}) \leq 7V$ , and  $[(V_{IN} \text{ or } V_{USB}) - V_{BATT}] \geq 40mV$  (typ  $V_{IN}$  or  $V_{USB}$  rising).

The second input signal (ABI) is driven by an external source (see Table 2). ABI enables an autoboot signal when a battery is connected at BATT and is independent of  $\overline{POK}$ . If  $\overline{POK}$  is pulled low, the booting assistant always drives ABO high (MAX8844Z) or  $\overline{ABO}$  low (MAX8844Y), regardless of ABI. ABI is pulled to GND through an internal 200k $\Omega$  resistor. If ABI is supplied from an outside exposed pin, an RC filter (R1/C2 in Figure 2) is required for ESD protection and noise filtering. If ABI is supplied by a system's internal GPIO, or logic, the RC filter is not required.

### Charger Enable Input

The MAX8844Z EV kit contains an active-low logic input ( $\overline{EN}$ ) used to enable the IC. Drive  $\overline{EN}$  low, leave JU1 unconnected, or connect  $\overline{EN}$  to GND to enable the charge-control circuitry. Drive  $\overline{EN}$  high to disable the charge-control circuitry.  $\overline{EN}$  has an internal 200k $\Omega$  pull-down resistor.

### Fast-Charge Current Setting

The maximum charging current is programmed by an external resistor connected from SET1 to GND (R1 in Figure 2). Use the following equation to determine the fast-charge current (I<sub>FAST\_CHARGE</sub>):

$$I_{FAST\_CHARGE} = \frac{1250V}{R_{SET1}}$$

where I<sub>FAST\_CHARGE</sub> is in amperes and R<sub>SET1</sub> is in ohms. R<sub>SET1</sub> must always be 1.25k $\Omega$  or higher due to the continuous charging current limit of 1ARMS. The voltage at SET1 can be used to monitor the fast-charge current level. The output current from SET1 is 1120 $\mu$ A per ampere of charging current. The output voltage at SET1 is proportional to the charging current:

$$V_{SET1} = \frac{I_{CHARGE} \times R_{SET1}}{1120}$$

The voltage at SET1 is nominally 1.4V at the selected fast-charge current, and falls with charging current as the cell becomes fully charged or as the thermal-regulation circuitry activates.

**Table 2. Autobooting Output States**

ABI	BATT	$\overline{POK}$	CHARGER STATE	ABO (MAX8844Z)	$\overline{ABO}$ (MAX8844Y)
Low	Present	High impedance	Shutdown	Low	High impedance
High	Present	High impedance	Shutdown	High	Low
Low	Not present	Low	Fast charge/top off	High	Low
Low	Present	Low	Fast charge/top off	High	Low

**Note:** Present indicates that  $V_{BATT} \geq 2V$  and not present indicates that battery is not connected.



# MAX8844Z Evaluation Kit

## Top-Off Current Threshold Setting

The top-off current threshold is programmed by an external resistor connected from MIN to GND (R2 in Figure 2). Use the following equation to determine the top-off current ( $I_{MIN}$ ):

$$I_{MIN} = \frac{125V}{R_{MIN}}$$

where  $I_{MIN}$  is in amperes and  $R_{MIN}$  is in ohms.

## DC and USB Power Supplies

The IC operates from well-regulated DC sources and automatically selects between both input power-supply connections (see Table 3). If both sources are present at the same time, highest priority is given to the IN source. The IN source is selected to ensure the shortest charging time for the system since it is able to deliver the highest current. The USB fast-charge current is fixed at 380mA.

The full charging input-voltage range for IN and USB is 4.25V to 7.5V. The device can withstand up to 28V on both inputs (IN and USB) without damage to the IC. If  $V_{IN}$  or  $V_{USB}$  is  $> 7.5V$ , the internal overvoltage-protection circuitry disables charging until the input falls below 7.5V. The power supplies must provide at least 4.25V at the desired peak charging current and stay below 7V when unloaded.

## Thermal Regulation

The thermal-regulation loop limits the MAX8844Z/MAX8844Y die temperature to  $+115^{\circ}C$  by reducing the charge current, as necessary. This feature not only protects the IC from overheating, but also allows a higher charge current without risking damage to the IC.

## Evaluating the MAX8844Y

To evaluate the MAX8844Y version, order the MAX8844YETD+ along with the MAX8844ZEVKIT+.

Remove U1 and replace with the MAX8844YETD+ (Top Mark: AEN) and install a shunt on JU3. The MAX8844Y features an active-low autobooting logic output ( $\overline{ABO}$ ) and requires an external power supply ( $V_{I/O}$  on the MAX8844Z EV kit) to achieve logic-high.

To evaluate the MAX8844Y and board operation, see Figures 1 and 3 and follow the same steps as listed in the *Quick Start/Procedures* section, but with the following procedure:

- 1) Preset the power supply (PS1) to 5V. Turn off the power supply. **Do not turn on the power supply until all connections are completed.**
- 2) Preset the power supply (PS2) to 5V. Turn off the power supply. **Do not turn on the power supply until all connections are completed.**
- 3) Preset the power supply (PS3) to 5V. Turn off the power supply. **Do not turn on the power supply until all connections are completed.**
- 4) Verify that a shunt is installed on JU1 ( $\overline{EN}$ ) to set the EV kit in disable mode.
- 5) Verify that a shunt is installed on JU2 (DETBAT).
- 6) Verify that a shunt is installed on JU3. Verify that JU4 is open and a shunt is not installed.
- 7) Connect the positive lead of the power supply (PS1) to the EV kit pad labeled IN. Connect the negative lead of the power supply to the EV kit pad labeled GND.
- 8) Connect the positive lead of the power supply (PS2) to the EV kit pad labeled USB. Connect the negative lead of the power supply to the EV kit pad labeled GND.
- 9) Connect the positive lead of the power supply (PS3) to the EV kit pad labeled  $V_{I/O}$ . Connect the negative lead of the power supply to the EV kit pad labeled GND.

**Table 3. Input Power-Supply Selection**

IN	USB	CHARGER STATE
$4.25V \leq V_{IN} \leq 7V$	$4.25V \leq V_{USB} \leq 7V$	Enabled (selects IN power supply)
$4.25V \leq V_{IN} \leq 7V$	Not present	Enabled (selects IN power supply)
Not present	$4.25V \leq V_{USB} \leq 7V$	Enabled (selects USB power supply)
$V_{IN} \geq 7.5V$	$4.25V \leq V_{USB} \leq 7V$	Disabled
$4.25V \leq V_{IN} \leq 7V$	$V_{USB} \geq 7.5V$	Enabled

## MAX8844Z Evaluation Kit

- 10) **Observe correct Li+ cell polarity.** Connect a single-cell Li+ battery and 10A ammeter, as shown in Figure 1. The positive lead of the ammeter must connect to BATT+ and the negative lead to the positive terminal of the Li+ battery.
  - 11) Connect a digital multimeter (DMM1) across the Li+ battery. Connect the positive terminal of DMM1 to the positive terminal of the Li+ battery. Connect the negative terminal of DMM1 to the negative terminal of the Li+ battery and note the battery voltage. If  $V_{BATT} < 2.5V$ , the charger starts in precharge mode. If  $V_{BATT} \geq 2.5V$ , the charger starts in fast-charge mode.
  - 12) Connect a digital multimeter (DMM2) from  $\overline{ABO}$  (MAX8844Y only) to GND.
  - 13) Connect a digital multimeter (DMM3) from SAFEOUT to GND.
  - 14) Connect a digital multimeter (DMM4) from SAFEUSB to GND.
  - 15) Turn on PS1 and then turn on PS3.
  - 16) Remove the shunt on JU1 to set the EV kit in enable mode.
  - 17) Verify that D2 is emitting light indicating  $\overline{POK}$  is low.
  - 18) Verify that the voltage read by DMM3 is approximately 4.7V.
  - 19) If the charger is in fast-charge mode, verify that the ammeter reads approximately 440mA. If the charger is in precharge mode, verify that the ammeter reads 48mA.
  - 20) Verify that D1 is emitting light indicating that  $\overline{CHG}$  is low and the battery charger is on. **Note:** If the battery is fully charged, D1 will not emit light.
  - 21) Verify that the voltage read by DMM2 is 0V.
  - 22) When the battery is fully charged, DMM1 reads 4.2V.
  - 23) Remove the shunt on JU2 and verify that D1 and D2 are not emitting light.
  - 24) Install a shunt on JU2.
  - 25) Turn off the input power supply (PS1).
  - 26) Verify that D2 is not emitting light and the voltage read by DMM2 is 5V.
  - 27) Install a shunt on JU4.
  - 28) Verify that the voltage read at DMM2 is approximately 5V.
  - 29) Increase PS1 to 8V.
  - 30) Verify that D1 and D2 are not emitting light and the voltage read by DMM3 is 0V.
  - 31) Install a shunt on JU1.
  - 32) Turn off PS1 and then turn on PS2.
  - 33) Remove the shunt on JU1 to set the EV kit in enable mode.
  - 34) Verify that D2 is emitting light indicating  $\overline{POK}$  is low.
  - 35) Verify that the voltage read by DMM4 is approximately 4.7V.
  - 36) If the charger is in fast-charge mode, verify that the ammeter reads approximately 380mA. If the charger is in precharge mode, verify that the ammeter reads 48mA.
  - 37) Verify that D1 is emitting light indicating that  $\overline{CHG}$  is low and the battery charger is on. **Note:** If the battery is fully charged D1 will not emit light.
  - 38) Increase PS2 to 8V.
  - 39) Verify that D1 and D2 are not emitting light and the voltage on DMM4 is 0V.
- When evaluation of the MAX8844Z EV kit is completed, use the following steps to power down the EV kit:
- 1) Install a shunt on JU1.
  - 2) Turn off all power supplies.
  - 3) Remove the battery.
  - 4) Disconnect all test leads from the EV kit.

Evaluates: MAX8844Z/MAX8844Y

# MAX8844Z Evaluation Kit

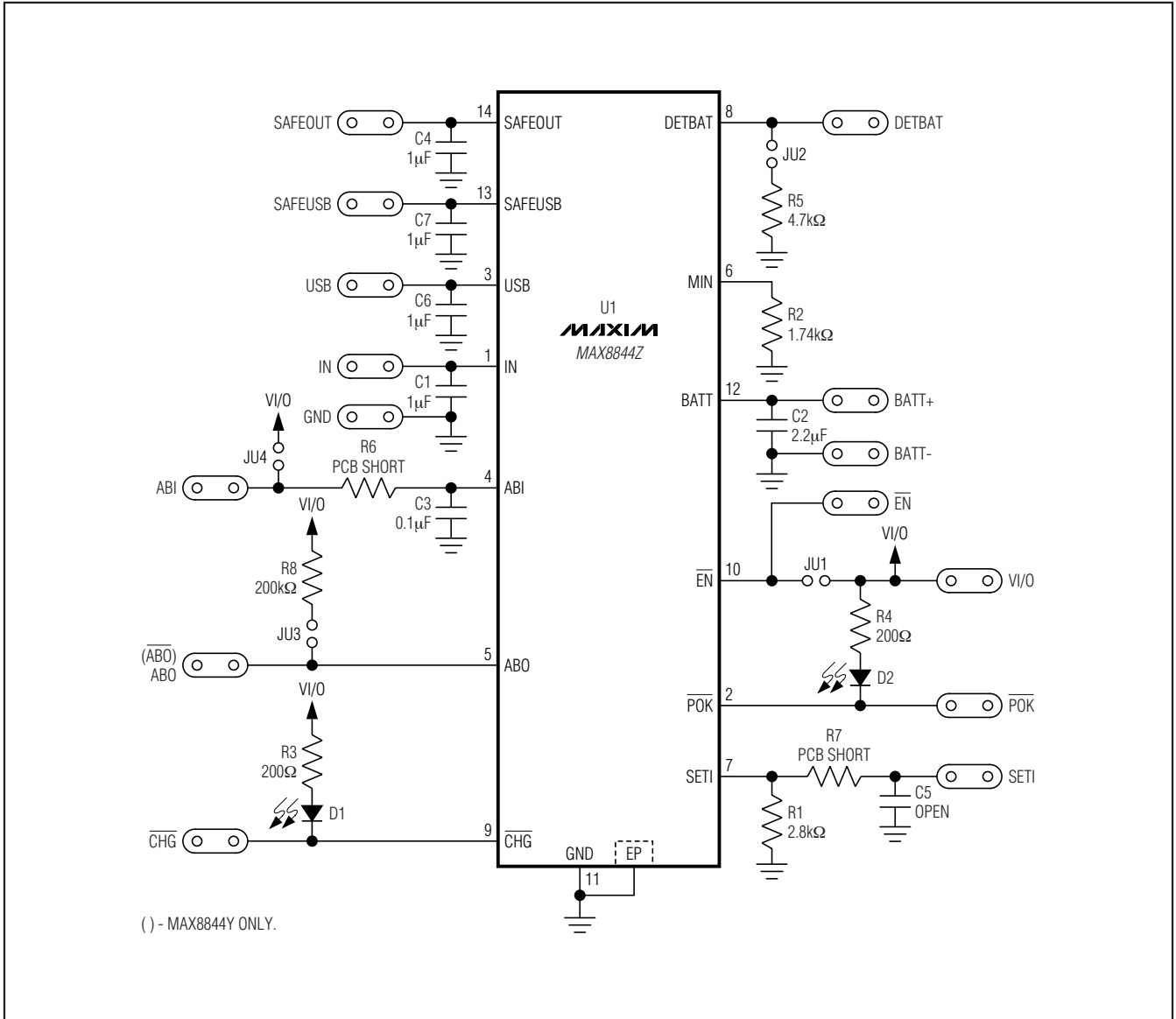


Figure 2. MAX8844Z EV Kit Schematic



# MAX8844Z Evaluation Kit

Evaluates: MAX8844Z/MAX8844Y

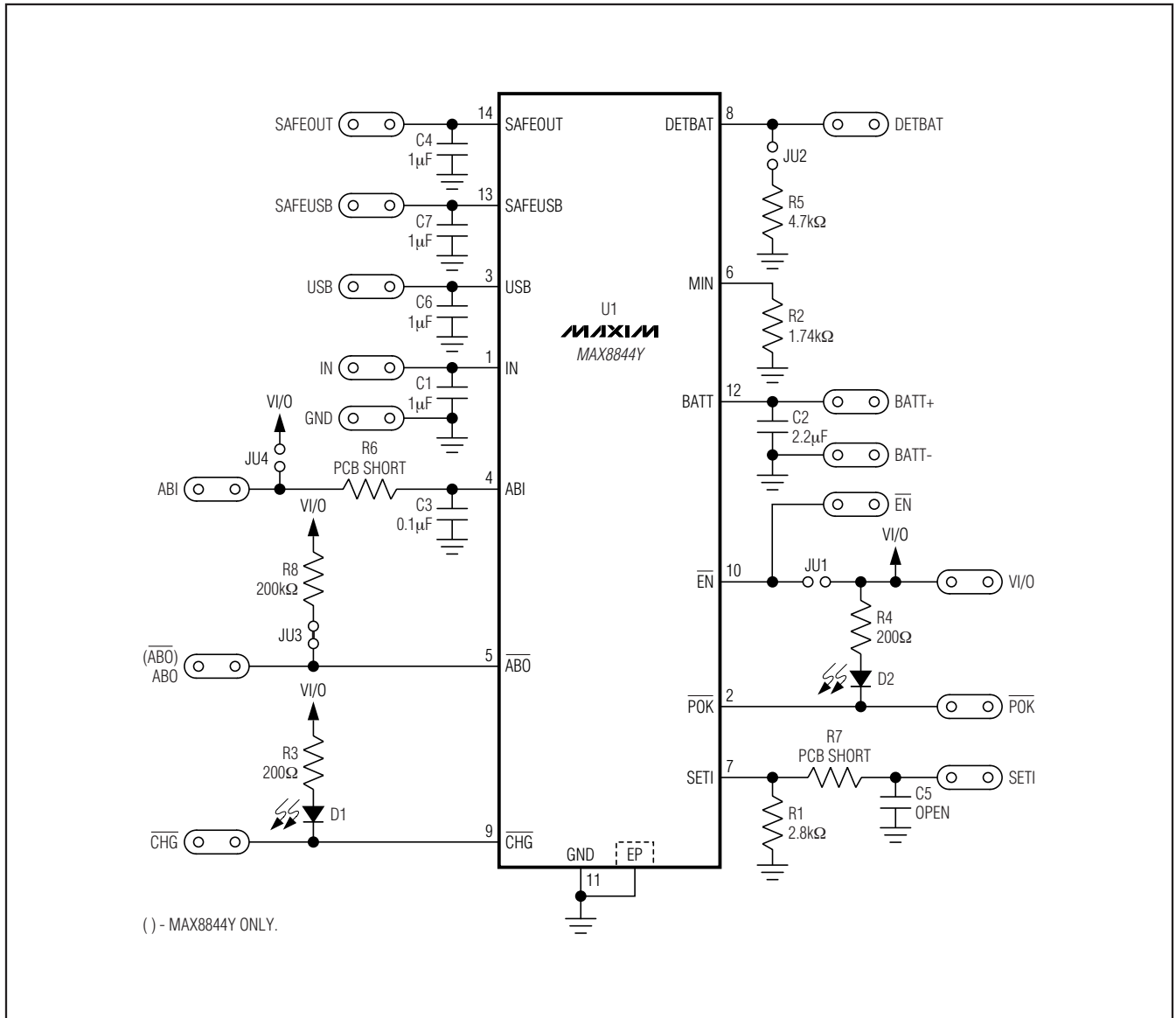


Figure 3. MAX8844Z EV Kit Schematic with MAX8844Y Installed

# MAX8844Z Evaluation Kit

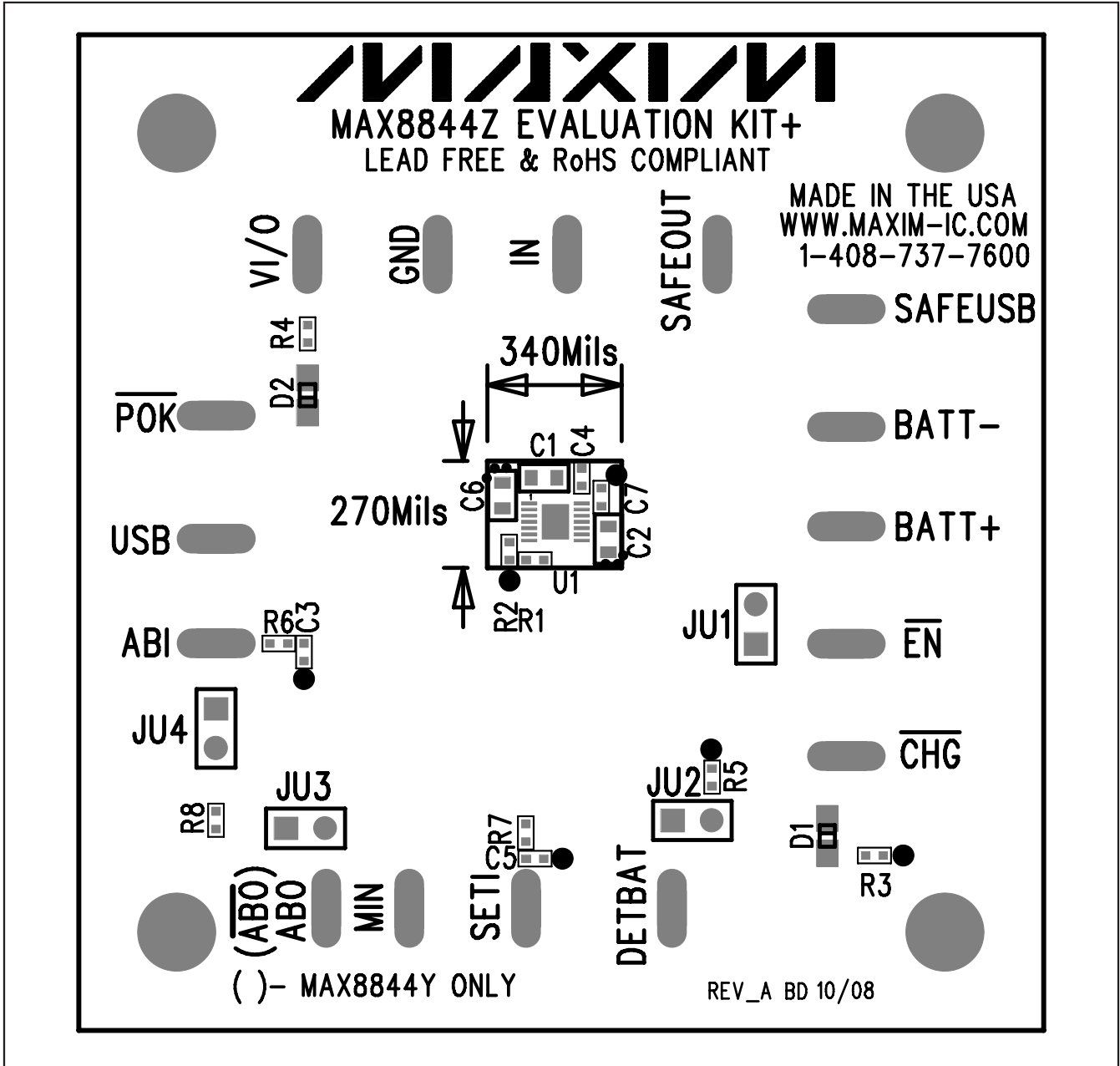


Figure 4. MAX8844Z EV Kit Component Placement Guide—Component Side

# MAX8844Z Evaluation Kit

Evaluates: MAX8844Z/MAX8844Y

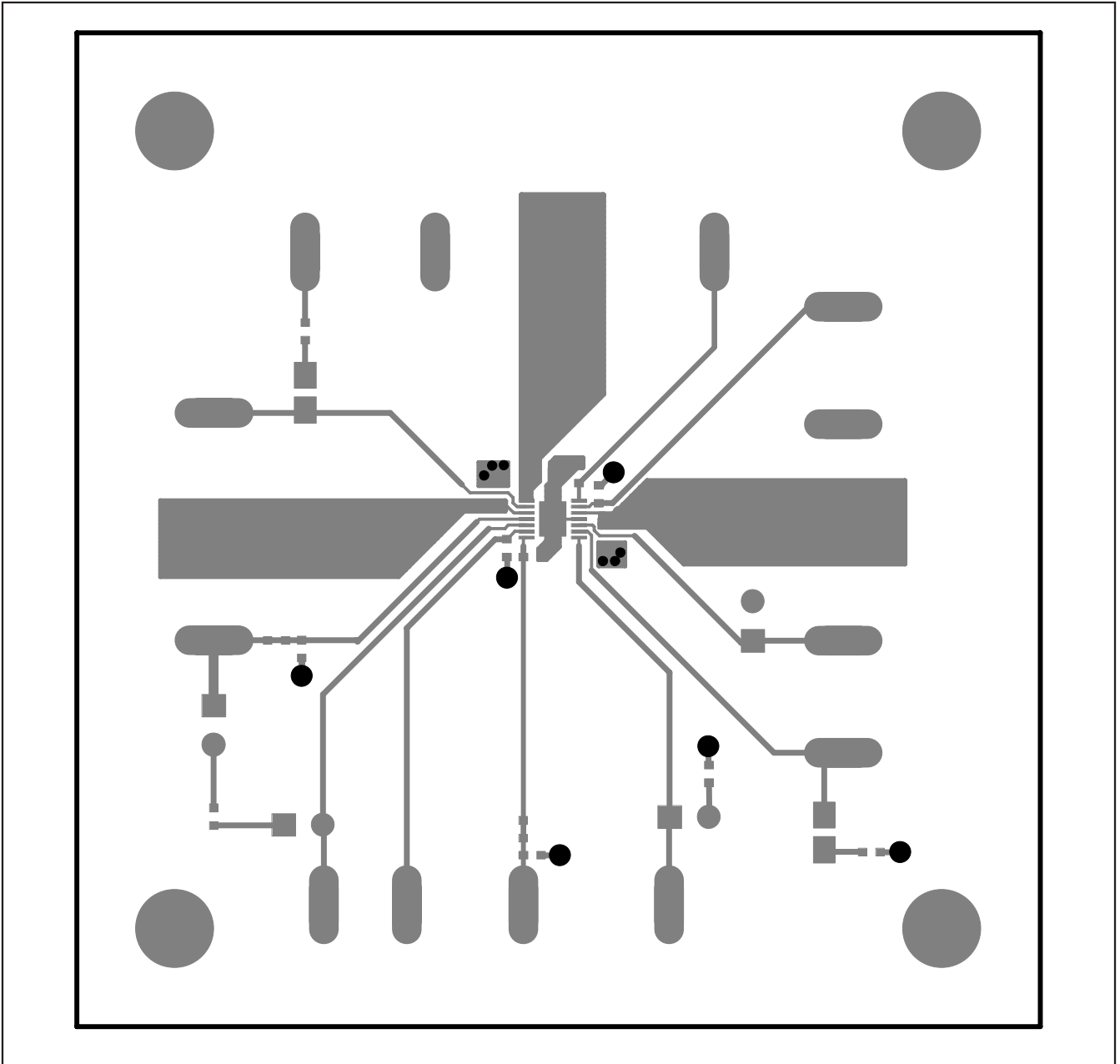


Figure 5. MAX8844Z EV Kit PCB Layout—Component Side

## **MAX8844Z Evaluation Kit**

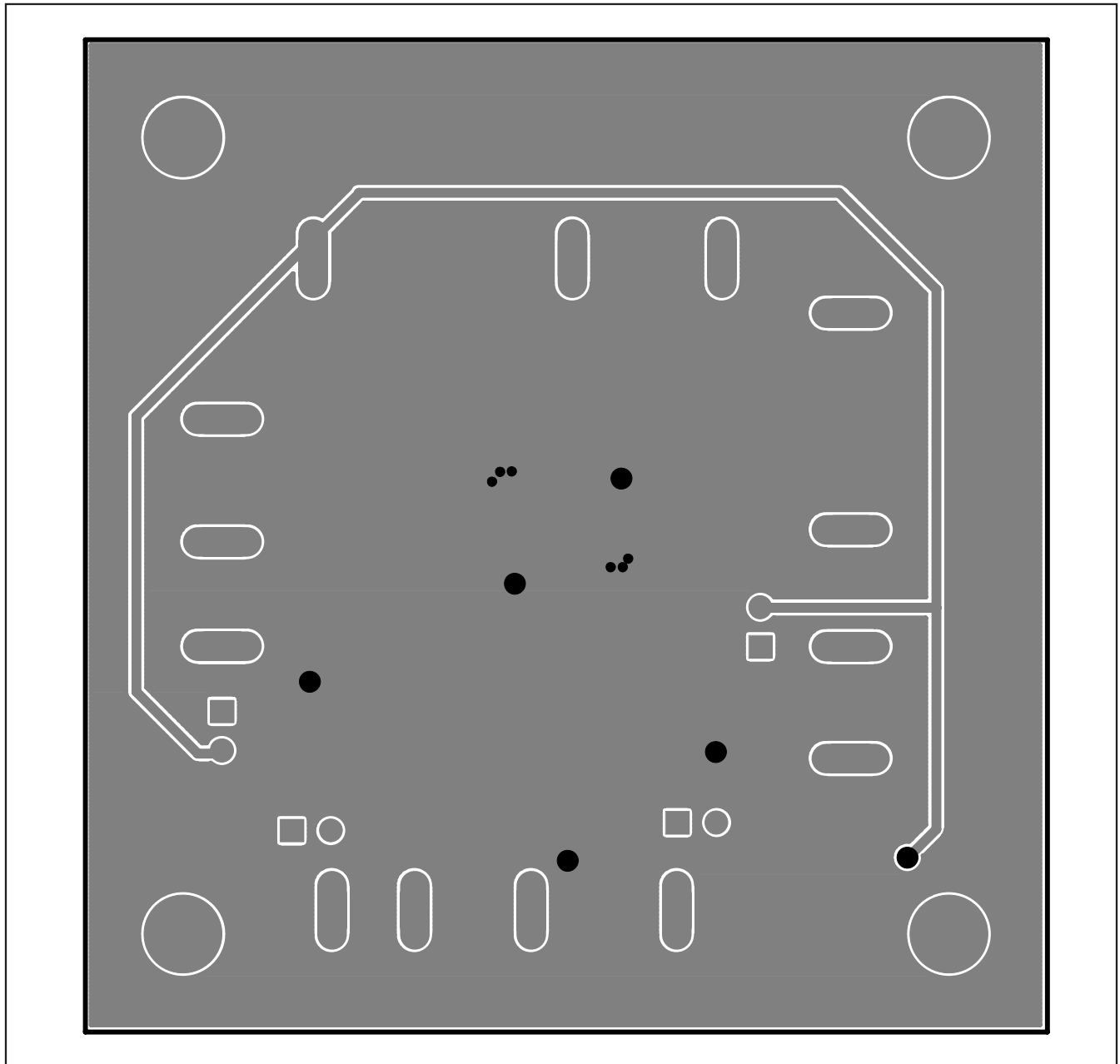


Figure 6. MAX8844Z EV Kit PCB Layout—Solder Side

Maxim cannot assume responsibility for use of any circuitry other than circuitry entirely embodied in a Maxim product. No circuit patent licenses are implied. Maxim reserves the right to change the circuitry and specifications without notice at any time.

12 \_\_\_\_\_ **Maxim Integrated Products, 120 San Gabriel Drive, Sunnyvale, CA 94086 408-737-7600**

© 2008 Maxim Integrated Products

Maxim is a registered trademark of Maxim Integrated Products, Inc.