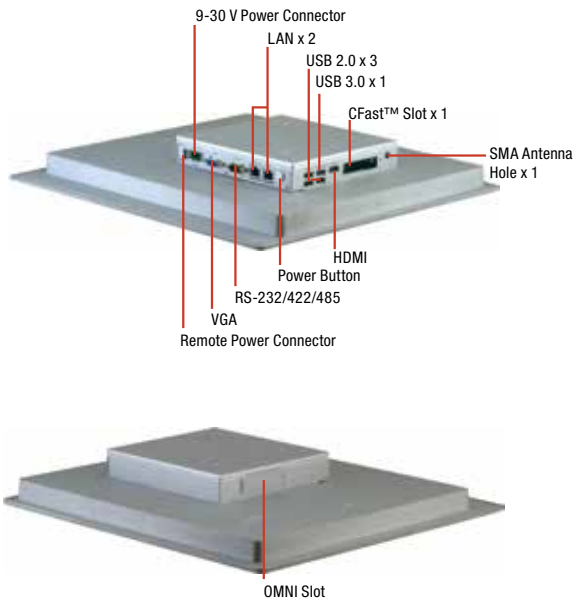


17" Modular HMI Panel PC with Intel® Celeron® J1900/ N2807 Processor



Features

- 17" WXGA (1280 x 1024) TFT LCD Display
- Intel® N2807/J1900 Processor
- P-CAP or Resistive Touch Support
- Aluminum Design
- IP65 Compliant Front Bezel
- Fanless Operation
- Easily Expandable I/O by AAEON OMNI I/O Modules



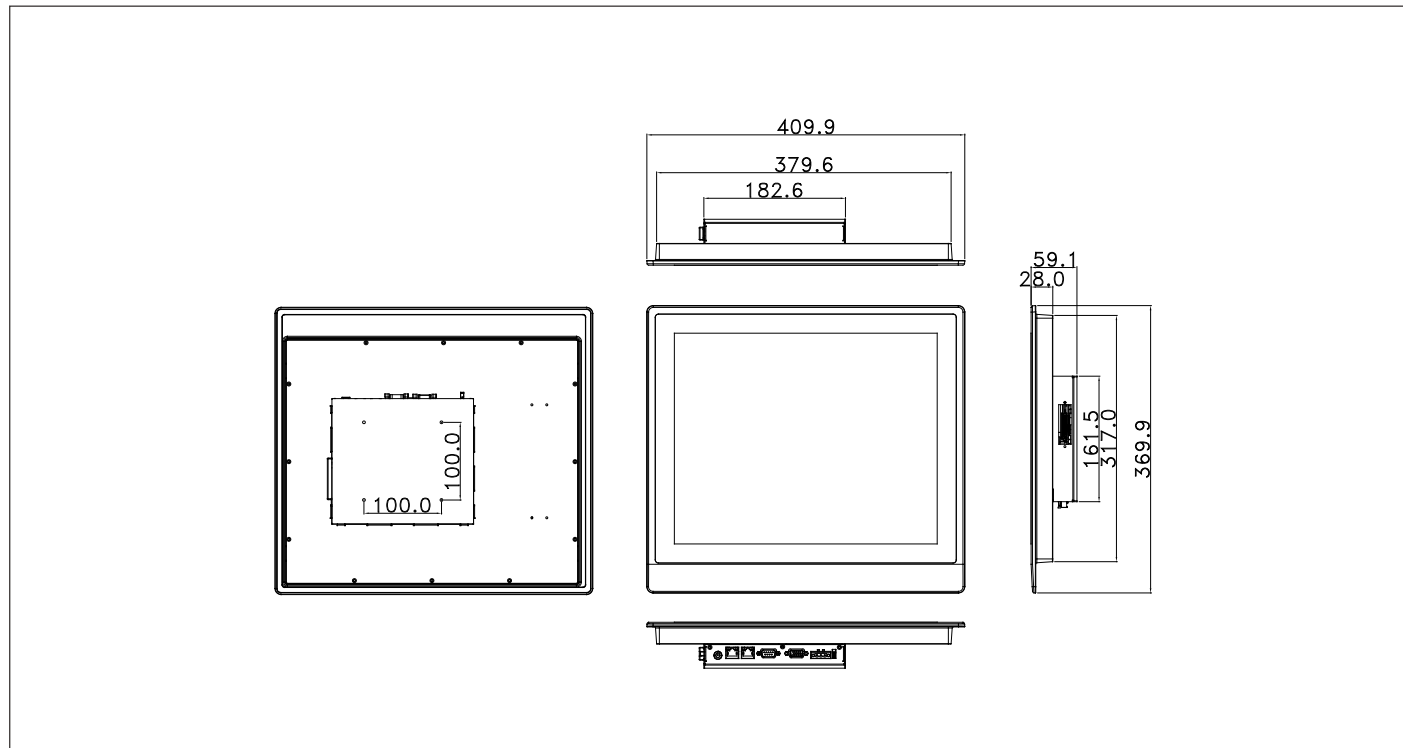
Specifications

System	
Processor	Intel® N2807 processor, 1.58 GHz Intel® J1900 processor, 2 GHz
System Memory	204-pin DDR3L 1333MHz SODIMM x 1, up to 8 GB, (J1900) 204-pin DDR3L 1333MHz SODIMM x 1, up to 4 GB, (N2807)
LCD/CRT Controller	Integrated in processor
Ethernet	Intel® I211, 10/100/1000Base-TX x 2
I/O Port	USB 2.0 type A x 3 USB 3.0 type A x 1 SMA Antenna hole x 1 HDMI x 1 CFast x 1 DB-9 Type RS-232/422/485 x 1 RJ-45 x 2 for 10/100/1000 base-T DB-15 x 1 for VGA 3-pin terminal block x1 for 9~30 Vdc power input LED Power on/off switch x1 (Power on = Orange, Power off =N/A)
Storage Disk Drive	CFast™ x 1, 2.5" SATA HDD bay x 1
Expansion Slot	Mini card x 2 (Testing Compatibility Only) SIM card x 2 PCIe x 1 connector (AAEON PIN Define)
OS support	Windows® 7, Windows® 8, Windows® 10, Linux kernel 2.6.x or above
Mechanical	
Construction	Aluminum design (IP65 Front Frame)
Mounting	Wall /VESA Mount/Desktop (Optional panel mount kits)
Dimension (mm)	400 x 370 x 59 mm
Gross Weight	7.2 kg
Environmental	
Operating Temperature	-10°C ~ 55°C (J1900), -10°C ~ 60°C (N2807) with 0.5 m/s airflow (CF & HDD)
Storage Temperature	-4°F ~ 158°F (-20°C ~ 70°C)
Storage Humidity	90% @40°C; non-condensing
Anti-Vibration	1 Grms / 5~ 500Hz / operation – with HDD
Certification	CE/FCC class A
Power Supply	
DC input	DC 9(min) ~ 30 (max) V w/3-pin terminal block, ATX Power function
LCD	
Display type	17" TFT-LCD, LED
Max Resolution	1280(H) x 1024(V)
Max. Colors	16.7M colors (RGB 6-bits + Hi-FRC data)
Luminance	350 cd/m ²
Viewing Angle	170°(H), 160°(V)
Back Light	LED
Back Light MTBF (hours)	—
Touchscreen	
Type	P-CAP/ 5-wire resistive
Light Transmission	P-CAP (≥85%), 5-wire Resistive (80% ± 5%)

OMNI-3175-BT

Dimension

Unit: mm



Ordering Information

Part Number	Display Type	Max Resolution	Luminance	View Angle	CPU	LAN	USB 3.0	USB 2.0	RS-232/422/485	Storage	RAM	Display	Expansion	Mounting	Power	Operating Temp.	Touch
OMNI-3175HTT-BT-A1-1010	17" TFT LCD	1280 x 1024	350 cd/m ²	170°(H) 160°(V)	Intel® J1900, 2 GHz	2	1	3	1	CFast™ x 1, 2.5" SATA HDD x 1	DDR3L, up to 8 GB	VGA x 1	Mini-Card x 2 (Full Size) OMNI Module	VESA 100/ Panel mount	DC 9~30V	-10°C~55°C with airflow	5-wire Resistive
OMNI-3175HTT-BT-A2-1010	17" TFT LCD	1280 x 1024	350 cd/m ²	170°(H) 160°(V)	Intel® N2807, 1.58 GHz	2	1	3	1	CFast™ x 1, 2.5" SATA HDD x 1	DDR3L, up to 8 GB	VGA x 1	Mini-Card x 2 (Full Size) OMNI Module	VESA 100/ Panel mount	DC 9~30V	-10°C~60°C with airflow	5-wire Resistive
OMNI-3175HTT-BT-A3-1010	17" TFT LCD	1280 x 1024	350 cd/m ²	170°(H) 160°(V)	Intel® J1900, 2 GHz	2	1	3	1	CFast™ x 1, 2.5" SATA HDD x 1	DDR3L, up to 8 GB	VGA x 1	Mini-Card x 2 (Full Size) OMNI Module	VESA 100/ Panel mount	DC 9~30V	-10°C~55°C with airflow	Projected capacitive
OMNI-3175HTT-BT-A4-1010	17" TFT LCD	1280 x 1024	350 cd/m ²	170°(H) 160°(V)	Intel® N2807, 1.58 GHz	2	1	3	1	CFast™ x 1, 2.5" SATA HDD x 1	DDR3L, up to 8 GB	VGA x 1	Mini-Card x 2 (Full Size) OMNI Module	VESA 100/ Panel mount	DC 9~30V	-10°C~60°C with airflow	Projected capacitive
OMNI-317DHTT-KIT-A1-1010	17" TFT LCD	1280 x 1024	350 cd/m ²	170°(H) 160°(V)	—	—	—	—	—	—	—	—	—	—	—	-10°C~60°C with airflow	5-wire Resistive
OMNI-317DHTT-KIT-A2-1010	17" TFT LCD	1280 x 1024	350 cd/m ²	170°(H) 160°(V)	—	—	—	—	—	—	—	—	—	—	—	-10°C~60°C with airflow	Projected capacitive
OMNI-BT-KIT-A1-1010	—	—	—	—	Intel® J1900, 2 GHz	2	1	3	1	CFast™ x 1, 2.5" SATA HDD x 1	DDR3L, up to 8 GB	VGA x 1	Mini-Card x 2 (Full Size) OMNI Module	VESA 100/ Panel mount	DC 9~30V	-10°C~55°C with airflow	—
OMNI-BT-KIT-A2-1010	—	—	—	—	Intel® N2807, 1.58 GHz	2	1	3	1	CFast™ x 1, 2.5" SATA HDD x 1	DDR3L, up to 8 GB	VGA x 1	Mini-Card x 2 (Full Size) OMNI Module	VESA 100/ Panel mount	DC 9~30V	-10°C~60°C with airflow	—

Note: * RAM not included * Panel Mount Kit (Optional)

Packing List

- Phoenix Power Connector
- Product DVD
- OMNI-3175-BT

Optional Accessories

- **AP-0T9789LA1000**
LCD monitor Stand 230mm, LA-100
- **1702031802**
Power Cord (US Type)
- **1702031803**
Power Cord (European Type)
- **170203180E**
Power Cord (Japanese Type)
- **1255901202**
19V 120W Power Adapter w/ 3p phoenix block
- **9741317500**
Panel Mount Kit for OMNI-3175-BT
- **1700021500**
Remote Switch Cable, 150 cm

OMNI Module (with AAEON Interface)

- **9741215501**
WiFi & SIM Card Module (Mini-Card WiFi Module is not included)
- **9741215502**
Dual LAN Module
- **9741215503**
USB / COM / LAN Module
- **9741215504**
COM Port Module
- **9741215505**
Isolated COM Port module
- **9741215506**
DIO Module
- **9741215507**
CAN Bus Module
- **9741215508**
Audio Module
- **9741215510**
HMS Kit
- **9741215511**
DIOx16 Module

Wide Temperature DRAM

- **9761215500**
2GB Wide Temperature DRAM (-40°C ~ 95°C)
- **9761215501**
4GB Wide Temperature DRAM (-40°C ~ 95°C)
- **9761215502**
8GB Wide Temperature DRAM (-40°C ~ 95°C)

**Users should select the wide temperature DRAM above and use wide temperature storage devices if the OMNI panel pc is to be operated at over 40°C.

Note: All specifications are subject to change without notice.