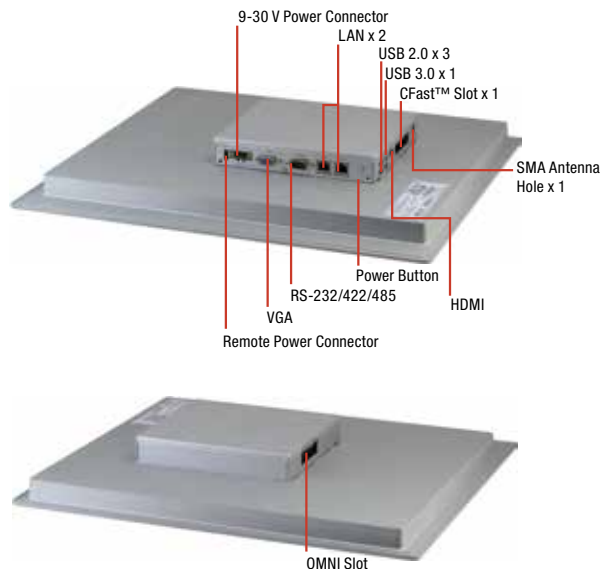


19" Modular HMI Panel PC with Intel® Celeron® J1900/ N2807 Processor



Features

- 19" WXGA (1280 x 1024) TFT LCD Display
- Intel® N2807/J1900 Processor
- P-CAP or Resistive Touch Support
- Aluminum Design
- IP65 Compliant Front Bezel
- Fanless Operation
- Easily Expandable I/O by AAEON OMNI I/O Modules



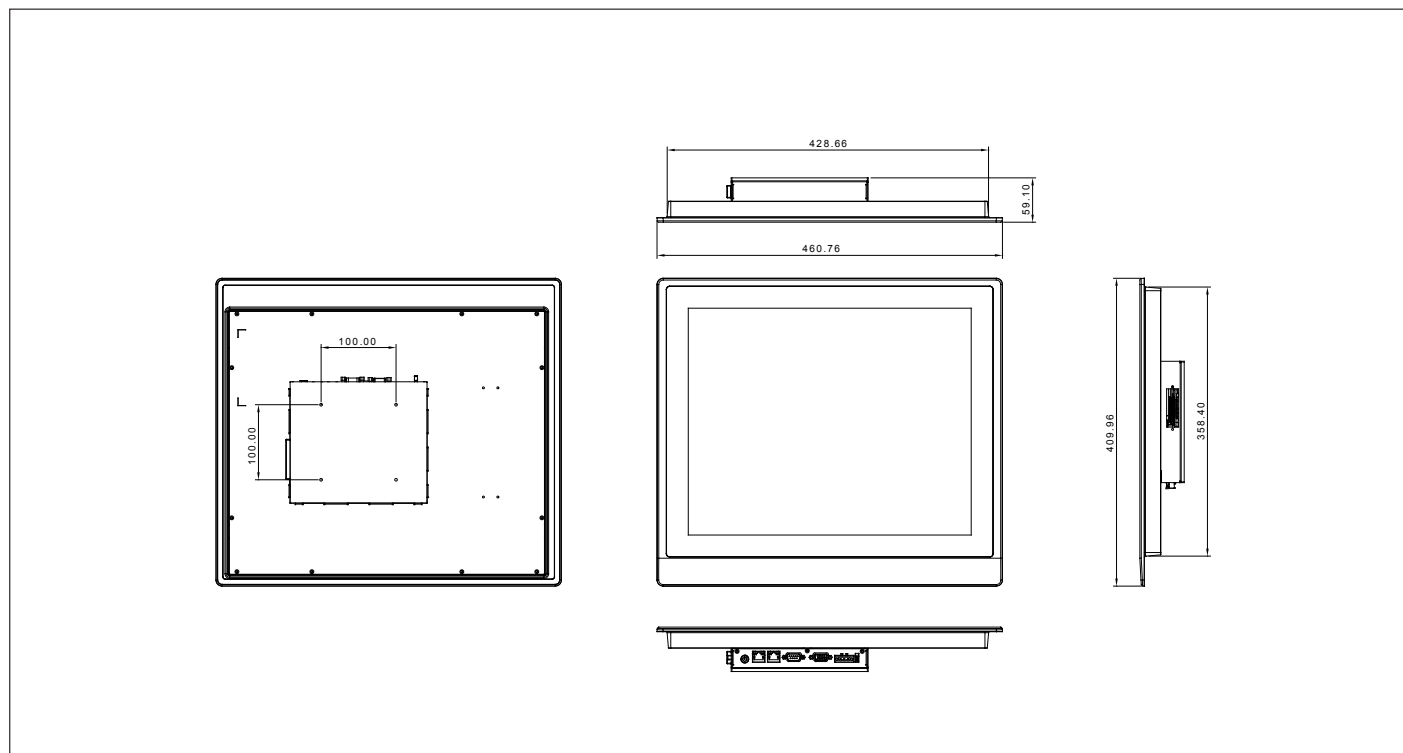
Specifications

| System | |
|-------------------------|--|
| Processor | Intel® N2807 processor, 1.58 GHz Intel® J1900 processor, 2 GHz |
| System Memory | 204-pin DDR3L 1333MHz SODIMM x 1, up to 8 GB, (J1900) 204-pin DDR3L 1333MHz SODIMM x 1, up to 4 GB, (N2807) |
| LCD/CRT Controller | Integrated in processor |
| Ethernet | Intel® I211, 10/100/1000Base-TX x 2 |
| I/O Port | USB 2.0 type A x 3 USB 3.0 type A x 1 SMA Antenna hole x 1 HDMI x 1 CFast x 1 DB-9 Type RS-232/422/485 x 1 RJ-45 x 2 for 10/100/1000 base-T DB-15 x 1 for VGA 3-pin terminal block x1 for 9~30 Vdc power input LED Power on/off switch x1 (Power on = Orange, Power off =N/A) |
| Storage Disk Drive | CFast™ x 1, 2.5" SATA HDD bay x 1 |
| Expansion Slot | Mini card x 2 (Testing Compatibility Only) SIM card x 2 PCI-E x 1 connector (AAEON PIN Define) |
| OS support | Windows® 7, Windows® 8, Windows® 10, Linux kernel 2.6.x or above |
| Mechanical | |
| Construction | Aluminum design (IP65 Front Frame) |
| Mounting | Wall /VESA Mount/Desktop (Optional panel mount kits) |
| Dimension (mm) | 460.8 x 410 x 62.7 mm |
| Gross Weight | 8.8 kg |
| Environmental | |
| Operating Temperature | -10°C ~ 55°C (J1900), -10°C ~ 60°C (N2807) with 0.5 m/s airflow (CF & HDD) |
| Storage Temperature | -4°F ~ 158°F (-20°C ~ 70°C) |
| Storage Humidity | 90% @40°C; non-condensing |
| Anti-Vibration | 1 Grms / 5~ 500Hz / operation – with HDD |
| Certification | CE/FCC class A |
| Power Supply | |
| DC input | DC 9(min) ~ 30 (max) V w/3-pin terminal block, ATX Power function |
| LCD | |
| Display type | 19" TFT-LCD, LED |
| Max Resolution | 1280(H) x 1024(V) |
| Max. Colors | 16.7M colors |
| Luminance | 350 cd/m ² |
| Viewing Angle | 170°(H), 160°(V) |
| Back Light | LED |
| Back Light MTBF (hours) | — |
| Touchscreen | |
| Type | P-CAP/ 5-wire resistive |
| Light Transmission | P-CAP (≥85%), 5-wire Resistive (80% ± 5%) |

OMNI-3195-BT

Dimension

Unit: mm



Ordering Information

| Part Number | Display Type | Max Resolution | Luminance | View Angle | CPU | LAN | USB 3.0 | USB 2.0 | RS-232/422/485 | Storage | RAM | Display | Expansion | Mounting | Power | Operating Temp. | Touch |
|--------------------------|--------------|----------------|-----------------------|-----------------|------------------------|-----|---------|---------|----------------|-------------------------------|-------------------|---------|---------------------------------------|-----------------------|----------|-------------------------|----------------------|
| OMNI-3195HTT-BT-A1-1010 | 19" TFT LCD | 1280 x 1024 | 350 cd/m ² | 170°(H) 160°(V) | Intel® J1900, 2 GHz | 2 | 1 | 3 | 1 | CFast™ x 1, 2.5" SATA HDD x 1 | DDR3L, up to 8 GB | VGA x 1 | Mini-Card x 2 (Full Size) OMNI Module | VESA 100/ Panel mount | DC 9~30V | -10°C~55°C with airflow | 5-wire Resistive |
| OMNI-3195HTT-BT-A2-1010 | 19" TFT LCD | 1280 x 1024 | 350 cd/m ² | 170°(H) 160°(V) | Intel® N2807, 1.58 GHz | 2 | 1 | 3 | 1 | CFast™ x 1, 2.5" SATA HDD x 1 | DDR3L, up to 8 GB | VGA x 1 | Mini-Card x 2 (Full Size) OMNI Module | VESA 100/ Panel mount | DC 9~30V | -10°C~60°C with airflow | 5-wire Resistive |
| OMNI-3195HTT-BT-A3-1010 | 19" TFT LCD | 1280 x 1024 | 350 cd/m ² | 170°(H) 160°(V) | Intel® J1900, 2 GHz | 2 | 1 | 3 | 1 | CFast™ x 1, 2.5" SATA HDD x 1 | DDR3L, up to 8 GB | VGA x 1 | Mini-Card x 2 (Full Size) OMNI Module | VESA 100/ Panel mount | DC 9~30V | -10°C~55°C with airflow | Projected capacitive |
| OMNI-3195HTT-BT-A4-1010 | 19" TFT LCD | 1280 x 1024 | 350 cd/m ² | 170°(H) 160°(V) | Intel® N2807, 1.58 GHz | 2 | 1 | 3 | 1 | CFast™ x 1, 2.5" SATA HDD x 1 | DDR3L, up to 8 GB | VGA x 1 | Mini-Card x 2 (Full Size) OMNI Module | VESA 100/ Panel mount | DC 9~30V | -10°C~60°C with airflow | Projected capacitive |
| OMNI-319DHTT-KIT-A1-1010 | 19" TFT LCD | 1280 x 1024 | 350 cd/m ² | 170°(H) 160°(V) | — | — | — | — | — | — | — | — | — | — | — | -10°C~60°C with airflow | 5-wire Resistive |
| OMNI-319DHTT-KIT-A2-1010 | 19" TFT LCD | 1280 x 1024 | 350 cd/m ² | 170°(H) 160°(V) | — | — | — | — | — | — | — | — | — | — | — | -10°C~60°C with airflow | Projected capacitive |
| OMNI-BT-KIT-A1-1010 | — | — | — | — | Intel® J1900, 2 GHz | 2 | 1 | 3 | 1 | CFast™ x 1, 2.5" SATA HDD x 1 | DDR3L, up to 8 GB | VGA x 1 | Mini-Card x 2 (Full Size) OMNI Module | VESA 100/ Panel mount | DC 9~30V | -10°C~55°C with airflow | — |
| OMNI-BT-KIT-A2-1010 | — | — | — | — | Intel® N2807, 1.58 GHz | 2 | 1 | 3 | 1 | CFast™ x 1, 2.5" SATA HDD x 1 | DDR3L, up to 8 GB | VGA x 1 | Mini-Card x 2 (Full Size) OMNI Module | VESA 100/ Panel mount | DC 9~30V | -10°C~60°C with airflow | — |

Note: * RAM not included * Panel Mount Kit (Optional)

Packing List

- Phoenix Power Connector
- Product DVD
- OMNI-3195-BT

Optional Accessories

- **AP-0T9789LA1000**
LCD monitor Stand 230mm, LA-100
- **1702031802**
Power Cord (US Type)
- **1702031803**
Power Cord (European Type)
- **170203180E**
Power Cord (Japanese Type)
- **1255901202**
19V 120W Power Adapter w/ 3p phoenix block
- **9741MN1902**
Panel Mount Kit for OMNI-3195-BT
- **1700021500**
Remote Switch Cable, 150 cm

OMNI Module (with AAEON Interface)

- **9741215501**
WiFi & SIM Card Module (Mini-Card WiFi Module is not included)
- **9741215502**
Dual LAN Module
- **9741215503**
USB / COM / LAN Module
- **9741215504**
COM Port Module
- **9741215505**
Isolated COM Port module
- **9741215506**
DIO Module
- **9741215507**
CAN Bus Module
- **9741215508**
Audio Module
- **9741215510**
HMS Kit
- **9741215511**
DIOx16 Module

Wide Temperature DRAM

- **9761215500**
2GB Wide Temperature DRAM (-40°C ~ 95°C)
- **9761215501**
4GB Wide Temperature DRAM (-40°C ~ 95°C)
- **9761215502**
8GB Wide Temperature DRAM (-40°C ~ 95°C)

**Users should select the wide temperature DRAM above and use wide temperature storage devices if the OMNI panel pc is to be operated at over 40°C.

Note: All specifications are subject to change without notice.