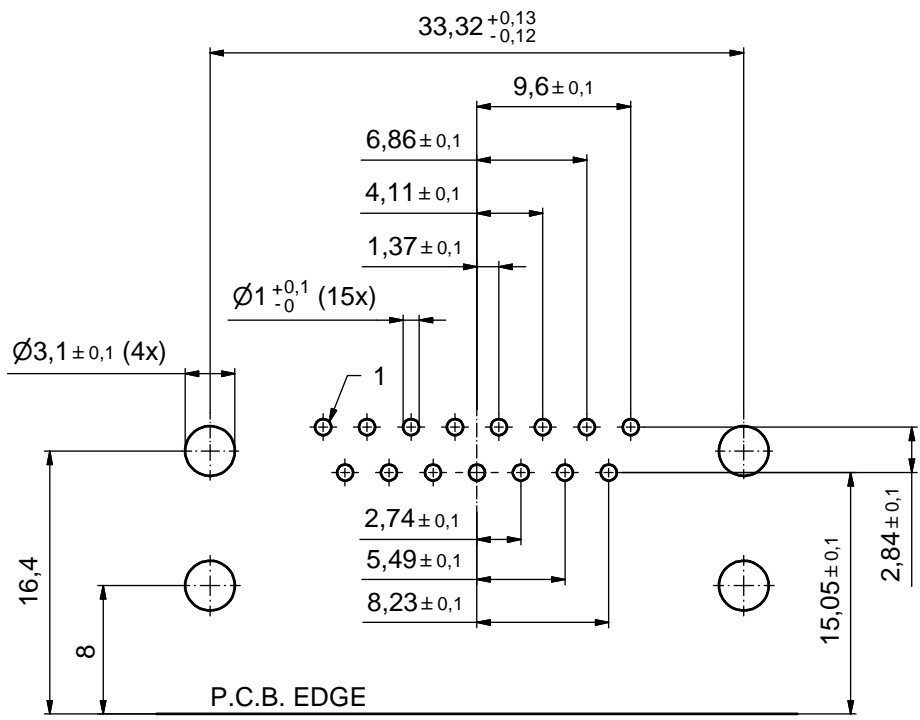


Directive 2002/95/EC RoHS compliant

NOTES:

1. METALSHELLS: STEEL; min. 315µin TIN over 40-80µin NICKEL
2. INSULATORS: PBT GF UL 94 V-0; BLACK
3. CONTACTS: COPPER ALLOY
PLATING: GOLD FLASH over NICKEL
4. PLASTIC BRACKETS: PBT GF UL 94 V-0; BLACK
5. THREADED INSERTS: COPPER ALLOY; min. 200µin TIN over 80µin NICKEL
6. FIXING-PLATE: PBT GF UL 94 V-0; BLACK
7. MAXIMUM TORQUE VALUE FOR THREAD: 6 in.LB
8. CONNECTOR IS PART MARKED: **163A19099X CONEC ABC**

tolerance				dim. in mm	scale: 2:1 (5:1)		
					material: see notes		
date				name		title:	
						D-SUB MALE 90°	
drawn 29.11.10				Schmidt		15pos. SOLDER PIN ANGLED 0.590inch threaded insert, plastic bracket, fixing plate	
appd. 29.11.10				Fischer			
norm							
d-old						dwg no:	
a Origin				CONEC		16K1A2732	
rev. description date name						part no: 163A19099X	
						DIN-A3 sh: 1	



P.C.B. HOLE DRILLINGS
(P.C.B. TOP SIDE)

THIS DRAWING MAY NOT BE COPIED OR REPRODUCED IN ANY WAY, AND MAY NOT BE PASSED ON TO A THIRD PARTY WITHOUT WRITTEN PERMISSION. OWNERSHIP AND COPYRIGHT OF CONEC GmbH DO NOT ALTER CAD DRAWING BY HAND				tolerance		scale: 3:1
				date	name	material: see sheet 1
				drawn	29.11.10	Schmidt
				appd.	29.11.10	Fischer
				norm		
			d-old			
			a	Origin		
rev.	description	date	name	CONEC [®]		title: P.C.B. HOLE DRILLINGS 15pos. SOLDER PIN ANGLED 0.590inch threaded insert, plastic bracket, fixing plate
						dwg no: 16K1A2732
				part no: see sheet 1		