

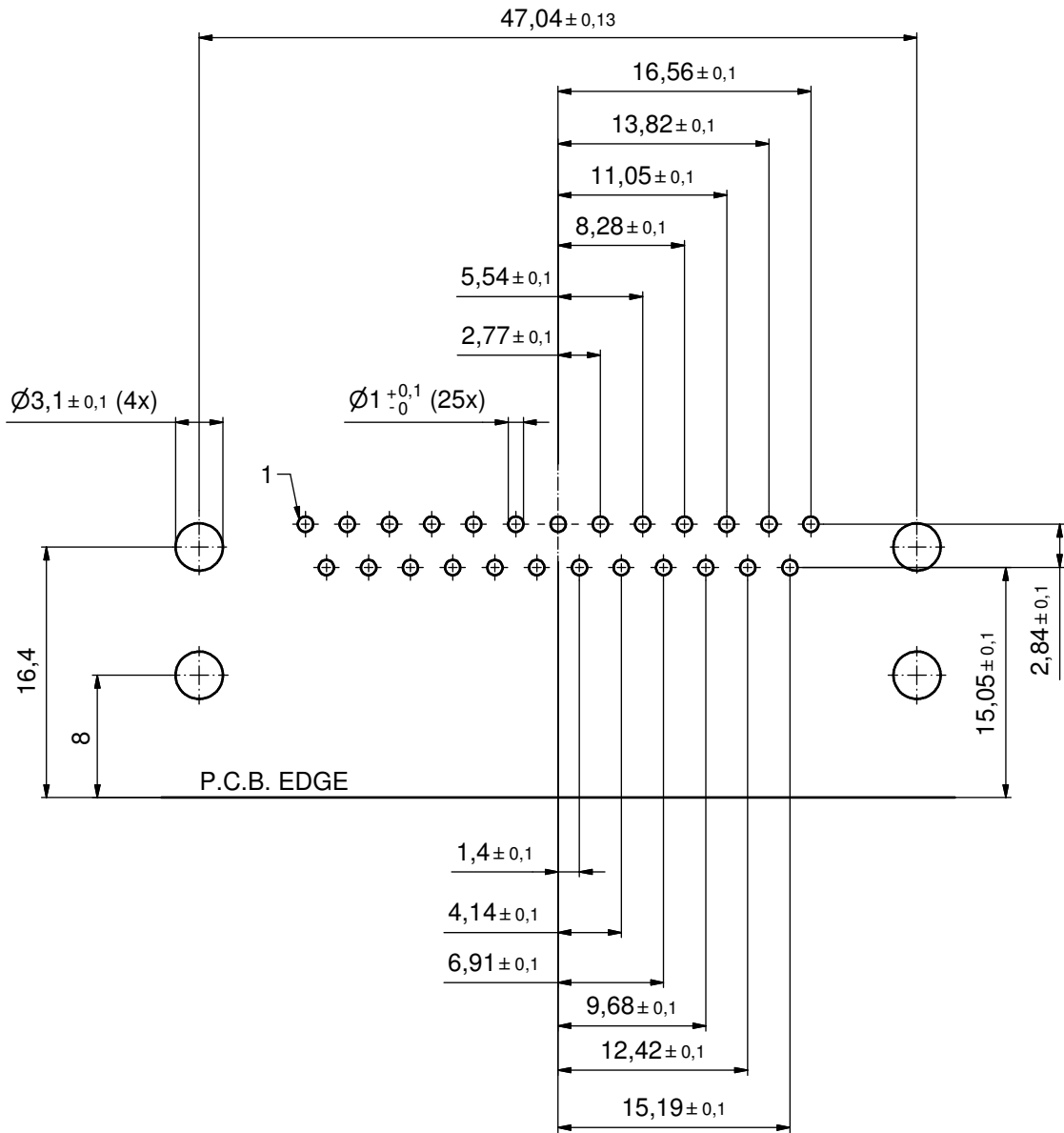
NOTES:

1. METALSHELLS: STEEL; min. 315µin TIN over 40-80µin NICKEL
2. INSULATORS: PBT GF UL 94 V-0; BLACK
3. CONTACTS: COPPER ALLOY; PLATING (SEE PART NO.):
 - PLEASE ADD A for GOLD FLASH over NICKEL (PREFERRED TYPE)
 - PLEASE ADD B for 20µin HARD GOLD over min. 50µin NICKEL
 - PLEASE ADD C for 30µin HARD GOLD over min. 50µin NICKEL
4. PLASTIC BRACKETS: PBT GF UL 94 V-0; BLACK
5. THREADED INSERTS: COPPER ALLOY; min. 200µin TIN over 80µin NICKEL
6. FIXING-PLATE: PBT GF UL 94 V-0; BLACK
7. MAXIMUM TORQUE VALUE FOR THREAD: 6 in.LB
8. CONNECTOR IS PART MARKED: **163□19109X CONEC ABC** (see note 3)

Directive 2002/95/EC RoHS compliant

THIS DRAWING MAY NOT BE COPIED OR REPRODUCED IN ANY WAY, AND MAY NOT BE PASSED ON TO A THIRD PARTY WITHOUT WRITTEN PERMISSION. OWNERSHIP AND COPYRIGHT OF CONEC GmbH DO NOT ALTER CAD DRAWING BY HAND	tolerance			dim. in mm	scale: 2:1 (5:1)	
					material: see notes	
				date	name	title: D-SUB MALE 90° 25pos. SOLDER PIN ANGLED 0.590inch threaded insert, plastic Bracket, fixing plate
				drawn 29.11.10	Schmidt	
				appd. 29.11.10	Fischer	
			norm	d-old	dwg no:	
2 x b	A4633	30.01.2013	K.H.			DIN-A3
a	Original					sh:1/2
rev.	description	date	name	part no: 163□19109X (see note 3)		

P.C.B. HOLE DRILLINGS
(P.C.B. TOP SIDE)



THIS DRAWING MAY NOT BE COPIED OR REPRODUCED IN ANY WAY, AND MAY NOT BE PASSED ON TO A THIRD PARTY WITHOUT WRITTEN PERMISSION. OWNERSHIP AND COPYRIGHT OF CONEC GmbH DO NOT ALTER CAD DRAWING BY HAND					tolerance	dim. in mm	scale: 3:1		
					date		name	material: see sheet 1	
					drawn	29.11.10	Schmidt	title: P.C.B. HOLE DRILLINGS 25pos. SOLDER PIN ANGLED 0.590inch threaded insert, plastic bracket, fixing plate	
					appd.	29.11.10	Fischer		
					norm				
					d-old				
		a	Original					dwg no: 16K1A2734	DIN-A3
	rev.	description	date	name				part no: see sheet 1	sh:2/2