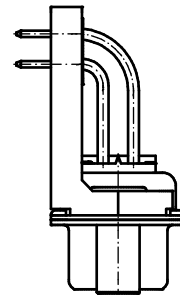
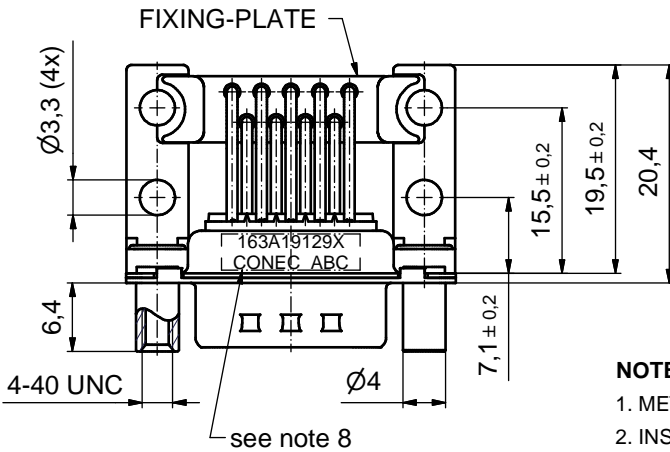
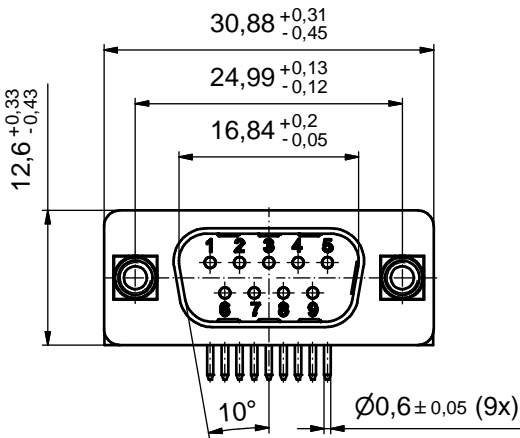
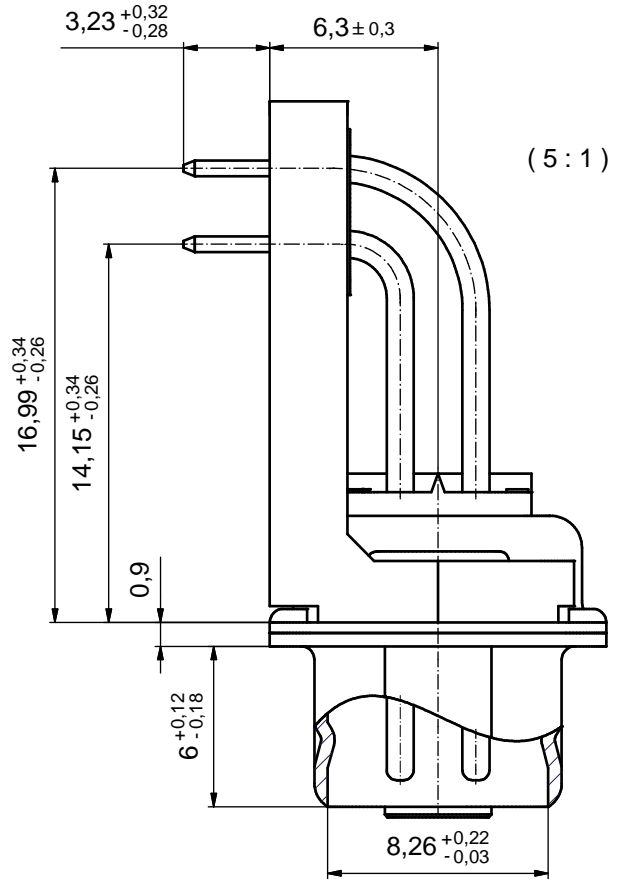
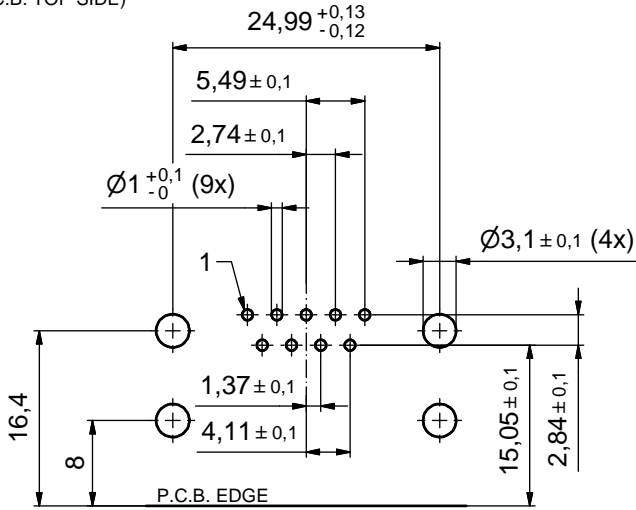
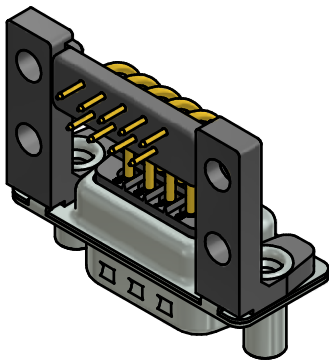


P.C.B. HOLE DRILLINGS
(P.C.B. TOP SIDE)



NOTES:

1. METALSHELLS: STEEL; min. 315µin TIN over 40-80µin NICKEL
2. INSULATORS: PBT GF UL 94 V-0; BLACK
3. CONTACTS: COPPER ALLOY
PLATING: GOLD FLASH over NICKEL
4. PLASTIC BRACKETS: PBT GF UL 94 V-0; BLACK
5. THREADED LOCKS: COPPER ALLOY; min. 200µin TIN over 80µin NICKEL
6. FIXING-PLATE: PBT GF UL 94 V-0; BLACK
7. MAXIMUM TORQUE VALUE FOR THREAD: 6 in.LB
8. CONNECTOR IS PART MARKED: **163A19129X CONEC ABC**



Directive 2002/95/EC RoHS compliant

THIS DRAWING MAY NOT BE COPIED OR REPRODUCED IN ANY WAY, AND MAY NOT BE PASSED ON TO A THIRD PARTY WITHOUT WRITTEN PERMISSION. OWNERSHIP AND COPYRIGHT OF CONEC GmbH

DO NOT ALTER CAD DRAWING BY HAND

tolerance		dim. in mm	scale: 2:1 (5:1)	
			material: see notes	
date	name	title:		
drawn 02.12.10	Schmidt	D-SUB MALE 90° 9pos. SOLDER PIN ANGLED 0.590inch threaded lock, plastic bracket, fixing plate		
appd. 08.12.10	Fischer			
norm				
d-old				
a	Origin			dwg no: 16K1A2736
rev.	description	date	name	part no: 163A19129X

title:		DIN-A3	
dwg no:		sh: 1	
part no:		163A19129X	