

# 71M6541DT/71M6541FT/71M6541GT/ 71M6542FT/71M6542GT

## Energy Meter ICs

### General Description

The 71M6541DT/71M6541FT/71M6541GT/71M6542FT/71M6542GT (71M654xT) are 4th-generation single-phase metering systems-on-chips (SoCs) with a 5MHz, 8051-compatible MPU core, low-power RTC with digital temperature compensation, flash memory, and LCD driver. Our Single Converter Technology® with a 22-bit delta-sigma ADC, three or four analog inputs, digital temperature compensation, precision voltage reference, and a 32-bit computation engine (CE) support a wide range of metering applications with very few external components.

The 71M654xT devices support optional interfaces to the Maxim Integrated 71M6x01 series of isolated sensors offering BOM cost reduction, immunity to magnetic tamper, and enhanced reliability. Other features include an SPI interface, advanced power management, ultra-low-power operation in active and battery modes, 3KB/5KB shared RAM, and 32KB/64KB/128KB flash memory that can be programmed in the field with code and/or data during meter operation and the ability to drive up to six LCD segments per SEG driver pin. High processing and sampling rates combined with differential inputs offer a powerful platform for residential meters.

A complete array of code development tools, demonstration code, and reference designs enable rapid development and certification of meters that meet all ANSI and IEC electricity metering standards worldwide.

The 71M654xT family operates over the industrial temperature range and comes in 64-pin (71M6541DT/FT/GT) and 100-pin (71M6542FT/GT) lead(Pb)-free LQFP packages.

### Applications

- Single-Phase Residential, Commercial, and Industrial Energy Meters

**Ordering Information and Typical Operating Circuit appear at end of data sheet.**

*Single Converter Technology is a registered trademark of Maxim Integrated Products, Inc.*

### Benefits and Features

- SoC Integration and Unique Isolation Technique Reduces BOM Cost Without Sacrificing Performance
  - 0.1% Typical Accuracy Over 2000:1 Current Range
  - Exceeds IEC 62053/ANSI C12.20 Standards
  - Four-Quadrant Metering
  - 46-64Hz Line Frequency Range with the Same Calibration
  - Phase Compensation ( $\pm 10^\circ$ )
  - Independent 32-Bit Compute Engine
  - 32KB Flash, 3KB RAM (71M6541DT)
  - 64KB Flash, 5KB RAM (71M6541FT/71M6542FT)
  - 128KB Flash, 5KB RAM (71M6541GT/71M6542GT)
  - Built-In Flash Security
  - Up to Four Pulse Outputs with Pulse Count
  - 8-Bit MPU (80515), Up to 5 MIPS
  - Full-Speed MPU Clock in Brownout Mode
  - LCD Driver Allows Up to 6 Commons/Up to 56 Pins
  - Up to 51 Multifunction DIO Pins
  - Hardware Watchdog Timer (WDT)
  - Two UARTs for IR and AMR
  - IR LED Driver with Modulation
- Innovative Isolation Technology (Requires Companion 71M6xxx Sensor, also from Maxim Integrated) Eliminates Current Transformers
  - Two Current Sensor Inputs with Selectable Differential Mode
  - Selectable Gain of 1 or 8 for One Current Input to Support Shunts
  - High-Speed Wh/VARh Pulse Outputs with Programmable Width
- Digital Temperature Compensation Improves System Performance
  - Metrology Compensation
  - Accurate RTC for TOU Functions with Automatic Temperature Compensation for Crystal in All Power Modes
- Power Management Extends Battery Life During Power Outages
  - Three Battery-Backup Modes
    - Brownout Mode (BRN)
    - LCD Mode (LCD)
    - Sleep Mode (SLP)
- Wake-Up on Pin Events and Wake-On Timer
  - 1 $\mu$ A in Sleep Mode

---

**TABLE OF CONTENTS**

---

General Description . . . . .	1
Applications . . . . .	1
Benefits and Features . . . . .	1
Absolute Maximum Ratings . . . . .	7
Electrical Characteristics . . . . .	7
Recommended External Components . . . . .	12
Pin Configurations . . . . .	13
Pin Descriptions . . . . .	15
Block Diagram . . . . .	18
I/O Equivalent Circuits . . . . .	19
Hardware Description . . . . .	20
Analog Front-End (AFE) . . . . .	21
Signal Input Pins . . . . .	23
Input Multiplexer . . . . .	23
Delay Compensation . . . . .	24
ADC Preamplifier . . . . .	25
Analog-to-Digital Converter (ADC) . . . . .	25
FIR Filter . . . . .	25
Voltage References . . . . .	25
Isolated Sensor Interface . . . . .	25
Digital Computation Engine (CE) . . . . .	26
Meter Equations . . . . .	26
Real-Time Monitor . . . . .	26
Pulse Generators . . . . .	26
XPULSE and YPULSE . . . . .	27
VPULSE and WPULSE . . . . .	27
80515 MPU Core . . . . .	27
Memory Organization and Addressing . . . . .	27
Program Memory . . . . .	27
MPU External Data Memory (XRAM) . . . . .	28
MOVX Addressing . . . . .	28
Dual Data Pointer . . . . .	28
Internal Data Memory Map and Access . . . . .	29
Special Function Registers . . . . .	29
Timers and Counters . . . . .	29
Interrupts . . . . .	31
Interrupt Overview . . . . .	31
External MPU Interrupts . . . . .	32

**TABLE OF CONTENTS (continued)**

On-Chip Resources . . . . .	32
Flash Memory . . . . .	32
MPU/CE RAM . . . . .	33
I/O RAM . . . . .	33
Crystal Oscillator . . . . .	33
PLL . . . . .	33
Real-Time Clock (RTC) . . . . .	33
RTC Trimming . . . . .	33
RTC Interrupts . . . . .	34
Temperature Sensor . . . . .	34
Battery Monitor . . . . .	34
Digital I/O and LCD Segment Drivers . . . . .	35
LCD Drivers . . . . .	35
Square Wave Output . . . . .	36
EEPROM Interface . . . . .	36
Two-Pin EEPROM Interface . . . . .	36
Three-Wire EEPROM Interface . . . . .	36
UART . . . . .	36
SPI Slave Port . . . . .	37
SPI Safe Mode . . . . .	37
SPI Flash Mode (SFM) . . . . .	38
Hardware Watchdog Timer . . . . .	38
Test Ports . . . . .	38
Functional Description . . . . .	40
Theory of Operation . . . . .	40
Battery Modes . . . . .	40
Brownout Mode . . . . .	41
LCD Only Mode . . . . .	41
Sleep Mode . . . . .	41
Applications Information . . . . .	42
Connecting 5V Devices . . . . .	42
Direct Connection of Sensors . . . . .	42
Using the 71M6541DT/FT/GT with Local Sensors . . . . .	42
Using the 71M6541DT/FT/GT with Remote Sensors . . . . .	42
Using the 71M6542FT/GT with Local Sensors . . . . .	42
Using the 71M6542FT/GT with Remote Sensors . . . . .	42
Metrology Temperature Compensation . . . . .	42
Connecting I <sup>2</sup> C EEPROMs . . . . .	42

---

**TABLE OF CONTENTS (continued)**

---

Connecting Three-Wire EEPROMs . . . . .	42
UART0 . . . . .	48
Optical Interface . . . . .	48
Reset . . . . .	49
MPU Firmware Library . . . . .	49
Reading the Info Page . . . . .	65
Meter Calibration . . . . .	66
Firmware Interface . . . . .	66
Overview: Functional Order . . . . .	66
I/O RAM Map: Details . . . . .	66
CE Interface Description . . . . .	66
CE Program . . . . .	66
CE Data Format . . . . .	66
Constants . . . . .	67
Environment . . . . .	67
CE Calculations . . . . .	68
CE Input Data . . . . .	68
CE Status and Control . . . . .	68
Transfer Variables . . . . .	68
Pulse Generation . . . . .	68
CE Flow Diagrams . . . . .	68
Ordering Information . . . . .	75
Package Information . . . . .	75
Typical Operating Circuit . . . . .	76
Revision History . . . . .	77

---

**LIST OF FIGURES**

---

Figure 1. I/O Equivalent Circuits . . . . .	19
Figure 2. 71M6541DT/FT/GT Operating with Local Sensors . . . . .	21
Figure 3. 71M6541DT/FT/GT Operating with Remote Sensor for Neutral Current . . . . .	21
Figure 4. 71M6542FT/GT Operating with Local Sensors . . . . .	22
Figure 5. 71M6542FT/GT Operating with Remote Sensor for Neutral Current . . . . .	22
Figure 6. Multiplexer Sequence with MUX_DIV = 3 . . . . .	24
Figure 7. Multiplexer Sequence with MUX_DIV = 4 . . . . .	24
Figure 8. Typical LCD Waveforms . . . . .	34
Figure 9. Optical Interface (UART1) . . . . .	37
Figure 10. Waveforms Comparing Voltage, Current, Energy per Interval, and Accumulated Energy . . . . .	40
Figure 11. Typical Voltage Sense Circuit Using Resistive Divider . . . . .	43
Figure 12. Typical Current-Sense Circuit Using Current Transformer in a Single-Ended Configuration . . . . .	43
Figure 13. Typical Current-Sense Circuit Using Current Transformer in a Differential Configuration . . . . .	43
Figure 14. Typical Current-Sense Circuit Using Shunt in a Differential Configuration . . . . .	43
Figure 15. 71M6541DT/FT/GT Typical Operating Circuit Using Locally Connected Sensors . . . . .	44
Figure 16. 71M6541DT/FT/GT Typical Operating Circuit Using Remote Neutral Current Sensor . . . . .	45
Figure 17. 71M6542FT/GT Typical Operating Circuit Using Local Sensors . . . . .	46
Figure 18. 71M6542FT/GT Typical Operating Circuit Using Remote Neutral Current Sensor . . . . .	47
Figure 19. Typical I <sup>2</sup> C Operating Circuit . . . . .	48
Figure 20. Typical UART Operating Circuit . . . . .	48
Figure 21. Optical Interface Typical Operating Circuit . . . . .	48
Figure 22. Typical Reset Circuits . . . . .	49
Figure 23. Typical Emulator Connections . . . . .	49
Figure 24. CE Data Flow—Multiplexer and ADC . . . . .	73
Figure 25. CE Data Flow—Offset, Gain, and Phase Compensation . . . . .	74
Figure 26. CE Data Flow—Squaring and Summation . . . . .	74

---

**LIST OF TABLES**

---

Table 1. ADC Input Configuration . . . . .	25
Table 2. Inputs Selected in Multiplexer Cycles . . . . .	27
Table 3. CKMPU Clock Frequencies . . . . .	27
Table 4. Memory Map . . . . .	28
Table 5. Internal Data Memory Map . . . . .	29
Table 6. Special Function Register Map . . . . .	29
Table 7. Generic 80515 SFRs: Location and Reset Values . . . . .	30
Table 8. Timers/Counters Mode Description . . . . .	31
Table 9. External MPU Interrupts . . . . .	32
Table 10. Flash Banks . . . . .	32
Table 11. Test Ports . . . . .	38
Table 12. I/O RAM Locations in Numerical Order . . . . .	50
Table 13. I/O RAM Locations in Alphabetical Order . . . . .	55
Table 14. Info Page Trim Fuses . . . . .	65
Table 15. Power Equations . . . . .	67
Table 16. CE Raw Data Access Locations . . . . .	67
Table 17. CE Status Register . . . . .	69
Table 18. CE Configuration Register . . . . .	69
Table 19. Sag Threshold and Gain Adjustment Registers . . . . .	70
Table 20. CE Transfer Registers . . . . .	70
Table 21. CE Pulse Generation Parameters . . . . .	71
Table 22. Other CE Parameters . . . . .	72
Table 23. CE Calibration Parameters . . . . .	73

## Absolute Maximum Ratings

(All voltages referenced to GNDA.)

### Supplies and Ground Pins

V <sub>V3P3SYS</sub> , V <sub>V3P3A</sub> .....	-0.5V to +4.6V
V <sub>BAT</sub> , V <sub>BAT_RTC</sub> .....	-0.5V to +4.6V
GNDD.....	-0.1V to +0.1V

### Analog Output Pins

V <sub>REF</sub> .....	-10mA to +10mA, -0.5V to (V <sub>V3P3A</sub> + 0.5V)
V <sub>DD</sub> .....	-10mA to +10mA, -0.5V to +3.0V
V <sub>V3P3D</sub> .....	-10mA to +10mA, -0.5V to +4.6V
V <sub>LCD</sub> .....	-10mA to +10mA, -0.5V to +6.0V

### Analog Input Pins

IAP, IAN, VA, IBP, IBN, VB*.....	-10mA to +10mA, -0.5V to (V <sub>V3P3A</sub> + 0.5V)
XIN, XOUT.....	-10mA to +10mA, -0.5V to +3.0V

\*71M6542FT/GT only.

Stresses beyond those listed under "Absolute Maximum Ratings" may cause permanent damage to the device. These are stress ratings only, and functional operation of the device at these or any other conditions beyond those indicated in the operational sections of the specifications is not implied. Exposure to absolute maximum rating conditions for extended periods may affect device reliability.

### SEG and SEGDI0 Pins

Configured as SEG or COM Drivers. -1mA to +1mA, -0.5V to +6.0V  
Configured as Digital Inputs .....-10mA to +10mA, -0.5V to +6.0V  
Configured as Digital Outputs .....-10mA to +10mA, -0.5V to (V<sub>V3P3D</sub> + 0.5V)

### Digital Pins

Inputs (PB, RESET, RX, ICE\_E, TEST).....-10mA to +10mA, -0.5V to +6.0V  
Outputs (TX)..... -10mA to +10mA, -0.5V to (V<sub>V3P3D</sub> + 0.5V)

### Temperature

Operating Junction Temperature (peak, 100ms)..... +140°C  
Operating Junction Temperature (continuous)..... +125°C  
Storage Temperature..... -45°C to +140°C  
Lead Temperature (soldering, 10s) ..... +300°C  
Soldering Temperature (reflow)..... +260°C

## Electrical Characteristics

(Limits are production tested at T<sub>A</sub> = +25°C. Limits over the operating temperature range and relevant supply voltage range are guaranteed by design and characterization.)

PARAMETER	CONDITIONS	MIN	TYP	MAX	UNITS
<b>RECOMMENDED OPERATING CONDITIONS</b>					
V <sub>V3P3SYS</sub> and V <sub>V3P3A</sub> Supply Voltage	Precision metering operation	3.0		3.6	V
V <sub>BAT</sub>	PLL_FAST = 1	2.65		3.8	V
	PLL_FAST = 0	2.40		3.8	
V <sub>BAT_RTC</sub>		2.0		3.8	V
Operating Temperature		-40		+85	°C
<b>INPUT LOGIC LEVELS</b>					
Digital High-Level Input Voltage (V <sub>IH</sub> )		2			V
Digital Low-Level Input Voltage (V <sub>IL</sub> )				0.8	V
Input Pullup Current, (I <sub>IL</sub> ) E_RTXT, E_RST, E_TCLK		10		100	μA
Input Pullup Current, (I <sub>IL</sub> ) OPT_RX, OPT_TX		10		100	μA
Input Pullup Current, (I <sub>IL</sub> ) SPI_CSZ (SEGDI036)		10		100	μA
Input Pullup Current, (I <sub>IL</sub> ) Other Digital Inputs		-1		+1	μA
Input Pulldown Current (I <sub>IH</sub> ), ICE_E, RESET, TEST		10		100	μA
Input Pulldown Current, (I <sub>IH</sub> ) Other Digital Inputs		-1		+1	μA

## Electrical Characteristics (continued)

(Limits are production tested at  $T_A = +25^\circ\text{C}$ . Limits over the operating temperature range and relevant supply voltage range are guaranteed by design and characterization.)

PARAMETER	CONDITIONS	MIN	TYP	MAX	UNITS
<b>OUTPUT LOGIC LEVELS</b>					
Digital High-Level Output Voltage ( $V_{OH}$ )	$I_{LOAD} = 1\text{mA}$	$V_{V3P3D} - 0.4$			V
	$I_{LOAD} = 15\text{mA}$ (Note 1)	$V_{V3P3D} - 0.8$			V
Digital Low-Level Output Voltage ( $V_{OL}$ )	$I_{LOAD} = 1\text{mA}$	0		0.4	V
	$I_{LOAD} = 15\text{mA}$ (Note 1)	0		0.8	V
<b>BATTERY MONITOR</b>					
Battery Voltage Equation: $3.3 + (\text{BSENSE} - \text{BNOM3P3}) \times 0.0252 + \text{STEMP} \times 2.79\text{E-}5 \text{ V}$					
Measurement Error	$V_{BAT} = 2.0\text{V}$	-3.5		+3.5	%
	$V_{BAT} = 2.5\text{V}$	-3.5		+3.5	
	$V_{BAT} = 3.0\text{V}$	-3.0		+3.0	
	$V_{BAT} = 3.8\text{V}$	-3.0		+3.0	
Input Impedance		260			k $\Omega$
Passivation Current	$I_{BAT}(\text{BCURR} = 1) - I_{BAT}(\text{BCURR} = 0)$	50	100	165	$\mu\text{A}$
<b>TEMPERATURE MONITOR</b>					
Temperature Measurement Equation		$22.15 + \text{STEMP} \times 0.085 - 0.0023 \times \text{STEMP} \times \frac{[(\text{STEMP}_{T85P} - \text{STEMP}_{T22P}) / (T_{85P} - T_{22P}) - 12.857]}$			$^\circ\text{C}$
Temperature Error (Note 1)	$T_A = +85^\circ\text{C}$	-3.2		+3.2	$^\circ\text{C}$
	$T_A = 0^\circ\text{C}$ to $+70^\circ\text{C}$	-2.65		+2.65	
	$T_A = -20^\circ\text{C}$	-3.4		+3.4	
	$T_A = -40^\circ\text{C}$	-3.8		+3.8	
$V_{BAT\_RTC}$ Charge per Measurement			2		$\mu\text{C}$
Duration of Temperature Measurement after TEMP_START			22	40	ms
<b>SUPPLY CURRENT</b>					
$V_{V3P3A} + V_{V3P3SYS}$ Supply Current (Note 1)	$V_{V3P3A} = V_{V3P3SYS} = 3.3\text{V}$ ; MPU_DIV = 3 (614kHz MPU clock); PLL_FAST = 1; PRE_E = 0		5.5	6.7	mA
	PLL_FAST = 0		2.6	3.5	
	PRE_E = 1		5.7	6.9	
	PLL_FAST = 0, PRE_E=1		2.6	3.6	



**Electrical Characteristics (continued)**

(Limits are production tested at  $T_A = +25^\circ\text{C}$ . Limits over the operating temperature range and relevant supply voltage range are guaranteed by design and characterization.)

PARAMETER	CONDITIONS	MIN	TYP	MAX	UNITS
Dynamic Current			0.4	0.6	mA/MHz
$V_{BAT}$ Current	Mission mode	-300		+300	nA
	Brownout mode		2.4	3.2	mA
	LCD mode (external $V_{LCD}$ )		0.4	108	nA
	LCD mode (internal $V_{LCD}$ from DAC)		3.0	16	$\mu\text{A}$
	LCD mode ( $V_{BAT}$ )		1.4	3.8	$\mu\text{A}$
	Sleep mode	-300		+300	nA
$V_{BAT\_RTC}$ Current	Brownout mode		400	650	nA
	LCD mode		1.8	4.1	$\mu\text{A}$
	Sleep mode, $T_A \leq 25^\circ\text{C}$		0.7	1.7	$\mu\text{A}$
	Sleep mode, $T_A = 85^\circ\text{C}$ (Note 1)		1.5	3.2	$\mu\text{A}$
Flash Write Current	Maximum flash write rate		7.1	9.3	mA
<b><math>V_{V3P3D}</math> SWITCH</b>					
On-Resistance	$V_{V3P3SYS}$ to $V_{V3P3D}$ , $I_{V3P3D} \leq 1\text{mA}$			11	$\Omega$
	$V_{BAT}$ to $V_{V3P3D}$ , $I_{V3P3D} \leq 1\text{mA}$			11	
$I_{OH}$		9			mA
<b>INTERNAL POWER FAULT COMPARATOR</b>					
Response Time	100mV overdrive, falling	20		200	$\mu\text{s}$
	100mV overdrive, rising			200	
Falling Threshold, 3.0V Comparator		2.83	2.93	3.03	V
Falling Threshold, 2.8V Comparator		2.71	2.81	2.91	V
Difference between 3.0V and 2.8V comparators		47	136	220	mV
Falling Threshold, 2.25V Comparator		2.14	2.33	2.51	V
Falling Threshold, 2.0V Comparator		1.90	2.07	2.23	V
Difference between 2.25V and 2.0V Comparators		0.15	0.25	0.365	V

### Electrical Characteristics (continued)

(Limits are production tested at  $T_A = +25^\circ\text{C}$ . Limits over the operating temperature range and relevant supply voltage range are guaranteed by design and characterization.)

PARAMETER	CONDITIONS	MIN	TYP	MAX	UNITS	
Hysteresis	$T_A = +22^\circ\text{C}$	3.0V comparator	13	45	81	mV
		2.8V comparator	17	42	79	
		2.25V comparator	7	33	71	
		2.0V comparator	4	28	83	
<b>2.5V REGULATOR</b>						
$V_{V2P5}$ Output Voltage	$V_{V3P3} = 3.0\text{V to } 3.8\text{V}$ , $I_{\text{LOAD}} = 0\text{mA}$	2.55	2.65	2.75	V	
$V_{V2P5}$ Load Regulation	$V_{\text{BAT}} = 3.3\text{V}$ , $V_{V3P3} = 0\text{V}$ , $I_{\text{LOAD}} = 0\text{mA to } 1\text{mA}$			40	mV	
Dropout Voltage	$I_{\text{LOAD}} = 5\text{mA}$			440	mV	
	$I_{\text{LOAD}} = 0\text{mA}$			200		
PSSR	$I_{\text{LOAD}} = 0\text{mA}$		5		mV/V	
<b>CRYSTAL OSCILLATOR</b>						
Maximum Output Power to Crystal				1	$\mu\text{W}$	
Adjustment Range, XOUT Capacitance	RTCA_ADJ = 0x7F to 0x00		15		pF	
<b>PLL</b>						
PLL Settling Time	Power-up		3		ms	
	PLL_FAST transition, low to high		3			
	PLL_FAST transition, high to low		3			
	Mode transition, sleep to mission		3			
<b>LCD</b>						
$V_{\text{LCD}}$ Current	$V_{\text{LCD}} = 3.3\text{V}$ , LCD_CLK = 0b11, all segments on		8.1		$\mu\text{A}$	
	$V_{\text{LCD}} = 3.3\text{V}$ , LCD_CLK = 0b10, all segments on		4.6			
	$V_{\text{LCD}} = 3.3\text{V}$ , all segments off			2.1		
	$V_{\text{LCD}} = 5.0\text{V}$ , LCD_CLK = 0b11, all segments on		12.0			
	$V_{\text{LCD}} = 5.0\text{V}$ , LCD_CLK = 0b10, all segments on		4.6			
	$V_{\text{LCD}} = 5.0\text{V}$ , all segments off			3.0		
<b><math>V_{\text{REF}}</math></b>						
$V_{\text{REF}}$ Output Voltage	$T_A = +22^\circ\text{C}$	1.193	1.195	1.197	V	
$V_{\text{REF}}$ Output Impedance	$I_{\text{LOAD}} = -10\mu\text{A to } +10\mu\text{A}$			3.2	$\text{k}\Omega$	
$V_{\text{REF}}$ Power Supply Sensitivity	$V_{V3P3A} = 3.0\text{V to } 3.6\text{V}$	-1.5		+1.5	mV/V	
$V_{\text{REF}}$ Temperature Sensitivity (Note 1)		$V_{\text{REF}T} = V_{\text{REF}22} + (T-22)TC_1 + (T-22)^2TC_2$			V	
		$TC_1 = 151 - 2.77 \times \text{TRIMT}$			$\mu\text{V}/^\circ\text{C}$	
		$TC_2 = -0.528 - 0.00128 \times \text{TRIMT}$			$\mu\text{V}/^\circ\text{C}^2$	
$V_{\text{REF}}$ Error (Note 1)		-40		+40	ppm/ $^\circ\text{C}$	

**Electrical Characteristics (continued)**

(Limits are production tested at  $T_A = +25^\circ\text{C}$ . Limits over the operating temperature range and relevant supply voltage range are guaranteed by design and characterization.)

PARAMETER	CONDITIONS	MIN	TYP	MAX	UNITS
<b>ADC</b>					
Recommended Input Range (All Analog Inputs Relative to $V_{V3P3A}$ )		-250		+250	mV Peak
Recommended Input Range, IADC0–IADC1, Preamp Enabled		-31.25		+31.25	mV Peak
Input Impedance	$f_{IN} = 65\text{Hz}$	40		100	k $\Omega$
ADC Gain Error vs. Power Supply	$V_{IN} = 200\text{mV peak, } 65\text{Hz, } V_{V3P3A} = 3.0\text{V to } 3.6\text{V}$	-30		+70	ppm/%
Input Offset Voltage	Differential or single-ended modes	-10		+10	mV
THD	250mV peak, 65Hz, 64k points, Blackman-Harris window, FIR_LEN = 2, ADC_DIV = 1, PLL_FAST = 1, MUX_DIV = 2		-93		dB
	20mV peak, 65Hz, 64k points, Blackman-Harris window, FIR_LEN = 2, ADC_DIV = 1, PLL_FAST = 1, MUX_DIV = 2		-90		
LSB Size	FIR_LEN = 2, ADC_DIV = 1, PLL_FAST = 1, MUX_DIV = 2		151		nV
Digital Full Scale	FIR_LEN = 2, ADC_DIV = 1, PLL_FAST = 1, MUX_DIV = 2		$\pm 2,097,152$		LSB
<b>PREAMPLIFIER</b>					
Differential Gain		7.88	7.98	8.08	V/V
Gain Variation vs. Temperature	$T_A = -40^\circ\text{C to } +85^\circ\text{C}$ (Note 1)	+15	-25	-30	ppm/ $^\circ\text{C}$
Gain Variation vs. $V_{3P3}$	$V_{V3P3} = 2.97\text{V to } 3.63\text{V}$ (Note 1)	-100		+100	ppm/%
Phase Shift	(Note 1)	+10		+22	$\text{m}^\circ$
Preamp Input Current		3	6	9	$\mu\text{A}$
THD, Preamp + ADC	$V_{IN} = 30\text{mV}$		-88		dB
	$V_{IN} = 15\text{mV}$		-88		
Preamp Input Offset Voltage	IADC0 = IADC1 = $V_{V3P3} + 30\text{mV}$		-0.63		mV
	IADC0 = IADC1 = $V_{V3P3} + 15\text{mV}$		-0.57		
	IADC0 = IADC1 = $V_{V3P3}$		-0.56		
	IADC0 = IADC1 = $V_{V3P3} - 15\text{mV}$		-0.56		
	IADC0 = IADC1 = $V_{V3P3} - 30\text{mV}$		-0.55		
Phase Shift Over Temperature	(Note 1)	-0.03		+0.03	$\text{m}^\circ/\text{C}$

**Electrical Characteristics (continued)**

(Limits are production tested at  $T_A = +25^\circ\text{C}$ . Limits over the operating temperature range and relevant supply voltage range are guaranteed by design and characterization.)

PARAMETER	CONDITIONS	MIN	TYP	MAX	UNITS
<b>FLASH MEMORY</b>					
Endurance		20,000			Cycles
Data Retention	$T_A = +25^\circ\text{C}$	100			Years
Byte Writes Between Erase Operations				2	Cycles
Write Time, per byte	Per 2 bytes if using SPI			50	$\mu\text{s}$
Page Erase Time				22	ms
Mass Erase Time				22	ms
<b>SPI</b>					
Data-to-Clock Setup Time		10			ns
Data Hold Time From Clock		10			ns
Output Delay, Clock to Data				40	ns
CS-to-Clock Setup Time		10			ns
Hold Time, CS to Clock		15			ns
Clock High Period		40			ns
Clock Low Period		40			ns
Clock Frequency (as a multiple of CPU frequency)				2.0	MHz/MHz
Space between SPI Transactions		4.5			CPU Cycles
<b>EEPROM INTERFACE</b>					
I <sup>2</sup> C SCL Frequency	MPU clock = 4.9MHz, using interrupts		310		kHz
	MPU clock = 4.9MHz, bit-banging DIO2-DIO3		100		
3-Wire Write Clock Frequency	MPU clock = 4.9MHz, PLL_FAST = 0		160		kHz
	MPU clock = 4.9MHz, PLL_FAST = 1		490		
<b>RESET</b>					
Reset Pulse Width	(Note 1)	5			$\mu\text{s}$
Reset Pulse Fall Time	(Note 1)			1	$\mu\text{s}$
<b>INTERNAL CALENDAR</b>					
Year Date Range		2000		2255	Years

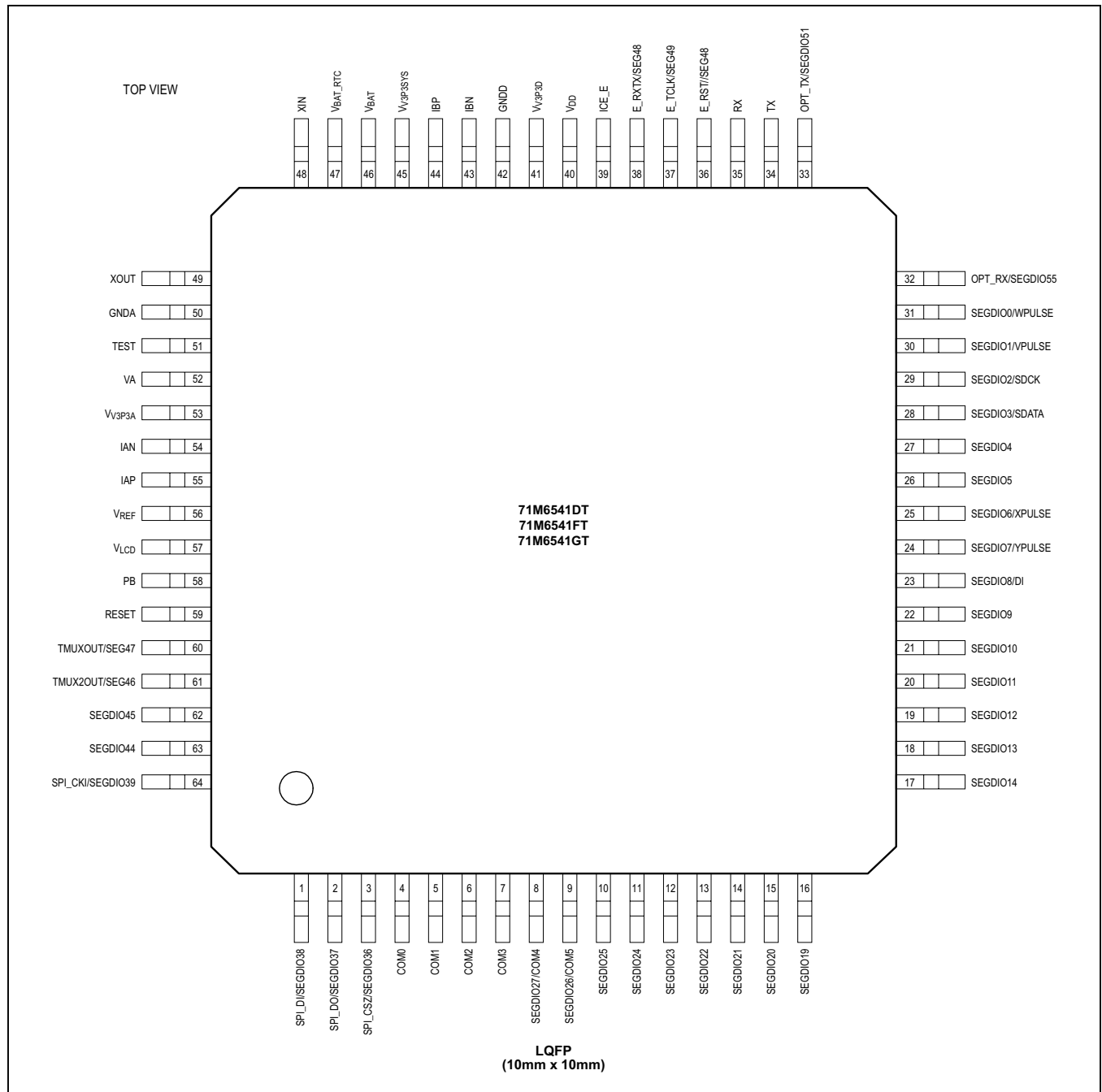
## Recommended External Components

NAME	FROM	TO	FUNCTION	VALUE	UNITS
C1	V <sub>V3P3A</sub>	GNDA	Bypass capacitor for 3.3V supply	≥ 0.1 ±20%	μF
C2	V <sub>V3P3D</sub>	GNDD	Bypass capacitor for 3.3V output	0.1 ±20%	μF
CSYS	V <sub>V3P3SYS</sub>	GNDD	Bypass capacitor for V <sub>V3P3SYS</sub>	≥ 1.0 ±30%	μF
CVDD	V <sub>DD</sub>	GNDD	Bypass capacitor for V <sub>DD</sub>	0.1 ±20%	μF
CVLCD	V <sub>LCD</sub>	GNDD	Bypass capacitor for V <sub>LCD</sub> pin	≥ 0.1 ±20%	μF
XTAL	XIN	XOUT	32.768 kHz crystal; electrically similar to ECS .327-12.5-17X, Vishay XT26T or Suntsu SCP6–32.768kHz TR (load capacitance 12.5pF)	32.768	kHz
CXS (Note 2)	XIN	GNDA	Load capacitor values for crystal depend on crystal specifications and board parasitics. Nominal values are based on 3pF allowance for the sum of board and chip capacitance.	22 ±10%	pF
CXL (Note 2)	XOUT	GNDA		22 ±10%	pF

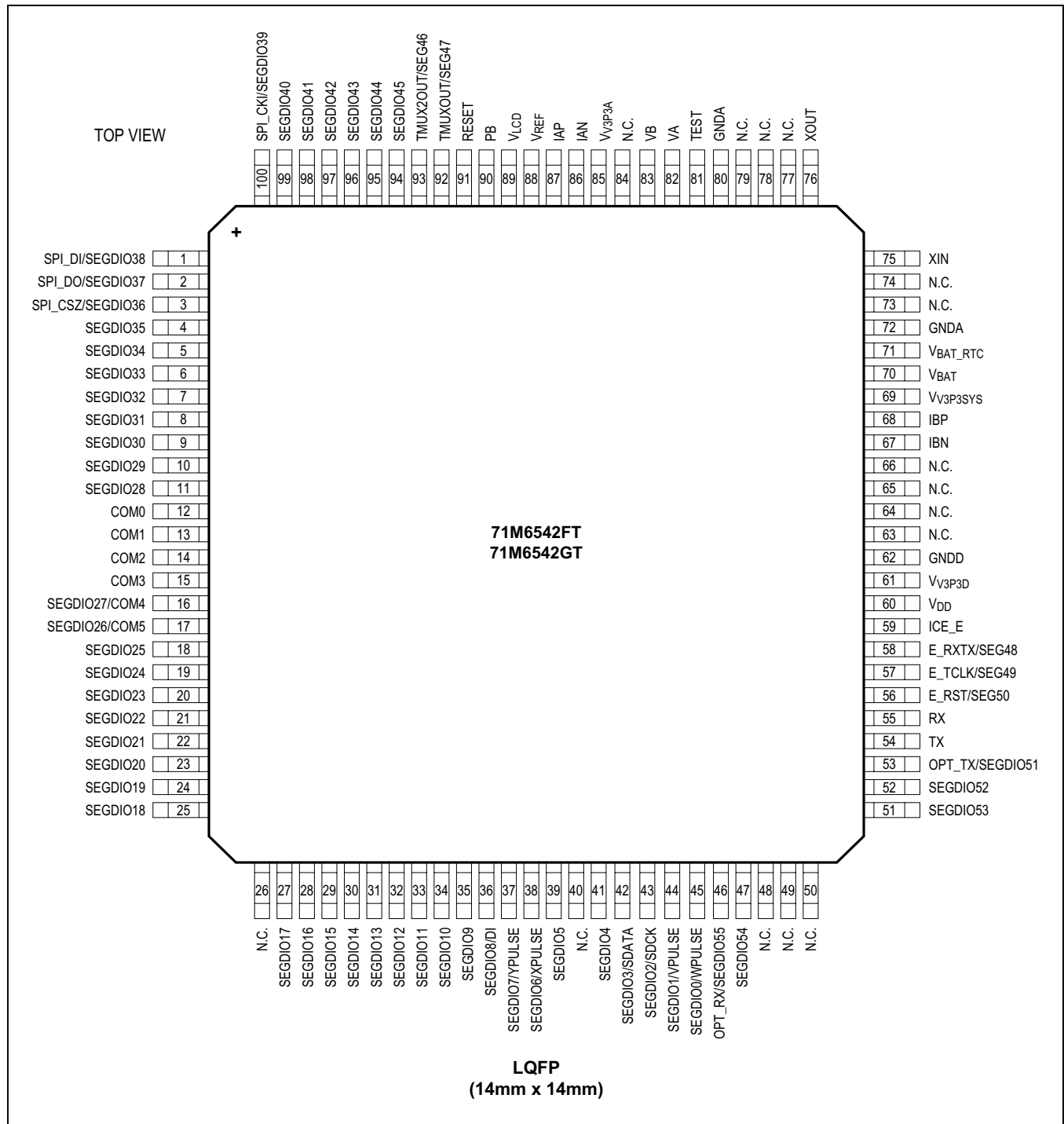
**Note 1:** Parameter not tested in production, guaranteed by design to six-sigma.

**Note 2:** If the capacitor values of CXS = 15pF and CXL = 10pF have already been installed, then changing the CXL value to 33pF and leaving CXS = 15pF would minimize rework.

Pin Configurations



Pin Configurations (continued)



## Pin Descriptions

PIN		NAME	TYPE	CIRCUIT	FUNCTION
64	100				
<b>POWER AND GROUND PINS</b>					
50	72, 80	GNDA	P	—	Analog Ground. This pin should be connected directly to the ground plane.
42	62	GNDD	P	—	Digital Ground. This pin should be connected directly to the ground plane.
53	85	V <sub>V3P3A</sub>	P	—	Analog Power Supply. A 3.3V power supply should be connected to this pin. V <sub>V3P3A</sub> must be the same voltage as V <sub>V3P3SYS</sub> .
45	69	V <sub>V3P3SYS</sub>	P	—	System 3.3V supply. This pin should be connected to a 3.3V power supply.
41	61	V <sub>V3P3D</sub>	O	13	Auxiliary Voltage Output of the Chip. In mission mode, this pin is connected to V <sub>V3P3SYS</sub> by the internal selection switch. In BRN mode, it is internally connected to V <sub>BAT</sub> . V <sub>V3P3D</sub> is floating in LCD and sleep mode. A 0.1μF bypass capacitor to ground must be connected to this pin.
40	60	V <sub>DD</sub>	O	—	Output of the 2.5V Regulator. This pin is powered in MSN and BRN modes. A 0.1μF bypass capacitor to ground should be connected to this pin.
57	89	V <sub>LCD</sub>	O	—	Output of the LCD DAC. A 0.1μF bypass capacitor to ground should be connected to this pin.
46	70	V <sub>BAT</sub>	P	12	Battery Backup Pin to Support the Battery Modes (BRN, LCD). A battery or super capacitor is to be connected between V <sub>BAT</sub> and GNDD. If no battery is used, connect V <sub>BAT</sub> to V <sub>V3P3SYS</sub> .
47	71	V <sub>BAT_RTC</sub>	P	12	RTC and Oscillator Power Supply. A battery or super capacitor is to be connected between V <sub>BAT</sub> and GNDD. If no battery is used, connect V <sub>BAT_RTC</sub> to V <sub>V3P3SYS</sub> .
<b>ANALOG PINS</b>					
55, 54	87, 86	IAP-IAN	I	6	Differential or Single-Ended Line Current Sense Inputs. These pins are voltage inputs to the internal A/D converter. Typically, they are connected to the outputs of current sensors. Unused pins must be tied to V <sub>V3P3A</sub> . Pins IBP-IBN may be configured for communication with the remote sensor interface (71M6x01).
44, 43	68, 67	IBP-IBN			
52	82, 83	VA, VB†	I	6	Line Voltage Sense Inputs. These pins are voltage inputs to the internal A/D converter. Typically, they are connected to the outputs of resistor-dividers. Unused pins must be tied to V <sub>V3P3A</sub> .
56	88	V <sub>REF</sub>	O	9	Voltage Reference for the ADC. This pin should be left unconnected (floating).
48	75	XIN	I	8	Crystal Inputs. A 32.768kHz crystal should be connected across these pins. Typically, a 22pF capacitor is also connected from XIN to GNDA and a 22pF capacitor is connected from XOUT to GNDA. It is important to minimize the capacitance between these pins. See the crystal manufacturer data sheet for details. If an external clock is used, a 150mV <sub>P-P</sub> clock signal should be applied to XIN, and XOUT should be left unconnected.
49	76	XOUT			



Pin Descriptions (continued)

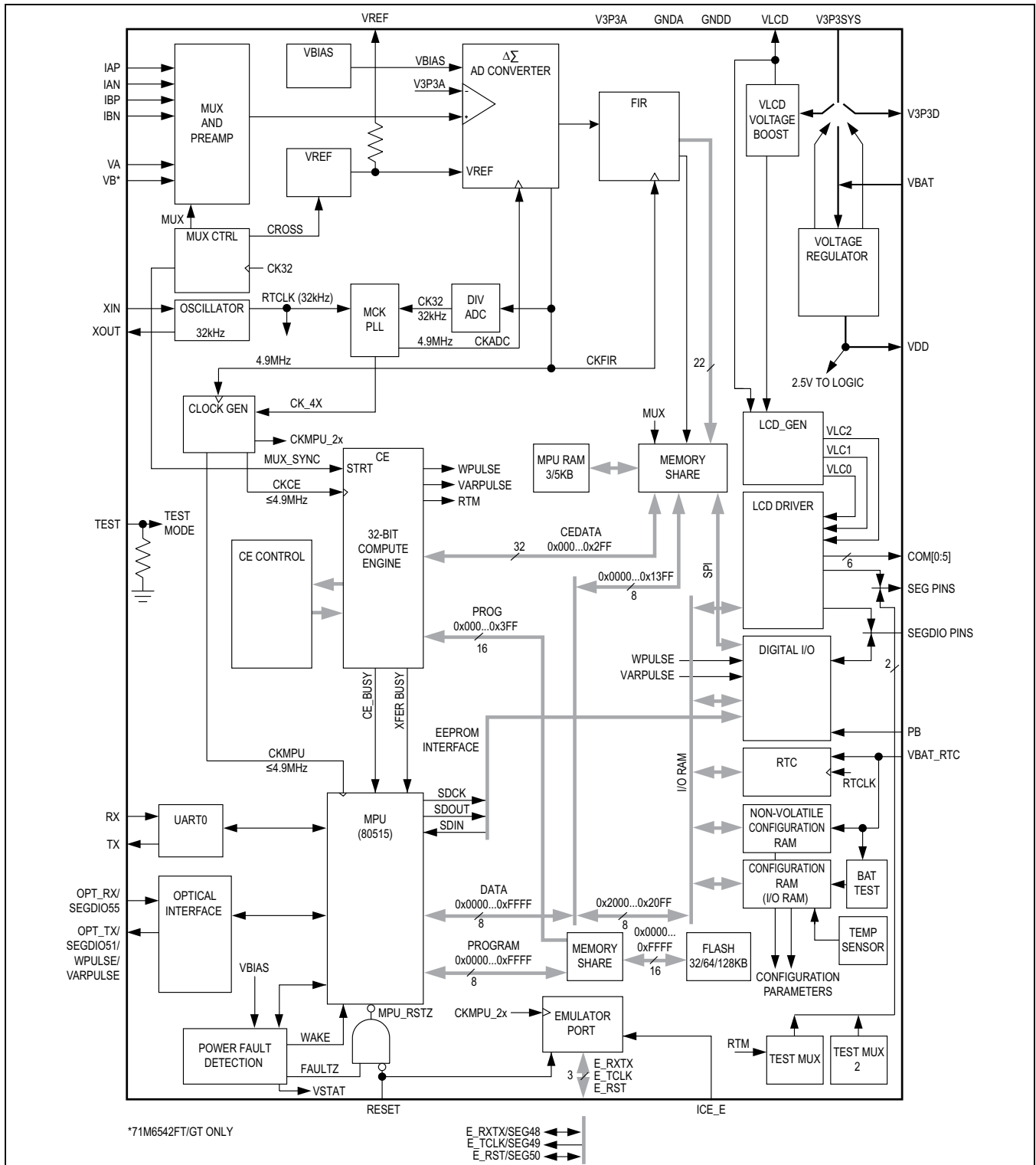
PIN		NAME	TYPE	CIRCUIT	FUNCTION
64	100				
<b>DIGITAL PINS</b>					
4-7	12-15	COM0-COM3	O	5	LCD Common Outputs. These four pins provide the select signals for the LCD display.
31	45	SEGDI00/WPULSE	I/O	3, 4, 5	Multiple-Use Pins. Configurable as either LCD segment driver or DIO. Alternative functions with proper selection of associated I/O RAM registers are: SEGDI00 = WPULSE SEGDI01 = VPULSE SEGDI02 = SDCK SEGDI03 = SDATA SEGDI06 = XPULSE SEGDI07 = YPULSE SEGDI08 = DI SEGDI16 = RX3 SEGDI17 = TX3 Unused pins must be configured as outputs or terminated to V3P3/GNDD.
30	44	SEGDI01/VPULSE			
29	43	SEGDI02/SDCK			
28	42	SEGDI03/SDATA			
27	41	SEGDI04			
26	39	SEGDI05			
25	38	SEGDI06/XPULSE			
24	37	SEGDI07/YPULSE			
23	36	SEGDI08/DI			
22-17	35-30	SEGDI0[9:14]			
—	29-27	SEGDI0[15:17]			
—	25	SEGDI0[18]			
16-10	24-18	SEGDI0[19:25]			
—	11-4	SEGDI0[28:35]			
63-62	95-94	SEGDI0[44:45]			
—	99-96	SEGDI0[40:43]			
—	52	SEGDI052			
—	51	SEGDI053			
—	47	SEGDI054			
9	17	SEGDI026/COM5	I/O	3, 4, 5	Multiple-Use Pins. Configurable as either LCD segment driver or DIO with alternative function (LCD common drivers).
8	16	SEGDI027/COM4			
3	3	SPI_CSZ/SEGDI036	I/O	3, 4, 5	Multiple-Use Pins. Configurable as either LCD segment driver or DIO with alternative function (SPI interface).
2	2	SPI_DO/SEGDI037			
1	1	SPI_DI/SEGDI038			
64	100	SPI_CK/SEGDI039			
33	53	OPT_TX/SEGDI051	I/O	3, 4, 5	Multiple-Use Pins, configurable as either LCD segment driver or DIO with alternative function (optical port/UART1)
32	46	OPT_RX/SEGDI055			
38	58	E_RXTX/SEG48	I/O	1, 4, 5	Multiuse Pins. Configurable as either emulator port pins (when ICE_E pulled high) or LCD segment drivers (when ICE_E tied to GND).
36	56	E_RST/SEG50			
37	57	E_TCLK/SEG49			
39	59	ICE_E	I	2	ICE Enable. When zero, E_RST, E_TCLK, and E_RXTX become SEG50, SEG49, and SEG48, respectively. For production units, this pin should be pulled to GND to disable the emulator port.
60	92	TMUXOUT/SEG47	O	4, 5	Multiple-Use Pins. Configurable as either multiplexer/clock output or LCD segment driver using the I/O RAM registers.
61	93	TMUX2OUT/SEG46			
59	91	RESET	I	2	Chip Reset. This input pin is used to reset the chip into a known state. For normal operation, this pin is pulled low. To reset the chip, this pin should be pulled high. This pin has an internal 30FA (nominal) current source pulldown. No external reset circuitry is necessary.

Pin Descriptions (continued)

PIN		NAME	TYPE	CIRCUIT	FUNCTION
64	100				
35	55	RX	I	3	UART0 Input. If this pin is unused it must be terminated to V <sub>V3P3D</sub> or GNDD.
34	54	TX	O	4	UART0 Output
51	81	TEST	I	7	Enables Production Test. This pin must be grounded in normal operation.
58	90	PB	I	3	Pushbutton Input. This pin must be at GNDD when not active or unused. A rising edge sets the WF_PB flag. It also causes the part to wake up if it is in SLP or LCD mode. PB does not have an internal pullup or pulldown resistor.
—	26, 40, 48, 49, 50, 63, 64, 65, 66, 73, 74, 77, 78, 79, 84	N.C.	N.C.	—	No Connection. Do not connect these pins.

I = Input, O = Output, P = Power

Block Diagram



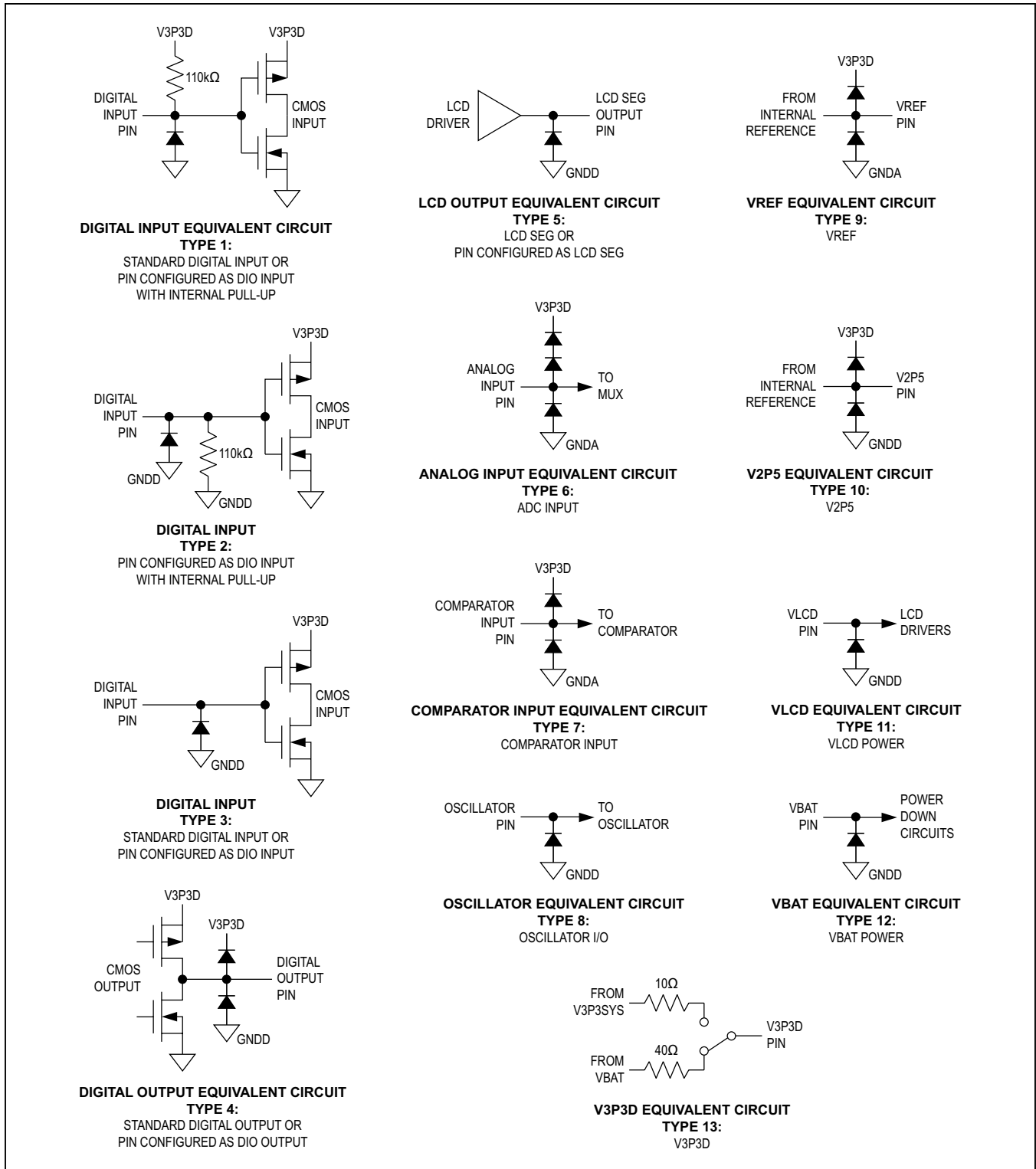


Figure 1. I/O Equivalent Circuits

## Hardware Description

The 71M6541DT/FT/GT and 71M6542FT/GT single-chip energy meter ICs integrate all primary functional blocks required to implement a solid-state residential electricity meter. Included on the chip are the following:

- An analog front-end (AFE) featuring a 22-bit second-order sigma-delta ADC
- An independent 32-bit digital computation engine (CE) to implement DSP functions
- An 8051-compatible microprocessor (MPU) which executes one instruction per clock cycle (80515)
- A precision voltage reference ( $V_{REF}$ )
- A temperature sensor for digital temperature compensation:
  - Metrology digital temperature compensation (MPU)
  - Automatic RTC digital temperature compensation operational in all power states
- LCD drivers
- RAM and flash memory
- A real-time clock (RTC)
- A variety of I/O pins
- A power-failure interrupt
- A zero-crossing interrupt
- Selectable current sensor interfaces for locally-connected sensors as well as isolated sensors (i.e., using the 71M6x01 companion IC with a shunt resistor sensor)
- Resistive shunt and current transformers are supported

Resistive shunts and current transformer (CT) current sensors are supported. Resistive shunt current sensors may be connected directly to the 71M654xT device or isolated using a companion 71M6x01 isolator IC in order to implement a variety of single-phase/split-phase (71M6541DT/FT/GT) or two-phase (71M6542FT/GT) metering configurations. An inexpensive, small pulse transformer is used to isolate the 71M6x01 isolated sensor from the 71M654xT. The 71M654xT performs digital communications bidirectionally with the 71M6x01 and also provides power to the 71M6x01 through the isolating pulse transformer. Isolated (remote) shunt current sensors are connected to the differential input of the 71M6x01. Included on the 71M6x01 companion isolator chip are:

- Digital isolation communications interface
- An analog front-end (AFE)

- A precision voltage reference ( $V_{REF}$ )
- A temperature sensor (for digital temperature compensation)
- A fully differential shunt resistor sensor input
- A preamplifier to optimize shunt current sensor performance
- Isolated power circuitry obtains dc power from pulses sent by the 71M654xT

In a typical application, the 32-bit compute engine (CE) of the 71M654xT sequentially processes the samples from the voltage inputs on analog input pins and from the external 71M6x01 isolated sensors and performs calculations to measure active energy (Wh) and reactive energy (VARh), as well as A<sup>2</sup>h, and V<sup>2</sup>h for four-quadrant metering. These measurements are then accessed by the MPU, processed further and output using the peripheral devices available to the MPU.

In addition to advanced measurement functions, the clock function allows the 71M6541DT/FT/GT and 71M6542FT/GT to record time-of-use (TOU) metering information for multi-rate applications and to time-stamp tamper or other events. Measurements can be displayed on 3.3V LCDs commonly used in low-temperature environments. Flexible mapping of LCD display segments facilitate integration of existing custom LCDs. Design trade-off between the number of LCD segments and DIO pins can be implemented in software to accommodate various requirements.

In addition to the temperature-trimmed ultra-precision voltage reference, the on-chip digital temperature compensation mechanism includes a temperature sensor and associated controls for correction of unwanted temperature effects on measurement and RTC accuracy, e.g., to meet the requirements of ANSI and IEC standards. Temperature-dependent external components such as crystal oscillator, resistive shunts, current transformers (CTs) and their corresponding signal conditioning circuits can be characterized and their correction factors can be programmed to produce electricity meters with exceptional accuracy over the industrial temperature range.

One of the two internal UARTs is adapted to support an Infrared LED with internal drive and sense configuration and can also function as a standard UART. The optical output can be modulated at 38kHz. This flexibility makes it possible to implement AMR meters with an IR interface. See the [Block Diagram](#).

**Analog Front-End (AFE)**

The AFE functions as a data acquisition system, controlled by the MPU. When used with locally connected sensors, as shown in [Figure 2](#), the analog input signals (IAP-IAN, VA and IBP-IBN) are multiplexed to the ADC input and sampled by the ADC.

The ADC output is decimated by the FIR filter and stored in CE RAM where it can be accessed and processed by the CE.

When a remote isolated shunt sensor is connected via the 71M6x01, the samples associated with this current channel are not routed to the multiplexer, and are instead

transferred digitally to the 71M6541DT/FT/GT through the digital isolation interface and are directly stored in CE RAM.

When local sensors are used, the analog input signals (IAP-IAN, VA, IBP-IBN and VB) are multiplexed to the ADC input and sampled by the ADC. The ADC output is decimated by the FIR filter and stored in CE RAM where it can be accessed and processed by the CE.

When a remote isolated shunt sensor is connected using a 71M6x01 connected to the 71M6542FT/GT, the samples associated with this current channel are not routed to the multiplexer, and are instead transferred digitally to the 71M6542FT/GT through the digital isolation interface and are directly stored in CE RAM.

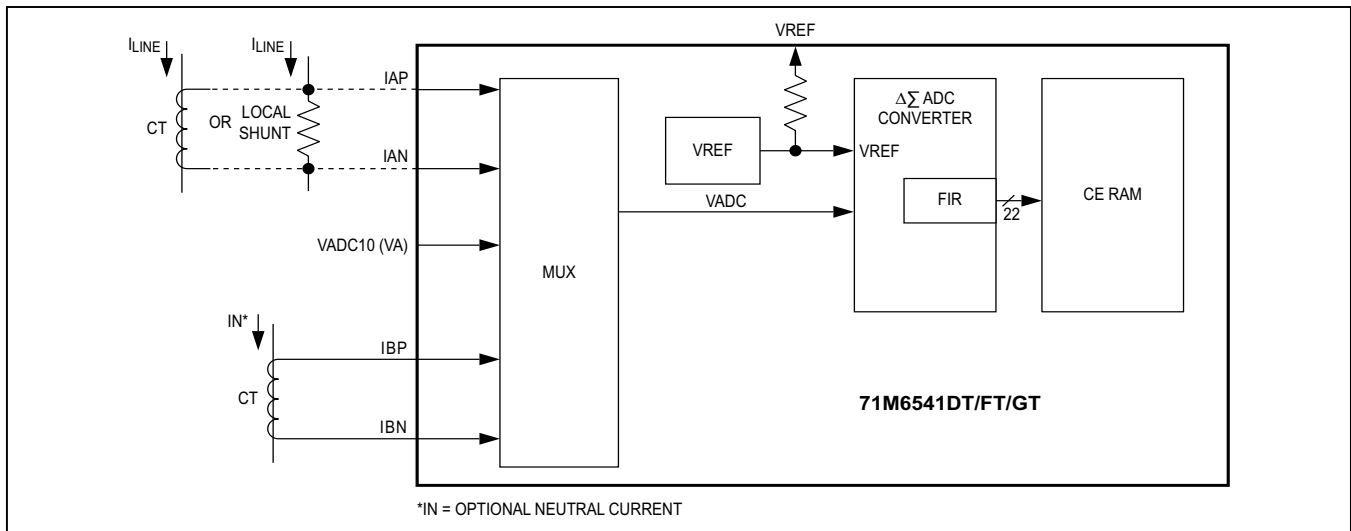


Figure 2. 71M6541DT/FT/GT Operating with Local Sensors

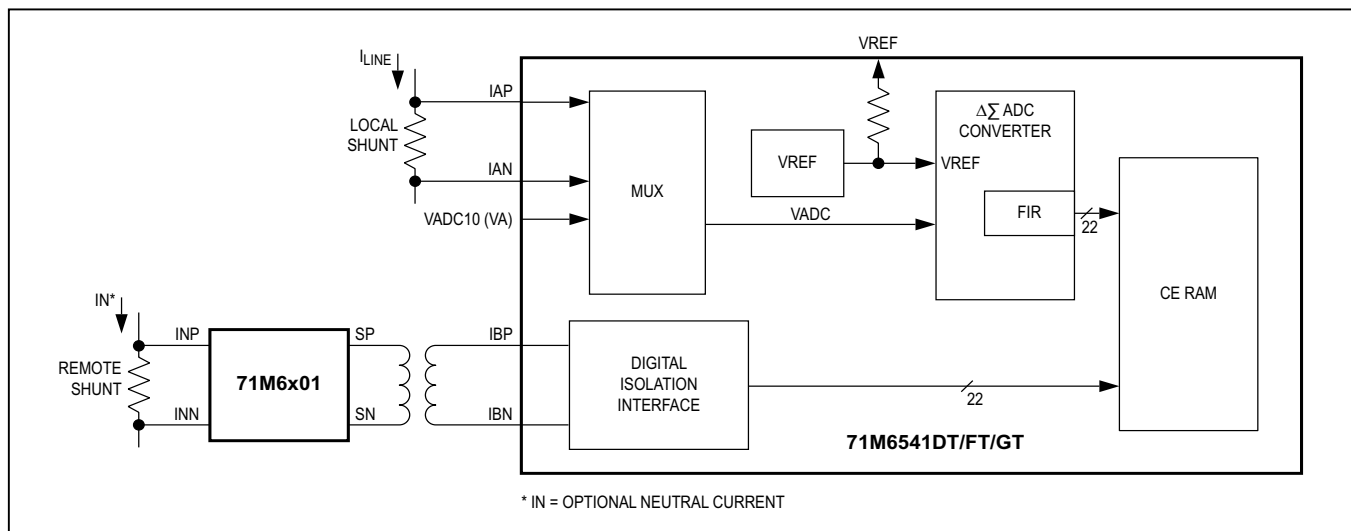


Figure 3. 71M6541DT/FT/GT Operating with Remote Sensor for Neutral Current

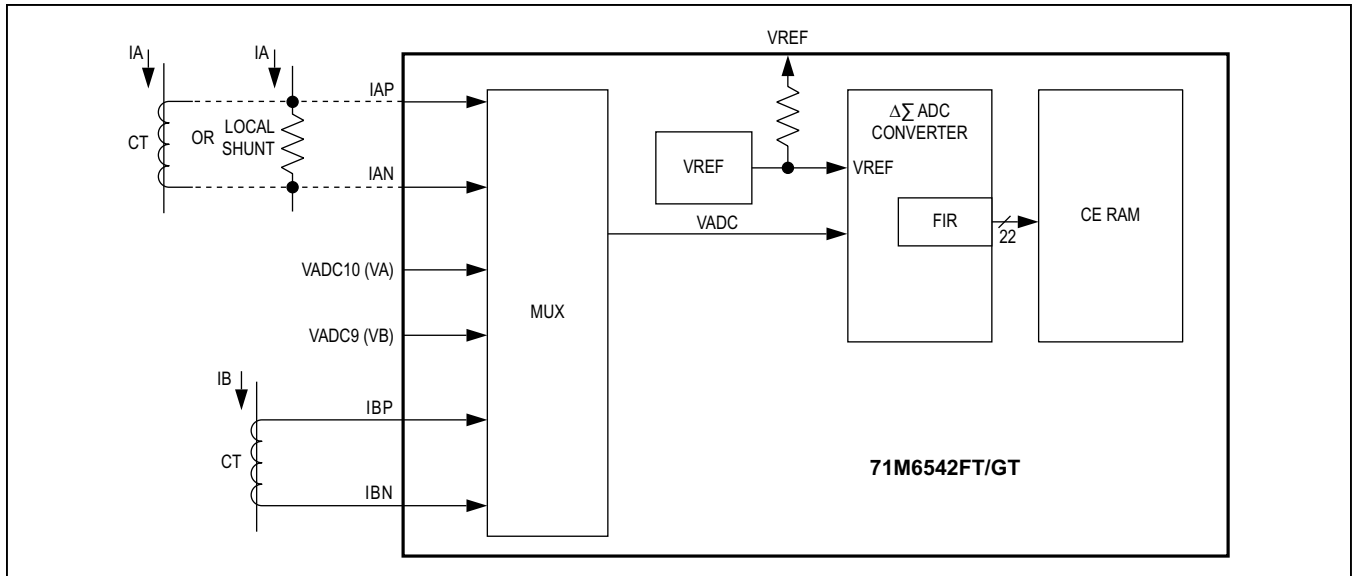


Figure 4. 71M6542FT/GT Operating with Local Sensors

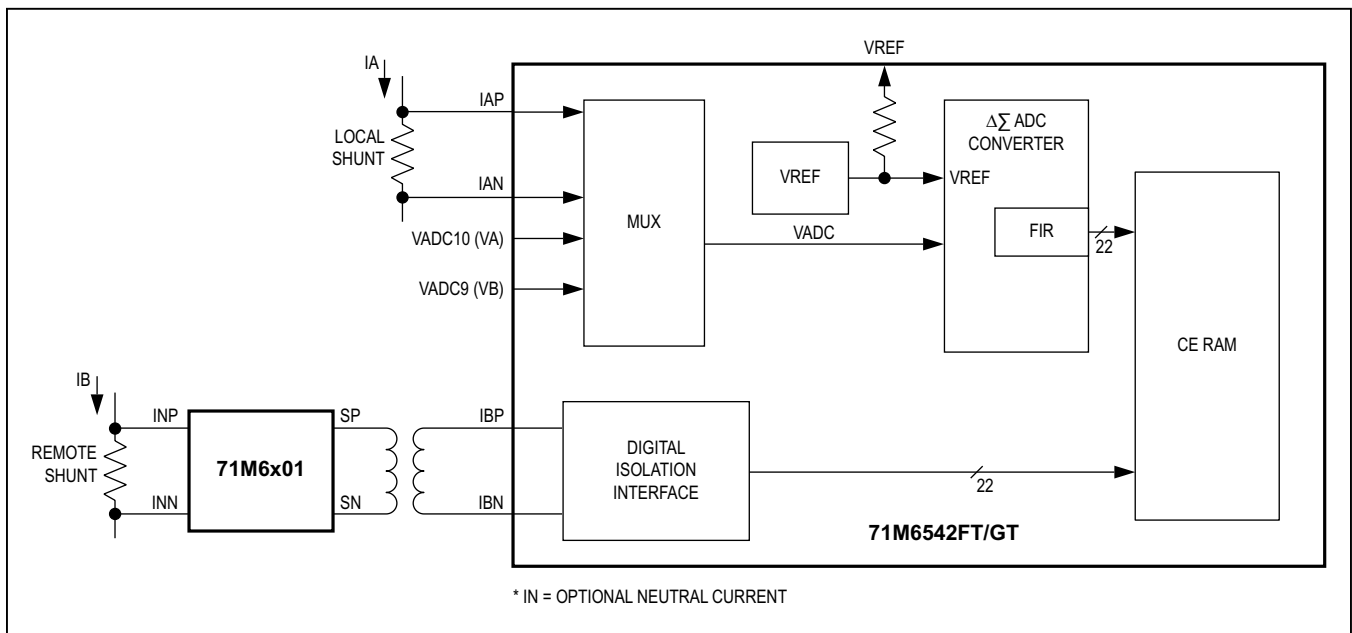


Figure 5. 71M6542FT/GT Operating with Remote Sensor for Neutral Current

### Signal Input Pins

The 71M6541DT/FT/GT features five ADC inputs. The 71M6542FT/GT features six ADC inputs.

IAP-IAN and IBP-IBN are intended for use as current sensor inputs. These four current sensor inputs can be configured as two single-ended inputs, or (more frequently) can be paired to form two differential inputs. For best performance, it is recommended to configure the current sensor inputs as differential inputs (i.e., IAP-IAN and IBP-IBN). The first differential input (IAP-IAN) features a pre-amplifier with a selectable gain of 1 or 8, and is intended for direct connection to a shunt resistor sensor, and can also be used with a current transformer (CT). The remaining differential pair (i.e., IBP-IBN) may be used with CTs, or may be enabled to interface to a remote 71M6x01 isolated current sensor providing isolation for a shunt resistor sensor using a low cost pulse transformer.

The remaining input in the 71M6541DT/FT/GT (VA) is single-ended, and is senses line voltage in single-phase meter applications. The 71M6542FT/GT features an additional single-ended voltage sensing input (VB) to support biphasic applications. These single-ended inputs are referenced to the  $V_{V3P3A}$  pin.

All analog signal input pins measure voltage. In the case of shunt current sensors, currents are sensed as a voltage drop in the shunt resistor sensor. Referring to [Figure 2](#), shunt sensors can be connected directly to the 71M654xT (referred to as a 'local' shunt sensor) or connected through an isolated 71M6x01 (referred to as a 'remote' shunt sensor) ([Figure 3](#)). In the case of current transformers, the current is measured as a voltage across a burden resistor that is connected to the secondary winding of the CT. Meanwhile, line voltages are sensed through resistive voltage dividers. The VA and VB pins (VB is available in the 71M6542FT/GT only) are single-ended and their common return is the  $V_{V3P3A}$  pin.

Pins IAP-IAN can be programmed individually to be differential or single-ended. For most applications IAP-IAN are configured as a differential input to work with a shunt or CT directly interfaced to the IAP-IAN differential input with the appropriate external signal conditioning components.

The performance of the IAP-IAN pins can be enhanced by enabling a preamplifier with a fixed gain of 8. When the PRE\_E bit = 1, IAP-IAN become the inputs to the 8x pre-amplifier, and the output of this amplifier is supplied to the multiplexer. The 8x amplification is useful when current sensors with low sensitivity, such as shunt resistors, are used. With PRE\_E set, the IAP-IAN input signal amplitude is restricted to 31.25 mV peak.

For the 71M654xT application utilizing two shunt resistor sensors the IAP-IAN pins are configured for differential mode to interface to a local shunt by setting the DIFFA\_E control bit. Meanwhile, the IBP-IBN pins are re-configured as digital balanced pair to communicate with a 71M6x01 isolated sensor interface by setting the RMT\_E control bit. The 71M6x01 communicates with the 71M654xT using a bidirectional digital data stream through an isolating low-cost pulse transformer. The 71M654xT also supplies power to the 71M6x01 through the isolating transformer.

When using current transformers the IBP-IBN pins are configured as local analog inputs (RMT\_E = 0). The IAP-IAN pins cannot be configured as a remote sensor interface.

### Input Multiplexer

When operating with local sensors, the input multiplexer sequentially applies the input signals from the analog input pins to the input of the ADC. One complete sampling sequence is called a multiplexer frame. The multiplexer of the 71M6541DT/FT/GT can select up to three input signals (IAP-IAN, VA, and IBP-IBN) per multiplexer frame. The multiplexer of the 71M6542FT/GT adds the VB signal for a total of four inputs. The multiplexer always starts at state 1 and proceeds until as many states as determined by MUX\_DIV[3:0] have been converted.

The 71M6541DT/FT/GT and 71M6542FT/GT each require a unique CE code that is written for the specific application. Moreover, each CE code requires specific AFE and MUX settings in order to function properly. Contact Maxim Integrated for specific information about alternative CE codes.

For a basic single-phase application, the IAP-IAN current input is configured for differential mode and the VA pin is single-ended and is typically connected to the phase voltage via a resistor divider. The IBP-IBN differential input may be optionally used to sense the neutral current. This configuration implies that the multiplexer applies a total of three inputs to the ADC. In this configuration IAP-IAN (line current), IBP-IBN (neutral current) and VA (line voltage) are sampled. If the application doesn't require sampling the neutral current, the IBP-IBN inputs can be connected to  $V_{V3P3A}$  and the current sensor for the neutral current measurement can be omitted.

If a tamper sensor in the neutral path is required, there are two options: first, the two current inputs (the pin pairs IAP-IAN and IBP-IBN) can be configured for differential mode. In this configuration, the multiplexer sequentially applies each of the three inputs to the ADC. Alternately, the IAP-IAN pin pair can be configured as a differential input and connected to a local current shunt, and IBP-IBN



configured to connect to an isolated 71M6x01 isolated sensor. When the remote isolated sensor is used, time slot 2 is unused and ignored by the CE, as the samples corresponding to the remote sensor (IBP-IBN) do not pass through the multiplexer and are stored directly in CE RAM. The remote current sensor channel is sampled during the second half of the multiplexer frame and its timing relationship to the VA voltage is precisely known so that delay compensation can be properly applied.

The 71M6542FT/GT adds the ability to sample a second phase voltage (applied at the VB pin), which makes it suitable for meters with two voltage and two current sensors, such as meters implementing Equation 2 for dual-phase operation ( $P = VA \times IA + VB \times IB$ ).

For both multiplexer sequences (three-input or four-input), the frame duration is 13 CK32 cycles (where CK32 = 32,768Hz) making the resulting sample rate  $32,768\text{Hz}/13 = 2520.6\text{Hz}$ .

### Delay Compensation

When measuring the energy of a phase (i.e., Wh and VARh) in a service, the voltage and current for that phase must be sampled at the same instant. Otherwise, the phase difference,  $\Phi$ , introduces errors.

$$\phi = \frac{t_{\text{delay}}}{T} \cdot 360^\circ = t_{\text{delay}} \cdot f \cdot 360^\circ$$

Where  $f$  is the frequency of the input signal,  $T = 1/f$  and  $t_{\text{delay}}$  is the sampling delay between current and voltage.

Traditionally, sampling is accomplished by using two A/D converters per phase (one for voltage and the other one for current) controlled to sample simultaneously. Our Single Converter Technology, however, exploits the 32-bit signal processing capability of its CE to implement “constant delay” allpass filters. The allpass filter corrects for the conversion time difference between the voltage and

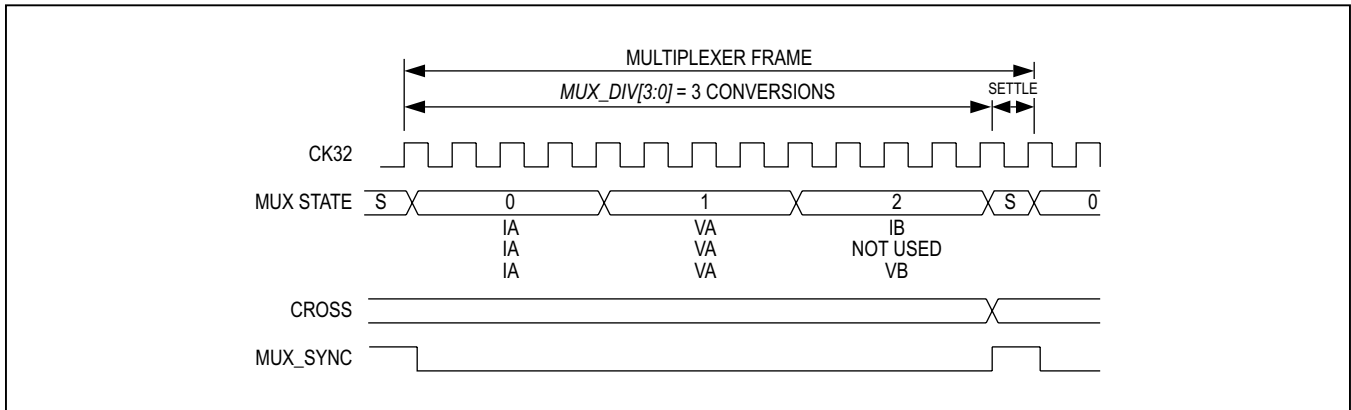


Figure 6. Multiplexer Sequence with MUX\_DIV = 3

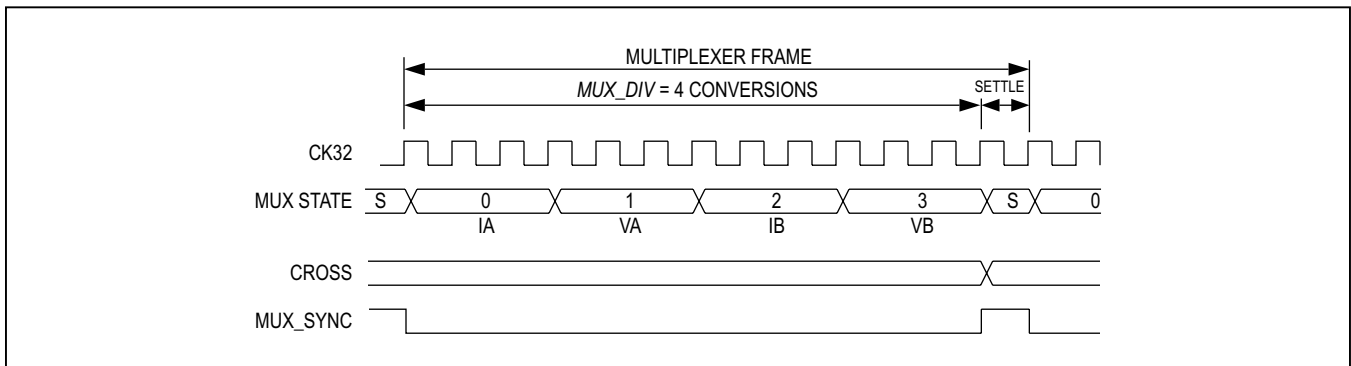


Figure 7. Multiplexer Sequence with MUX\_DIV = 4

the corresponding current samples that are obtained with a single multiplexed A/D converter.

The “constant delay” allpass filter provides a broad-band delay  $360^\circ - \theta$ , which is precisely matched to the difference in sample time between the voltage and the current of a given phase. This digital filter does not affect the amplitude of the signal, but provides a precisely controlled phase response.

The recommended ADC multiplexer sequence samples the current first, immediately followed by sampling of the corresponding phase voltage, thus the voltage is delayed by a phase angle  $\Phi$  relative to the current. The delay compensation implemented in the CE aligns the voltage samples with their corresponding current samples by first delaying the current samples by one full sample interval (i.e.,  $360^\circ$ ), then routing the voltage samples through the allpass filter, thus delaying the voltage samples by  $360^\circ - \theta$ , resulting in the residual phase error between the current and its corresponding voltage of  $B - \Phi$ . The residual phase error is negligible, and is typically less than  $\pm 1.5$  milli-degrees at 100Hz, thus it does not contribute to errors in the energy measurements.

When using remote sensors, the CE performs the same delay compensation described above to align each voltage sample with its corresponding current sample. Even though the remote current samples do not pass through the 71M654xT multiplexer, their timing relationship to their corresponding voltages is fixed and precisely known.

#### ADC Preamplifier

The ADC preamplifier is a low-noise differential amplifier with a fixed gain of 8 available only on the IAP-IAN sensor input pins. A gain of 8 is enabled by setting  $PRE\_E = 1$ . When disabled, the supply current of the preamplifier is  $< 10$  nA and the gain is unity. With proper settings of the  $PRE\_E$  and  $DIFFA\_E$  (I/O RAM 0x210C[4]) bits, the

preamplifier can be used whether or not differential mode is selected. For best performance, the differential mode is recommended. In order to save power, the bias current of the preamplifier and ADC is adjusted according to the  $ADC\_DIV$  control bit (I/O RAM 0x2200[5]).

#### Analog-to-Digital Converter (ADC)

A single 2nd-order delta-sigma ADC digitizes the voltage and current inputs to the device. The resolution of the ADC, including the sign bit, is 21 bits ( $FIR\_LEN[1:0] = 1$ ), or 22 bits ( $FIR\_LEN[1:0] = 2$ ).

Initiation of each ADC conversion is controlled by  $MUX\_CTRL$  internal circuit. At the end of each ADC conversion, the FIR filter output data is stored into the CE RAM location determined by the multiplexer selection. FIR data is stored LSB justified, but shifted left 9 bits.

#### FIR Filter

The finite impulse response filter is an integral part of the ADC and it is optimized for use with the multiplexer. The purpose of the FIR filter is to decimate the ADC output to the desired resolution. At the end of each ADC conversion, the output data is stored into the fixed CE RAM location determined by the multiplexer selection.

#### Voltage References

A bandgap circuit provides the reference voltage to the ADC. The  $V_{REF}$  band-gap amplifier is chopper-stabilized to remove the dc offset voltage. This offset voltage is the most significant long-term drift mechanism in voltage reference circuits.

#### Isolated Sensor Interface

Nonisolating sensors, such as shunt resistors, can be connected to the inputs of the 71M654xT through a combination of a pulse transformer and a 71M6x01 isolated sensor interface. The 71M6x01 receives power directly from

**Table 1. ADC Input Configuration**

PIN	ADC CHANNEL	REQUIRED SETTING	COMMENT
IAP	ADC0	$DIFFA\_E = 1$	Differential mode must be selected with $DIFFA\_E = 1$ . The ADC results are stored in ADC0 and ADC1 is not disturbed.
IAN	ADC1		
IBP	ADC2	$DIFFB\_E = 1$ or $RMT\_E = 1$	For locally connected sensors the differential input must be enabled by setting $DIFFB\_E$ . For the remote connected sensor with a remote shunt, $RMT\_E$ must be set. In both cases, the ADC results are stored in RAM location $ADC2$ and $ADC3$ is not disturbed.
IBN	ADC3		
VA	ADC10	—	Single-ended mode only. The ADC result is stored in $ADC10$ .
VB	ADC9	—	Single-ended mode only (71M6542FT/GT only). The ADC result is stored in RAM location $ADC9$ .

the 71M654xT through a pulse transformer and does not require a dedicated power supply circuit. The 71M6x01 establishes 2-way communication with the 71M654xT, supplying current samples and auxiliary information such as sensor temperature via a serial data stream.

One 71M6x01 isolated sensor can be supported by the 71M6541DT/FT/GT and 71M6542FT/GT. When remote interface IBP-IBN is enabled, the two analog current inputs pins IBP and IBN become a digital balanced differential interface to the remote sensor. Each 71M6x01 isolated sensor consists of the following building blocks:

- Power supply for power pulses received from the 71M654xT
- Digital communications interface
- Shunt signal preamplifier
- Delta-sigma ADC converter with precision bandgap reference (chopping amplifier)
- Temperature sensor
- Fuse system containing part-specific information

During an ordinary multiplexer cycle, the 71M654xT internally determines which other channels are enabled. At the same time, it decimates the modulator output from the 71M6x01 isolated sensors. Each result is written to CE RAM during one of its CE access time slots.

The ADC of the 71M6x01 derives its timing from the power pulses generated by the 71M654xT and as a result, operates its ADC slaved to the frequency of the power pulses. The generation of power pulses, as well as the communication protocol between the 71M654xT and 71M6x01 isolated sensor is automatic and transparent to the user.

The 71M654xT can read data and status from, and can write control information to the 71M6x01 isolated sensor. With hardware and trim-related information on each connected 71M6x01 isolated sensor available to the 71M6541DT/FT/GT, the MPU can implement temperature compensation of the energy measurement based on the individual temperature characteristics of the 71M6x01 isolated sensor.

## Digital Computation Engine (CE)

The CE, a dedicated 32-bit signal processor, performs the precision computations necessary to accurately measure energy. The CE calculations and processes include:

- Multiplication of each current sample with its associated voltage sample to obtain the energy per sample (when multiplied with the constant sample time).

- Frequency-insensitive delay cancellation on all four channels (to compensate for the delay between samples caused by the multiplexing scheme).
- 90° phase shifter (for VAR calculations).
- Pulse generation.
- Monitoring of the input signal frequency (for frequency and phase information).
- Monitoring of the input signal amplitude (for sag detection).
- Scaling of the processed samples based on calibration coefficients.
- Scaling of samples based on temperature compensation information.

## Meter Equations

The 71M6541DT/FT/GT and 71M6542FT/GT provide hardware assistance to the CE in order to support various meter equations. The compute engine firmware for industrial configurations can implement the equations listed in [Table 2](#). EQU[2:0] specifies the equation to be used based on the meter configuration and on the number of phases used for metering.

## Real-Time Monitor

The CE contains a real-time monitor (RTM), which can be programmed to monitor four selectable XRAM locations at full sample rate. The four monitored locations are serially output to the TMUXOUT pin via the digital output multiplexer at the beginning of each CE code pass. The RTM can be enabled and disabled with control bit RTM\_E. The RTM output is clocked by CKTEST. Each RTM word is clocked out in 35 CKCE cycles (1 CKCE cycle is equivalent to 203ns) and contains a leading flag bit.

## Pulse Generators

The 71M6541DT/FT/GT and 71M6542FT/GT provide four pulse generators, VPULSE, WPULSE, XPULSE and YPULSE, as well as hardware support for the VPULSE and WPULSE pulse generators. The pulse generators can be used to output CE status indicators (for example, voltage sag) to DIO pins. All pulses can be configured to generate interrupts to the MPU.

The polarity of the pulses may be inverted with control bit PLS\_INV. When this bit is set, the pulses are active high, rather than the more usual active low. PLS\_INV inverts all four pulse outputs.

The function of each pulse generator is determined by the CE code and the MPU code must configure the corresponding pulse outputs in agreement with the CE code.

**Table 2. Inputs Selected in Multiplexer Cycles**

EQU	Description	Wh and VARh formula			Recommended Multiplexer Sequence
		Element 0	Element 1	Element 2	
0	1-element, 2-W, 1φ with neutral current sense	VA · IA	VA · IB <sup>1</sup>	N/A	IA VA IB <sup>1</sup>
1	1-element, 3-W, 1φ	VA(IA-IB)/2	N/A	N/A	IA VA IB
2 †	2-element, 3-W, 1φ	VA · IA	VB · IB	N/A	IA VA IB VB

**Note:** *Optionally, IB can be used to measure neutral current.*

†71M6542FT/GT only.

For example, standard CE code produces a mains zero-crossing pulse on XPULSE and a SAG pulse on YPULSE.

A common use of the zero-crossing pulses is to generate interrupt in order to drive real-time clock software in places where the mains frequency is sufficiently accurate to do so and also to adjust for crystal aging. A common use for the SAG pulse is to generate an interrupt that alerts the MPU when mains power is about to fail, so that the MPU code can store accumulated energy and other data to EEPROM before the V<sub>3P3SYS</sub> supply voltage actually drops.

**XPULSE and YPULSE**

Pulses generated by the CE may be exported to the XPULSE and YPULSE pulse output pins. Pins SEGDI06 and SEGDI07 are used for these pulses, respectively. Generally, the XPULSE and YPULSE outputs can be updated once on each pass of the CE code.

**VPULSE and WPULSE**

By default, WPULSE emits a pulse proportional to real energy consumed, and VPULSE emits a pulse proportional to reactive energy. During each CE code pass the hardware stores exported WPULSE and VPULSE sign bits in an 8-bit FIFO and sends the buffered sign bits to the output pin at a specified, known interval. This permits the CE code to calculate the VPULSE and WPULSE outputs at the beginning of its code pass and to rely on hardware to spread them over the multiplexer frame.

**80515 MPU Core**

The 71M6541DT/FT/GT and 71M6542FT/GT include an 80515 MPU (8-bit, 8051-compatible) that processes most instructions in one clock cycle: a 4.9MHz clock results in a processing throughput of 4.9 MIPS. The 80515 architecture eliminates redundant bus states and implements parallel execution of fetch and execution phases. Normally, a machine cycle is aligned with a memory fetch, therefore, most of the 1-byte instructions are performed in a single machine cycle (MPU clock cycle). This leads to an 8x

average performance improvement (in terms of MIPS) over the 8051 device running at the same clock frequency.

The CKMPU frequency is a function of the MCK clock (19.6608MHz) divided by the MPU clock divider which is set in the I/O RAM control field MPU\_DIV[2:0]. Actual processor clocking speed can be adjusted to the total processing demand of the application (metering calculations, AMR management, memory management, LCD driver management and I/O management) using MPU\_DIV[2:0], as shown in [Table 3](#).

**Memory Organization and Addressing**

The 80515 MPU core incorporates the Harvard architecture with separate code and data spaces. Memory organization in the 80515 is similar to that of the industry standard 8051. There are three memory areas: program memory (flash, shared by MPU and CE), external RAM (data RAM, shared by the CE and MPU, configuration or I/O RAM), and internal data memory (internal RAM).

**Program Memory**

The 80515 can address up to 64KB of program memory space (0x0000 to 0xFFFF). Program memory is read when the MPU fetches instructions or performs a MOVC operation.

After reset, the MPU starts program execution from program memory location 0x0000. The lower part of the pro-

**Table 3. CKMPU Clock Frequencies**

MPU_DIV [2:0]	CKMPU FREQUENCY
000	4.9152MHz
001	2.4576MHz
010	1.2288MHz
011	614.4kHz
100	307.2kHz
101	
110	
111	

gram memory includes reset and interrupt vectors. The interrupt vectors are spaced at 8-byte intervals, starting from code space location 0x0003.

**MPU External Data Memory (XRAM)**

Both internal and external memory is physically located on the 71M654xT device. The external memory referred in this documentation is only external to the 80515 MPU core.

3KB of RAM starting at address 0x0000 is shared by the CE and MPU. The CE normally uses the first 1KB, leaving 2KB for the MPU. Different versions of the CE code use varying amounts. Consult the documentation for the specific code version being used for the exact limit.

**MOVX Addressing**

There are two types of instructions differing in whether they provide an 8-bit or 16-bit indirect address to the external data RAM:

- MOVX A,@Ri: The contents of R0 or R1 in the current register bank provide the eight low-order address bits with the eight high-order bits specified by the PDATA SFR. This method allows the user paged access (256 pages of 256 bytes each) to all ranges of the external data RAM.
- MOVX A,@DPTR: The data pointer generates a 16-bit address. This form is faster and more efficient when

accessing very large data arrays (up to 64KB) since no additional instructions are needed to set up the eight high ordered bits of the address.

It is possible to mix the two MOVX types. This provides the user with four separate data pointers, two with direct access and two with paged access, to the entire external memory range.

**Dual Data Pointer**

The Dual Data Pointer accelerates the block moves of data. The standard DPTR is a 16-bit register that is used to address external memory or peripherals. In the 80515 core, the standard data pointer is called DPTR, the second data pointer is called DPTR1. The data pointer select bit, located in the LSB of the DPS register, chooses the active pointer. DPTR is selected when DPS[0] = 0 and DPTR1 is selected when DPS[0] = 1.

The user switches between pointers by toggling the LSB of the DPS register. The values in the data pointers are not affected by the LSB of the DPS register. All DPTR related instructions use the currently selected DPTR for any activity.

An alternative data pointer is available in the form of the PDATA register (SFR 0xBF), sometimes referred to as USR2). It defines the high byte of a 16-bit address when reading or writing XDATA with the instruction MOVX A,@ Ri or MOVX @Ri,A.

**Table 4. Memory Map**

ADDRESS (hex)	MEMORY TECHNOLOGY	MEMORY TYPE	NAME	TYPICAL USAGE	MEMORY SIZE (BYTES)
0000-7FFF (32K)	Flash Memory	Nonvolatile	Program memory for MPU and CE	MPU program and nonvolatile data	128/64/32K*
0000-FFFF (64K)				CE program (on 1KB boundary)	3K max
0000-1FFFFFFF (128K)					
0000-0BFF	Static RAM	Volatile	External RAM (XRAM)	Shared by CE and MPU	5/3K*
2000-27FF	Static RAM	Volatile	Configuration RAM (I/O RAM)	Hardware control	2K
2800-287F	Static RAM	Nonvolatile (battery)	Configuration RAM (I/O RAM)	Battery-buffered memory	128
0000-00FF	Static RAM	Volatile	Internal RAM	Part of 80515 Core	256

\*Memory size depends on IC. See the [On-Chip Resources](#) section for details.

**Internal Data Memory Map and Access**

The Internal data memory provides 256 bytes (0x00 to 0xFF) of data memory. The internal data memory address is always 1 byte wide.

The Special Function Registers (SFR) occupy the upper 128 bytes. The SFR area of internal data memory is available **only by direct addressing**. Indirect addressing of this area accesses the upper 128 bytes of Internal RAM. The lower 128 bytes contain working registers and bit addressable memory. The lower 32 bytes form four banks of eight registers (R0-R7). Two bits on the program memory status word (PSW, SFR 0xD0) select which bank is in use. The next 16 bytes form a block of bit addressable memory space at addresses 0x00-0x7F. All of the bytes in the lower 128 bytes are accessible through direct or indirect addressing.

**Special Function Registers**

Only a few addresses in the SFR memory space are occupied; other addresses are unimplemented. A read access to unimplemented addresses returns undefined data, while a write access has no effect. SFRs specific to the 71M654xT are shown in bold print on a shaded field. The registers at 0x80, 0x88, 0x90, etc., are bit addressable, all others are byte addressable.

**Timers and Counters**

The 71M6541DT/FT/GT and 71M6542FT/GT contain two 16-bit timer/counter registers: Timer 0 and Timer 1. These registers can be configured for counter or timer operations.

In timer mode, the register is incremented every machine cycle, i.e., it counts up once for every 12 periods of the MPU clock. In counter mode, the register is incremented

**Table 5. Internal Data Memory Map**

ADDRESS RANGE		DIRECT ADDRESSING	INDIRECT ADDRESSING
0x80	0xFF	Special Function Registers (SFRs)	RAM
0x30	0x7F	Byte addressable area	
0x20	0x2F	Bit addressable area	
0x00	0x1F	Register banks R0...R7	

**Table 6. Special Function Register Map**

Hex/ Bin	Bit Addressable	Byte Addressable							Bin/ Hex
	X000	X001	X010	X011	X100	X101	X110	X111	
<b>F8</b>	<b>INTBITS</b>	<b>VSTAT</b>			<b>RCMD</b>	<b>SPI_CMD</b>			FF
<b>F0</b>	B								F7
<b>E8</b>	<b>IFLAGS</b>								EF
<b>E0</b>	A								E7
<b>D8</b>	WDCON								DF
<b>D0</b>	PSW								D7
<b>C8</b>	T2CON								CF
<b>C0</b>	IRCON								C7
<b>B8</b>	IEN1	IP1	S0RE LH	S1RE LH				PDATA	BF
<b>B0</b>	<b>P3 (DIO12:15)</b>		<b>FLSH_CTL</b>				<b>FLSH_BANK</b>	<b>FLSH_PGADR</b>	B7
<b>A8</b>	IEN0	IP0	S0RE LL						AF
<b>A0</b>	<b>P2 (DIO8:11)</b>								A7
<b>98</b>	S0CON	S0BUF	IEN2	S1CON	S1BUF	S1RE LL	<b>EEDATA</b>	<b>EECTRL</b>	9F
<b>90</b>	<b>P1 (DIO4:7)</b>		DPS		<b>FLSH_ERASE</b>				97
<b>88</b>	TCON	TMOD	TL0	TL1	TH0	TH1	CKCON		8F
<b>80</b>	<b>P0 (DIO0:3)</b>	SP	DPL	DPH	DPL1	DPH1		PCON	87

**Table 7. Generic 80515 SFRs: Location and Reset Values**

NAME	ADDRESS	RESET VALUE	DESCRIPTION
<i>P0</i>	0x80	0xFF	Port 0
<i>SP</i>	0x81	0x07	Stack Pointer
<i>DPL</i>	0x82	0x00	Data Pointer Low 0
<i>DPH</i>	0x83	0x00	Data Pointer High 0
<i>DPL1</i>	0x84	0x00	Data Pointer Low 1
<i>DPH1</i>	0x85	0x00	Data Pointer High 1
<i>PCON</i>	0x87	0x00	UART Speed Control
<i>TCON</i>	0x88	0x00	Timer/Counter Control
<i>TMOD</i>	0x89	0x00	Timer Mode Control
<i>TL0</i>	0x8A	0x00	Timer 0, low byte
<i>TL1</i>	0x8B	0x00	Timer 1, high byte
<i>TH0</i>	0x8C	0x00	Timer 0, low byte
<i>TH1</i>	0x8D	0x00	Timer 1, high byte
<i>CKCON</i>	0x8E	0x01	Clock Control (Stretch = 1)
<i>P1</i>	0x90	0xFF	Port 1
<i>DPS</i>	0x92	0x00	Data Pointer select Register
<i>S0CON</i>	0x98	0x00	Serial Port 0, Control Register
<i>S0BUF</i>	0x99	0x00	Serial Port 0, Data Buffer
<i>IEN2</i>	0x9A	0x00	Interrupt Enable Register 2
<i>S1CON</i>	0x9B	0x00	Serial Port 1, Control Register
<i>S1BUF</i>	0x9C	0x00	Serial Port 1, Data Buffer
<i>S1RELL</i>	0x9D	0x00	Serial Port 1, Reload Register, low byte
<i>P2</i>	0xA0	0xFF	Port 2
<i>IEN0</i>	0xA8	0x00	Interrupt Enable Register 0
<i>IP0</i>	0xA9	0x00	Interrupt Priority Register 0
<i>S0RELL</i>	0xAA	0xD9	Serial Port 0, Reload Register, low byte
<i>P3</i>	0xB0	0xFF	Port 3
<i>IEN1</i>	0xB8	0x00	Interrupt Enable Register 1
<i>IP1</i>	0xB9	0x00	Interrupt Priority Register 1
<i>S0RELH</i>	0xBA	0x03	Serial Port 0, Reload Register, high byte
<i>S1RELH</i>	0xBB	0x03	Serial Port 1, Reload Register, high byte
<i>PDATA</i>	0xBF	0x00	High address byte for MOVX@Ri - also called <i>USR2</i>
<i>IRCON</i>	0xC0	0x00	Interrupt Request Control Register
<i>T2CON</i>	0xC8	0x00	Polarity for INT2 and INT3
<i>PSW</i>	0xD0	0x00	Program Status Word
<i>WDCON</i>	0xD8	0x00	Baud Rate Control Register (only WDCON[7] bit used)
<i>A</i>	0xE0	0x00	Accumulator
<i>B</i>	0xF0	0x00	B Register

when the falling edge is observed at the corresponding input signal T0 or T1 (T0 and T1 are the timer gating inputs derived from certain DIO pins, see 2.5.8 Digital I/O). Since it takes 2 machine cycles to recognize a 1-to-0 event, the maximum input count rate is 1/2 of the clock frequency (CKMPU). There are no restrictions on the duty cycle, however to ensure proper recognition of the 0 or 1 state, an input should be stable for at least 1 machine cycle.

Four operating modes can be selected for Timer 0 and Timer 1. The TMOD register is used to select the appropriate mode. The timer/counter operation is controlled by the TCON register. Bits TR1 and TR0 in the TCON register start their associated timers when set.

### Interrupts

The 80515 provides 11 interrupt sources with four priority levels. Each source has its own interrupt request flag(s) located in a special function register (TCON, IRCON, and SCON). Each interrupt requested by the corresponding interrupt flag can be individually enabled or disabled by the interrupt enable bits in the IEN0, IEN1, and IEN2.

Referring to [Figure 14](#), interrupt sources can originate from within the 80515 MPU core (referred to as Internal Sources) or can originate from other parts of the 71M654xT SoC (referred to as External Sources). There are seven external interrupt sources, (EX0-EX6).

### Interrupt Overview

When an interrupt occurs, the MPU vectors to the predetermined address. Once the interrupt service has begun,

it can be interrupted only by a higher priority interrupt. The interrupt service is terminated by a return from interrupt instruction (RETI). When a RETI instruction is executed, the processor returns to the instruction that would have been next when the interrupt occurred.

When the interrupt condition occurs, the processor also indicates this by setting a flag bit. This bit is set regardless of whether the interrupt is enabled or disabled. Each interrupt flag is sampled once per machine cycle, and then samples are polled by the hardware. If the sample indicates a pending interrupt when the interrupt is enabled, then the interrupt request flag is set. On the next instruction cycle, the interrupt is acknowledged by hardware forcing an LCALL to the appropriate vector address, if the following conditions are met:

- No interrupt of equal or higher priority is already in progress.
- An instruction is currently being executed and is not completed.
- The instruction in progress is not RETI or any write access to the registers IEN0, IEN1, IEN2, IP0 or IP1.

The following SFR registers control the interrupt functions:

- The interrupt enable registers: IEN0, IEN1 and IEN2.
- The Timer/Counter control registers, TCON and T2CON.
- The interrupt request register, IRCON.
- The interrupt priority registers: IP0 and IP1.

**Table 8. Timers/Counters Mode Description**

M1	M0	MODE	FUNCTION
0	0	Mode 0	13-bit Counter/Timer mode with 5 lower bits in the <i>TL0</i> or <i>TL1</i> register and the remaining 8 bits in the <i>TH0</i> or <i>TH1</i> register (for Timer 0 and Timer 1, respectively). The 3 high order bits of <i>TL0</i> and <i>TL1</i> are held at zero.
0	1	Mode 1	16-bit Counter/Timer mode.
1	0	Mode 2	8-bit auto-reload Counter/Timer. The reload value is kept in <i>TH0</i> or <i>TH1</i> , while <i>TL0</i> or <i>TL1</i> is incremented every machine cycle. When <i>TLx</i> overflows, a value from <i>THx</i> is copied to <i>TLx</i> .
1	1	Mode 3	If Timer 1 <i>M1</i> and <i>M0</i> bits are set to 1, Timer 1 stops. If Timer 0 <i>M1</i> and <i>M0</i> bits are set to 1, Timer 0 acts as two independent 8-bit Timer/Counters.



### External MPU Interrupts

The seven external interrupts are the interrupts external to the 80515 core, i.e., signals that originate in other parts of the 71M654xT, for example the CE, DIO, RTC, or EEPROM interface.

The polarity of interrupts 2 and 3 is programmable in the MPU via the I3FR and I2FR bits in T2CON (SFR 0xC8). Interrupts 2 and 3 should be programmed for falling sensitivity (I3FR = I2FR = 0). The generic 8051 MPU literature states that interrupts 4 through 6 are defined as rising-edge sensitive. Thus, the hardware signals attached to interrupts 5 and 6 are inverted to achieve the edge polarity shown in [Table 9](#).

External interrupt 0 and 1 can be mapped to pins on the device using DIO resource maps.

### On-Chip Resources

#### Flash Memory

The device includes 128KB (71M6541GT, 71M6542GT) 64KB (71M6541FT, 71M6542FT) or 32KB (71M6541DT) of on-chip flash memory. The flash memory primarily contains MPU and CE program code. It also contains images of the CE RAM and I/O RAM. On power-up, before

enabling the CE, the MPU copies these images to their respective locations.

Flash space allocated for the CE program is limited to 4096 16-bit words (8KB). The CE program must begin on a 1KB boundary of the flash address space. The CE\_LCTN[6:0] (71M6541GT/42GT) or CE\_LCTN[5:0] (71M6541DT/41FT/42FT) field defines where in flash the CE code resides. The address of the CE program is 0bXXXX XX00 0000 0000, where XXXX XX represents one of the 64 1KB pages at which the CE program begins.

The program memory of the 71M6541GT/71M6542GT consists of a fixed lower bank area of 32 kB addressable at 0x0000 to 0x7FFF plus an upper bank area of 32 kB, addressable at 0x8000 to 0xFFFF. The upper bank area is banked using the I/O RAM FLSH\_BANK register as follows. Note that when FLSH\_BANK[1:0] = 00, the upper bank area is the same as the lower bank area ([Table 10](#)).

The flash memory page address register FLSH\_PGADR[6:0] (SFR B7[7:1]) points to an address in the 71M6541GT/71M6542GT program address space. This address in the 71M6541GT/71M6542GT program address space can refer to different flash memory addresses, depending on the setting of the FLSH\_BANK[1:0] bits. The CE location register (CE\_LCTN[6:0]), on the other

**Table 9. External MPU Interrupts**

EXTERNAL INTERRUPT	CONNECTION	POLARITY	FLAG RESET
0	Digital I/O (IE0)	Programmable	Automatic
1	Digital I/O (IE1)	Programmable	Automatic
2	CE_PULSE (IE_XPULSE, IE_YPULSE, IE_WPULSE, IE_VPULSE)	Rising	Manual
3	CE_BUSY (IE3)	Falling	Automatic
4	VSTAT (VSTAT[2:0] changed) (IE4)	Rising	Automatic
5	EEPROM busy (falling), SPI (rising) (IE_EEX, IE_SPI)	—	Manual
6	XFER_BUSY (falling), RTC_1SEC, RTC_1MIN, RTC_T, TC_TEMP (IE_XFER, IE_RTC1S, IE_RTC1M, IE_RTCT)	Falling	Manual

**Table 10. Flash Banks**

FLSH_BANK[1:0]	ADDRESS RANGE FOR LOWER BANK (0x0000–0x7FFF)	ADDRESS RANGE FOR UPPER BANK (0x8000–0x7FFF)
00	0x0000–0x7FFF	0x0000–0x7FFF
01	0x0000–0x7FFF	0x8000–0x7FFF
10	0x0000–0x7FFF	0x10000–0x17FFFF
11	0x0000–0x7FFF	0x18000–0x1FFFF

hand, points directly to an address in the flash memory and is not affected by the FLSH\_BANK[1:0] bits.

When the SECURE bit (SFR B2[6]) is set to a 1, page erase of certain flash memory pages is blocked. These pages are page 0 (flash memory address range 0x00000–0x003FF) and all pages between the start of the CE program (CE\_LCTN[6:0]) and flash memory address 0x1FFFF.

While operating in SPI Flash Mode (SFM), SPI single-byte transactions are used to write to FLSH\_BANK[1:0]. During an SPI single-byte transaction, SPI\_CMD[1:0] overwrites the contents of FLSH\_BANK[1:0]. This allows for access of the entire 128KB Flash memory while operating in SFM on the 71M6541GT/71M6542GT.

Flash memory can be accessed by the MPU and the CE for reading, and by the SPI interface for reading or writing.

#### MPU/CE RAM

The 71M6541DT includes 3KB of static RAM memory on-chip (XRAM) plus 256 bytes of internal RAM in the MPU core. The 71M6541FT/GT and the 71M6542FT/GT include 5KB of static RAM memory on-chip (XRAM) plus 256 bytes of internal RAM in the MPU core. The static RAM is used for data storage for both MPU and CE operations.

#### I/O RAM

The I/O RAM can be seen as a series of hardware registers that control basic hardware functions. I/O RAM address space starts at 0x2000.

The 71M6541DT/FT/GT and 71M6542FT/GT include 128 bytes NV RAM memory on-chip in the I/O RAM address space (addresses 0x2800 to 0x287F). This memory section is supported by the voltage applied at V<sub>BAT\_RTC</sub> and the data in it are preserved in BRN, LCD, and SLP modes as long as the voltage at V<sub>BAT\_RTC</sub> is within specification.

#### Crystal Oscillator

The oscillator drives a standard 32.768kHz tuning-fork crystal. This type of crystal is accurate and does not require a high-current oscillator circuit. The oscillator power dissipation is very low to maximize the lifetime of the V<sub>BAT\_RTC</sub> battery.

Oscillator calibration can improve the accuracy of both the RTC and metering.

#### PLL

Timing for the device is derived from the 32,768Hz crystal oscillator. The oscillator output is routed to a phase-locked loop (PLL). The PLL multiplies the crystal frequency by 600 to produce a stable 19.6608MHz clock frequency. This is the master clock (MCK), and all on-chip timing, except for the RTC clock, is derived from MCK.

The master clock can operate at either 19.66MHz or 6.29MHz depending on the PLL\_FAST bit. The MPU clock frequency CKMPU is determined by another divider controlled by the I/O RAM control field MPU\_DIV[2:0] and can be set to  $MCK \times 2^{-(MPU\_DIV+2)}$ , where MPU\_DIV[2:0] may vary from 0 to 4. The 71M654xT V<sub>V3P3SYS</sub> supply current is reduced by reducing the MPU clock frequency. When the ICE\_E pin is high, the circuit also generates the 9.83MHz clock for use by the emulator.

The two general-purpose counter/timers contained in the MPU are clocked by CKMPU.

The PLL is only turned off in SLP mode.

When the part is waking up from SLP or LCD modes, the PLL is turned on in 6.29MHz mode, and the PLL frequency is not accurate until the PLL\_OK flag becomes active. Due to potential overshoot, the MPU should not change the value of PLL\_FAST until PLL\_OK is true.

#### Real-Time Clock (RTC)

The real-time clock is driven directly by the crystal oscillator and is powered by either the V<sub>V3P3SYS</sub> pin or the V<sub>BAT\_RTC</sub> pin, depending on the V3OK internal bit. The RTC consists of a counter chain and a set of output registers. The counter chain consists of registers for seconds, minutes, hours, day of week, day of month, month, and year. The chain registers are supported by a shadow register that facilitates read and write operations.

#### RTC Trimming

The RTC accuracy can be trimmed by using either of two trimming mechanisms. The first is an analog rate adjustment, RTCA\_ADJ[6:0]. This adjustment changes the crystal frequency (and thus the time base for the entire SOC) by slightly varying the crystal load capacitance.

The second adjustment is a digital trimming mechanism that affects only the RTC. Either or both of these adjustment mechanisms can be used to trim the RTC.

The 71M6541DT/FT/GT and 71M6542FT/GT can also be configured to regularly measure die temperature, including in SLP and LCD modes and while the MPU is halted. If enabled, the temperature information is automatically used to correct for the temperature variation of the crystal. A quadratic equation is used to compute the temperature correction factors.

The temperature is passed both to the quadratic calculation block and to a range check block. If the temperature exceeds the limits established in the SMIN, SMAX and SFILT registers a WAKE or an INTERRUPT event is posted.

The quadratic calculation block computes the position on the inverse parabolic curve that is characteristic for tuning fork crystals based on the known  $\alpha$  and  $T_0$  values for the crystal (these are published by the crystal manufacturer and are relatively consistent for a particular crystal type). Finally, the absolute frequency error is added or subtracted from the computed value, and the final result is used to compensate the frequency of the crystal.

**RTC Interrupts**

The RTC generates interrupts each second and each minute. These interrupts are called RTC\_1SEC and RTC\_1MIN. In addition, the RTC functions as an alarm clock by generating an interrupt when the minutes and hours registers both equal their respective target counts as defined in the alarm registers. The alarm clock interrupt is called RTC\_T. All three interrupts appear in the MPU's external interrupt 6.

**Temperature Sensor**

The 71M654xT includes an on-chip temperature sensor for determining the temperature of its bandgap reference. The primary use of the temperature data is to determine the magnitude of compensation required to offset the thermal drift in the system for the compensation of current, voltage and energy measurement and the RTC. See the [Metrology Temperature Compensation](#).

The 71M654xT uses a dual-slope temperature measurement technique that is operational in SLP and LCD mode, as well as BRN and MSN modes. This means that the temperature sensor can be used to compensate for the frequency variation of the crystal, even in SLP mode while the MPU is halted.

In MSN and BRN modes, the temperature sensor is awakened on command from the MPU by setting the TEMP\_START control bit. The MPU must wait for the TEMP\_START bit to clear before reading STEMP[15:0] and before setting the TEMP\_START bit once again. In SLP and LCD modes, it is awakened at a regular rate set by TEMP\_PER[2:0].

The result of the temperature measurement can be read from STEMP[15:0]. Typically, only eleven bits are significant, the remaining high-order bits reflecting the sign of the temperature relative to 0C.

**Battery Monitor**

The 71M654xT temperature measurement circuit can also monitor the batteries at the V<sub>BAT</sub> and V<sub>BAT\_RTC</sub> pins. The battery to be tested (i.e., V<sub>BAT</sub> or V<sub>BAT\_RTC</sub> pin) is selected by TEMP\_BSEL.

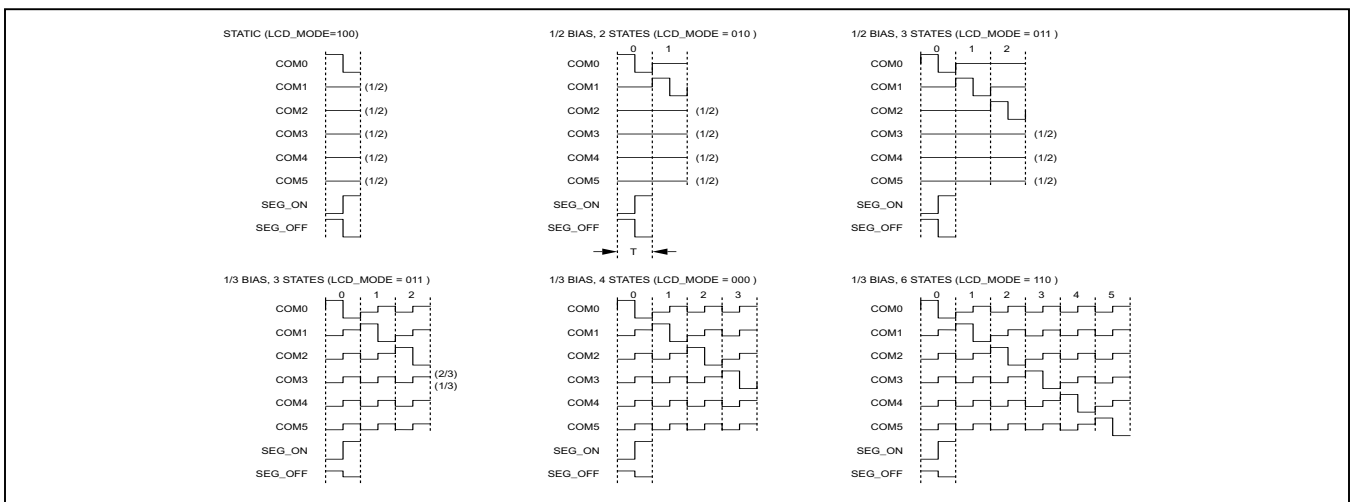


Figure 8. Typical LCD Waveforms

When TEMP\_BAT is set, a battery measurement is performed as part of each temperature measurement. The value of the battery reading is stored in register BSENSE[7:0]. The battery voltage can be calculated by computing BSENSE/42.7.

In MSN mode, a 100µA de-passivation load can be applied to the selected battery (i.e., selected by the TEMP\_BSEL bit) by setting the BCURR bit. Battery impedance can be measured by taking a battery measurement with and without BCURR. Regardless of the BCURR bit setting, the battery load is never applied in BRN, LCD, and SLP modes.

### Digital I/O and LCD Segment Drivers

The 71M6541DT/FT/GT and 71M6542FT/GT combine most DIO pins with LCD segment drivers. Each SEG/DIO pin can be configured as a DIO pin or as a segment (SEG) driver pin.

On reset or power-up, all DIO pins are DIO inputs until they are configured as desired under MPU control. The pin function can be configured by the I/O RAM registers LCD\_MAPn. Setting the bit corresponding to the pin in LCD\_MAPn to 1 configures the pin for LCD, setting LCD\_MAPn to 0 configures it for DIO.

Once a pin is configured as DIO, it can be configured independently as an input or output. The PB pin is a dedicated digital input and is not part of the SEG/DIO system.

Some pins (SEG/DIO2 through SEG/DIO11 and PB) can be routed to internal logic such as the interrupt controller or a timer channel. This routing is independent of the direction of the pin, so that outputs can be configured to cause an interrupt or start a timer.

A total of 32 combined SEG/DIO pins plus 5 SEG outputs are available for the 71M6541DT/FT/GT. These pins can be categorized as follows:

17 combined SEG/DIO segment pins:

- SEG/DIO4...SEG/DIO5 (2 pins)
- SEG/DIO9...SEG/DIO14 (6 pins)
- SEG/DIO19...SEG/DIO25 (7 pins)
- SEG/DIO44...SEG/DIO45 (2 pins)

15 combined SEG/DIO segment pins shared with other functions:

- SEG/DIO0/WPULSE, SEG/DIO1/VPULSE (2 pins)
- SEG/DIO2/SDCK, SEG/DIO3/SDATA (2 pins)
- SEG/DIO6/XPULSE, SEG/DIO7/YPULSE (2 pins)
- SEG/DIO8/DI (1 pin)

- SEG/DIO26/COM5, SEG/DIO27/COM4 (2 pins)
- SEG/DIO36/SPI\_CSZ...SEG/DIO39/SPI\_CK1 (4 pins)
- SEG/DIO51/OPT\_TX, SEG/DIO55/OPT\_RX (2 pins)

5 dedicated SEG segment pins are available:

- ICE Interface pins: SEG48/E\_RXTX, SEG49/E\_TCLK, SEG50/E\_RST (3 pins)
- Test Port pins: SEG46/TMUX2OUT, SEG47/TMUXOUT (2 pins)

There are four dedicated common segment outputs (COM0...COM3) plus the two additional shared common segment outputs that are listed under combined SEG/DIO shared pins (SEG/DIO26/COM5, SEG/DIO27/COM4).

Thus, in a configuration where none of these pins are used as DIOs, there can be up to 37 LCD segment pins with 4 commons, or 35 LCD segment pins with 6 commons. And in a configuration where LCD segment pins are not used, there can be up to 32 DIO pins.

### LCD Drivers

The LCD drivers are grouped into up to six commons (COM0 – COM5) and up to 56 segment drivers. The LCD interface is flexible and can drive 7-segment digits, 14-segments digits or annunciator symbols.

LCD voltage can be taken from the V<sub>LCD</sub> pin or the V<sub>V3P3SYS</sub> pin. A contrast DAC regulates V<sub>LCD</sub> from either V<sub>BAT</sub> or V<sub>V3P3SYS</sub>.

The LCD system has the ability to drive up to six segments per SEG driver. If the display is configured with six back planes, the 6-way multiplexing minimizes the number of SEG pins required to drive a display. This maximizes the number of DIO pins available to the application. If 5-state multiplexing is selected, SEG/DIO27 is converted to COM4. If 6-state multiplexing is selected, SEG/DIO26 is converted to COM5.

The LCD\_ON and LCD\_BLANK bits are an easy way to either blank the LCD display or to turn all segments on. Neither bit affects the contents of the LCD data stored in the LCDSEG\_DIO[ ] registers. In comparison, LCD\_RST (I/O RAM 0x240C[2]) clears all LCD data to zero. LCD\_RST affects only pins that are configured as LCD.

The LCD can be driven in static, ½ bias, and ⅓ bias modes. Note that COM pins that are not required in a specific mode maintain a 'segment off' state rather than GND, VCC, or high impedance.

The segment drivers SEG/DIO22 and SEG/DIO23 can be configured to blink at either 0.5 Hz or 1 Hz. The blink rate is controlled by LCD\_Y. There can be up to six segments

connected to each of these driver pins. The I/O RAM fields LCD\_BLKMAP22[5:0] and LCD\_BLKMAP23[5:0] identify which pixels, if any, are to blink. LCD\_BLKMAP22[5:0] and LCD\_BLKMAP23[5:0] are nonvolatile.

The LCD bias may be compensated for temperature using the LCD\_DAC[4:0] field. The bias may be adjusted from 1.4 V below the 3.3 V supply ( $V_{V3P3SYS}$  in MSN mode and  $V_{BAT}$  in BRN and LCD modes). When the LCD\_DAC[4:0] field is set to 000, the DAC is bypassed and powered down. This can be used to reduce current in LCD mode.

The 71M6541DT/FT/GT has 35 LCD driver pins available, and can drive up to 210 segments. The 71M6542FT/GT has 56 LCD driver pins available, and can drive up to 336 segments.

### Square Wave Output

The 71M654xT includes a square wave generator that can be configured to present a square wave on the SEGDI015 pin. This square wave can be used as a clock to drive other devices and peripherals.

The output is enabled by setting the OUT\_SQE bit. The output frequency can then be selected by setting the OUT\_SQ[1:0] bits.

### EEPROM Interface

The 71M654xT provides hardware support for both two-pin (I<sup>2</sup>C) and three-wire (MICROWIRE) EEPROMs.

#### Two-Pin EEPROM Interface

The two-pin serial interface is multiplexed onto the SEGDI02 (SDCK) and SEGDI03 (SDATA) pins. Configure the interface for two-pin mode by setting DIO\_EEX[1:0] = 01. The MPU communicates with the interface through the SFR registers EEDATA and EECTRL. To write a byte of data to the EEPROM the MPU places the data in EEDATA and then writes the Transmit code to EECTRL. This initiates the transmit operation which is finished when the BUSY bit falls. INT5 is also asserted when BUSY falls. The MPU can then check the RX\_ACK bit to see if the EEPROM acknowledged the transmission.

A byte is read by writing the Receive command to EECTRL and waiting for the BUSY bit to fall. Upon completion, the received data is in EEDATA. The serial transmit and

receive clock is 78kHz during each transmission, and then holds in a high state until the next transmission.

The two-pin interface handles protocol details. The MPU can command the interface to issue a start, a repeated start and a stop condition, and it can manage the transmitted ACK status as well.

### Three-Wire EEPROM Interface

The three-wire interface supports standard MICROWIRE (single data pin with clock and select pins) or a subset of SPI (separate DI and DO pins with clock and select pins). MICROWIRE is selected by setting DIO\_EEX[1:0] = 10. In this mode, EECTRL selects whether the interface is sending or receiving, and eight bits of data are transferred in each transaction. In this configuration, SEGDI02 is configured for clock, and SEGDI03 is configured for data.

When separate DI/DO pins are selected (DIO\_EEX[1:0] = 11) the interface operates as a subset of SPI. Only SPI modes 0 or 3 are supported. In this configuration, SEGDI03 is DO and SEGDI08 is DI.

### UART

The 71M6541DT/FT/GT and 71M6542FT/GT include a UART (UART0) that can be programmed to communicate with a variety of AMR modules and other external devices. A second UART (UART1) is connected to the optical port.

The 80515 only supports two UARTs, but meters occasionally need three. The 71M654xT tries to help in two ways.

First, as shown in [Figure 9](#), the 71M654xT can be configured to switch the optical UART to DIOs 5 and 17 by setting UMUX\_SEL (I/O RAM 0x2456[4]) to 1. This is useful when a conventional UART can appear by command at different pins. The DIOs must not be configured as LCD outputs.

Also, as shown in [Figure 9](#), the 71M654xT can also be configured to drive the optical UART with DIO signal in a bit banged configuration. When control bit OPT\_BB (I/O RAM 0x2022[0]) is set, the optical port is driven by DIO5 and the SEGDI05 pin is driven by UART1\_TX. This configuration is typically used when the two dedicated UARTs must be connected to high speed clients and a slower optical UART is permissible.

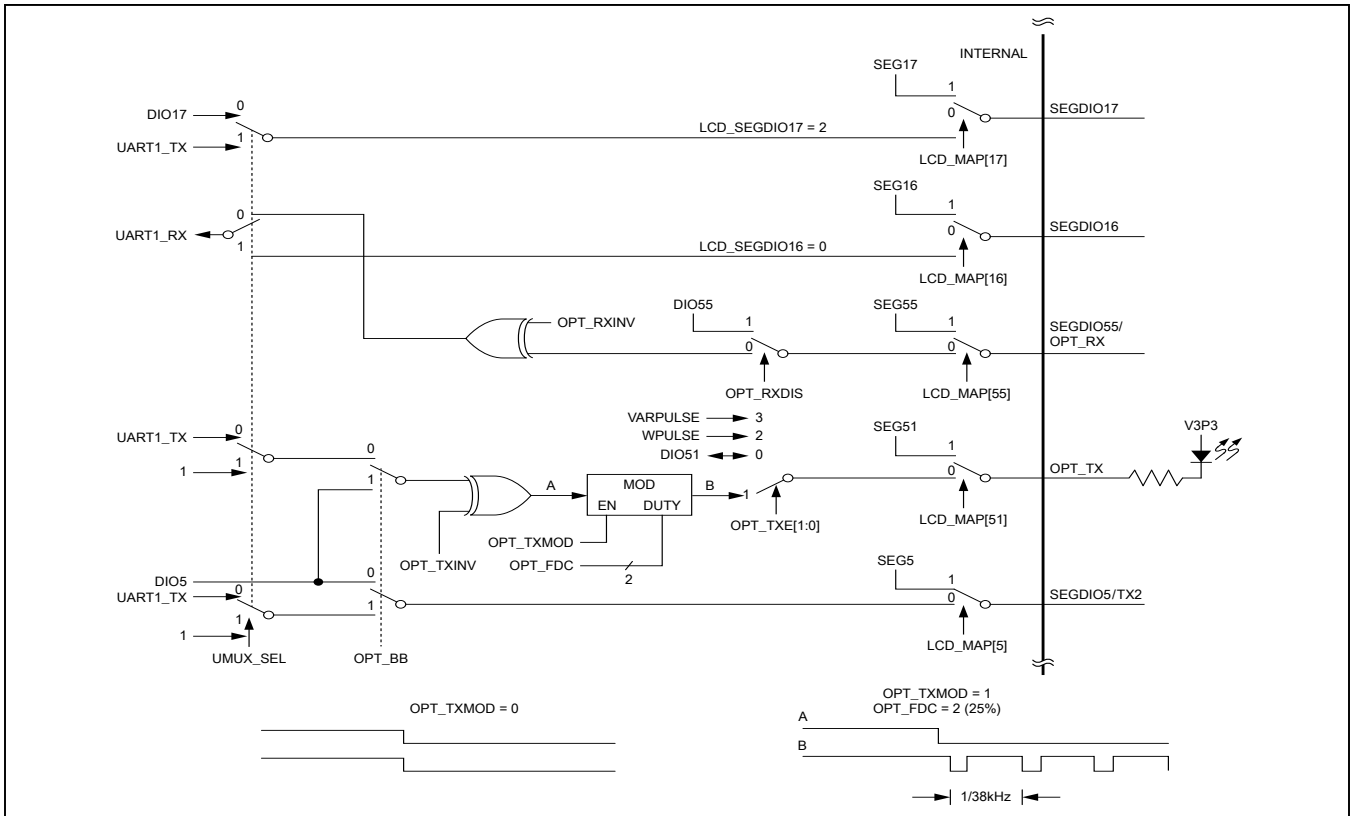


Figure 9. Optical Interface (UART1)

### SPI Slave Port

The SPI slave port communicates directly with the MPU data bus and is able to read and write Data RAM and I/O RAM locations. It is also able to send commands to the MPU. The interface to the slave port consists of the SPI\_CSZ, SPI\_CKI, SPI\_DI and SPI\_DO pins. These pins are multiplexed with the combined DIO/LCD segment driver pins SEGDI036 to SEGDI039.

Additionally, the SPI interface allows flash memory to be read and to be programmed. To facilitate flash programming, cycling power or asserting RESET causes the SPI port pins to default to SPI mode. The SPI port is disabled by clearing the SPI\_E bit.

Possible applications for the SPI interface are:

- An external host reads data from CE locations to obtain metering information. This can be used in applications where the 71M654xT function as a smart front-end with preprocessing capability. Since the addresses are in 16-bit format, any type of XRAM data can be accessed: CE, MPU, I/O RAM, but not SFRs or the 80515-internal register bank.

- A communication link can be established through the SPI interface: By writing into MPU memory locations, the external host can initiate and control processes in the 71M654xT MPU. Writing to a CE or MPU location normally generates an interrupt, a function that can be used to signal to the MPU that the byte that had just been written by the external host must be read and processed. Data can also be inserted by the external host without generating an interrupt.
- An external DSP can access front-end data generated by the ADC. This mode of operation uses the 71M654xT as an analog front-end (AFE).
- Flash programming by the external host (SPI Flash Mode).

### SPI Safe Mode

Sometimes it is desirable to prevent the SPI interface from writing to arbitrary RAM locations and thus disturbing MPU and CE operation. This is especially true in AFE applications. For this reason, the SPI SAFE mode was created. In SPI SAFE mode, SPI write operations are disabled except for a 16 byte transfer region at address

0x400 to 0x40F. If the SPI host needs to write to other addresses, it must use the SPI\_CMD register to request the write operation from the MPU. SPI SAFE mode is enabled by the SPI\_SAFE bit.

**SPI Flash Mode (SFM)**

In normal operation, the SPI slave interface cannot read or write the flash memory. However, the 71M6541DT/FT/GT and 71M6542FT/GT support an SPI Flash Mode (SFM) which facilitates initial programming of the flash memory. When in SFM mode, the SPI can erase, read, and write the flash memory. Other memory elements such as XRAM and I/O RAM are not accessible in this mode. In order to protect the flash contents, several operations are required before the SFM mode is successfully invoked.

In SFM mode, n byte reads and dual-byte writes to flash memory are supported. Since the flash write operation is always based on a two-byte word, the initial address must always be even. Data is written to the 16-bit flash memory bus after the odd word is written.

While operating in SPI flash mode (SFM), SPI single-byte transactions are used to write to FLSH\_BANK[1:0]. During an SPI single-byte transaction, SPI\_CDMI[1:0] overwrites the contents of FLSH\_BANK[1:0]. This allows access to the entire 128KB flash memory while operating in SFM on the 71M6541GT/71M6542GT.

In SFM mode, the MPU is completely halted. The 71M6541DT/FT/GT and 71M6542FT/GT must be reset by the WD timer or by the RESET pin in order to exit SFM mode. If the SPI port is used for code updates (in lieu of a programmer that uses the ICE port), then a code that

disables the flash access through SPI can potentially lock out flash program updates.

**Hardware Watchdog Timer**

An independent, robust, fixed-duration, watchdog timer (WDT) is included in the 71M6541DT/FT/GT and 71M6542FT/GT. It uses the RTC crystal oscillator as its time base and must be refreshed by the MPU firmware at least every 1.5 seconds. When not refreshed on time, the WDT overflows and the part is reset as if the RESET pin were pulled high, except that the I/O RAM bits are in the same state as after a wake-up from SLP or LCD modes. After 4100 CK32 cycles (or 125 ms) following the WDT overflow, the MPU is launched from program address 0x0000.

The watchdog timer is also reset when the internal signal WAKE = 0.

**Test Ports**

Two independent multiplexers allow the selection of internal analog and digital signals for the TMUXOUT and TMUX2OUT pins. These pins are multiplexed with the SEG47 and SEG46 function. In order to function as test pins, LCD\_MAP[46] and LCD\_MAP[47] must be 0. (See [Table 11](#))

The TMUXOUT and TMUX2OUT pins may be used for diagnostics purposes during the product development cycle or in the production test. The RTC 1-second output may be used to calibrate the crystal oscillator. The RTC 4-second output provides higher precision for RTC calibration. RTCLK may also be used to calibrate the RTC.

**Table 11. Test Ports**

TMUX[5:0]	SIGNAL NAME	DESCRIPTION
1	RTCLK	32.768 kHz clock waveform
9	WD_RST	Indicates when the MPU has reset the watchdog timer. Can be monitored to determine spare time in the watchdog timer.
A	CKMPU	MPU clock
D	V3AOK bit	Indicates that the V3P3A pin voltage is ≥ 3.0 V. The V3P3A and V3P3SYS pins are expected to be tied together at the PCB level. The 71M6543 monitors the V3P3A pin voltage only.
E	V3OK bit	Indicates that the V3P3A pin voltage is ≥ 2.8 V. The V3P3A and V3P3SYS pins are expected to be tied together at the PCB level. The 71M654 monitors the V3P3A pin voltage only.

**Table 11. Test Ports (continued)**

TMUX[5:0]	SIGNAL NAME	DESCRIPTION
1	RTCLK	32.768 kHz clock waveform
1B	MUX_SYNC	Internal multiplexer frame SYNC signal.
1C	CE_BUSY interrupt	
1D	CE_XFER interrupt	
1F	RTM output from CE	

*Note: All TMUX[5:0] values that are not shown are reserved.*

TMUX2[4:0]	SIGNAL NAME	DESCRIPTION
0	WD_OVF	Indicates when the watchdog timer has expired (overflowed).
1	PULSE_1S	One-second pulse with 25% duty cycle. This signal can be used to measure the deviation of the RTC from an ideal 1-second interval. Multiple cycles should be averaged together to filter out jitter.
2	PULSE_4S	Four-second pulse with 25% duty cycle. This signal can be used to measure the deviation of the RTC from an ideal 4-second interval. Multiple cycles should be averaged together to filter out jitter. This pulse provides a more precise measurement than the 1-second pulse.
3	RTCLK	32.768 kHz clock waveform
8	SPARE[1] bit – I/O RAM 0x2704[1]	Copies the value of the bit stored in 0x2704[1]. For general purpose use.
9	SPARE[2] bit – I/O RAM 0x2704[2]	Copies the value of the bit stored in 0x2704[2]. For general purpose use.
A	WAKE	Indicates when a WAKE event has occurred.
B	MUX_SYNC	Internal multiplexer frame SYNC signal.
C	MCK	
E	GNDD	Digital GND. Use this signal to make the TMUX2OUT pin static.
12	INT0 – DIG I/O	Interrupts
13	INT1 – DIG I/O	
14	INT2 – CE_PULSE	
15	INT3 – CE_BUSY	
16	INT4 – VSTAT	
17	INT5 – EEPROM/ SPI	
18	INT6 – XFER, RTC	
1F	RTM_CK (flash)	

*Note: All TMUX2[4:0] values which are not shown are reserved.*



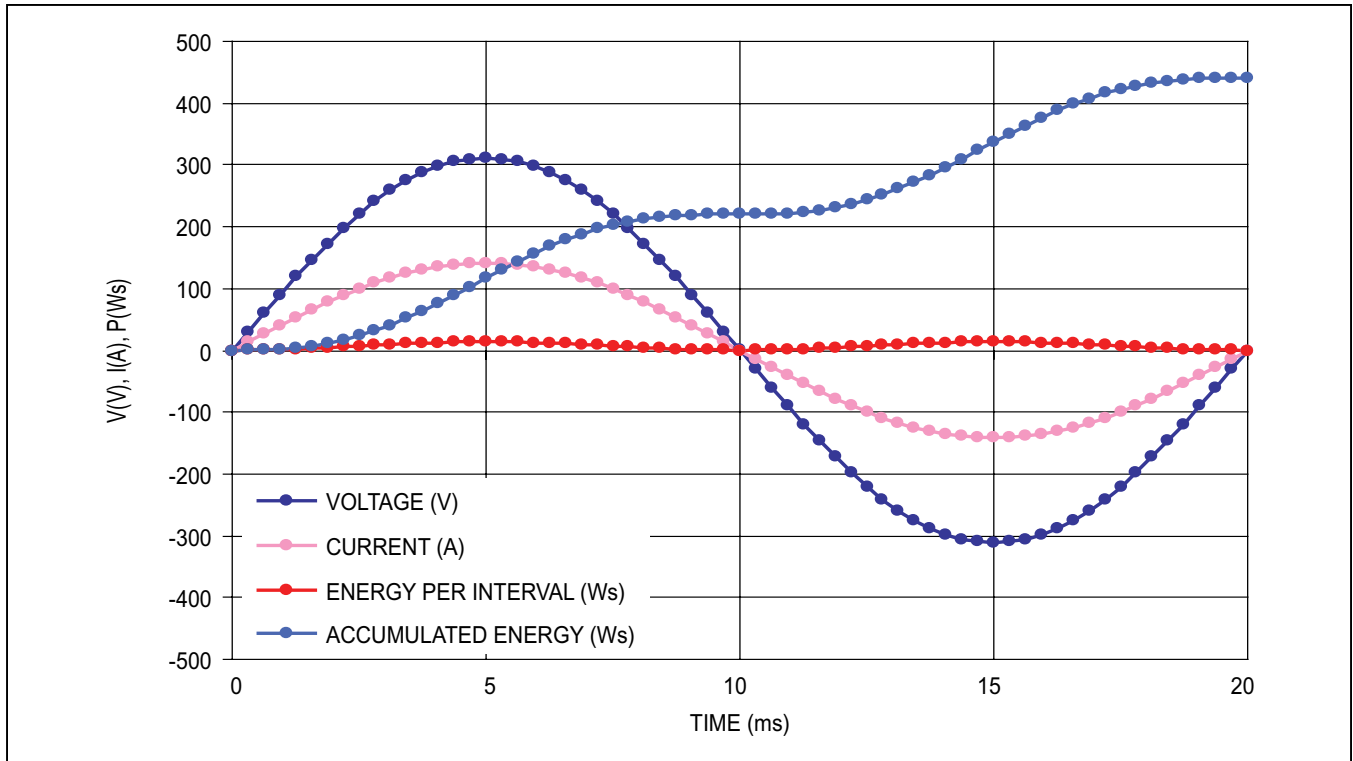


Figure 10. Waveforms Comparing Voltage, Current, Energy per Interval, and Accumulated Energy

## Functional Description

### Theory of Operation

The energy delivered by a power source into a load can be expressed as:

$$E = \int_0^t V(t)I(t)dt$$

Assuming phase angles are constant, the following formulae apply:

- $P = \text{Real Energy [Wh]} = V \times A \times \cos(\varphi) \times t$
- $Q = \text{Reactive Energy [VARh]} = V \times A \times \sin(\varphi) \times t$
- $S = \text{Apparent Energy [VAh]} = \sqrt{P^2 + Q^2}$

For a practical meter, not only voltage and current amplitudes, but also phase angles and harmonic content may change constantly. Thus, simple RMS measurements are inherently inaccurate. The 71M654xT, however, functions by emulating the integral operation above by processing current and voltage samples at a constant rate. As long as the ADC resolution is high enough and the sample frequency is beyond the harmonic range of interest, the current and voltage samples, multiplied by the sample period

yield an accurate value for the instantaneous energy. Summing the instantaneous energy quantities over time provides accurate results for accumulated energy.

The application of 240V AC and 100A results in an accumulation of 480Ws (= 0.133 Wh) over the 20ms period, as indicated by the accumulated power curve. The described sampling method works reliably, even in the presence of dynamic phase shift and harmonic distortion.

### Battery Modes

The 71M654xT can operate in one of four power modes: mission (MSN), brownout (BRN), sleep (SLP), or LCD-only (LCD) mode.

Shortly after system power ( $V_{V3P3SYS}$ ) is applied, the part is in mission mode. MSN mode means that the part is operating with system power and that the internal PLL is stable. This mode is the normal operating mode where the part is capable of measuring energy.

When system power is not available, the 71M654xT is in one of three battery modes: BRN, SLP or LCD.

An internal comparator monitors the voltage at the  $V_{V3P3SYS}$  pin (note that  $V_{V3P3SYS}$  and  $V_{V3P3A}$  are

typically connected together at the PCB level). When the  $V_{V3P3SYS}$  dc voltage drops below 3.0 VDC, the comparator resets an internal power status bit called V3OK. As soon as system power is removed and V3OK = 0, the 71M654xT switches to battery power ( $V_{BAT}$  pin), notifies the MPU by issuing an interrupt and updates the VSTAT[2:0] register. The MPU continues to execute code when the system transitions from MSN to BRN mode. Depending on the MPU code, the MPU can choose to stay in BRN mode, or transition to LCD or to SLP mode. BRN mode is similar to MSN mode except that resources powered by  $V_{V3P3A}$  power, such as the ADC are inaccurate. In BRN mode the CE continues to run and should be turned off to conserve  $V_{BAT}$  power. Also, the PLL continues to function at the same frequency as in MSN mode and its frequency should be reduced to save power.

When system power is restored, the 71M654xT automatically transitions from any of the battery modes (BRN, LCD, SLP) back to MSN mode, switches back to using system power ( $V_{V3P3SYS}$ ,  $V_{V3P3A}$ ), issues an interrupt and updates VSTAT[1:0]. The MPU software should restore MSN mode operation by issuing a soft reset to restore system settings to values appropriate for MSN mode.

Transitions from both LCD and SLP mode to BRN mode can be initiated by the following events:

- 1) Wake-up timer timeout.
- 2) Pushbutton (PB) is activated.
- 3) A rising edge on SEGDI04, SEGDI052 (71M6542FT/GT only) or SEGDI055.
- 4) Activity on the RX or OPT\_RX pins.

### Brownout Mode

In BRN mode, most nonmetering digital functions are active including ICE, UART, EEPROM, LCD and RTC. In BRN mode, the PLL continues to function at the same frequency as MSN mode. It is up to the MPU to reduce the PLL frequency or the MPU frequency in order to minimize power consumption.

From BRN mode, the MPU can choose to enter LCD or SLP modes. When system power is restored while the 71M654xT is in BRN mode, the part automatically transitions to MSN mode.

### LCD Only Mode

LCD mode may be commanded by the MPU at any time by setting the LCD\_ONLY control bit. However, it is recommended that the LCD\_ONLY control bit be set by the

MPU only after the 71M654xT has entered BRN mode. For example, if the 71M654xT is in MSN mode when LCD\_ONLY is set, the duration of LCD mode is very brief and the 71M654xT immediately 'wakes'.

In LCD mode,  $V_{V3P3D}$  is disabled, thus removing all current leakage from the  $V_{BAT}$  pin. Before asserting LCD\_ONLY mode, it is recommended that the MPU minimize PLL current by reducing the output frequency of the PLL to 6.2MHz (i.e., write PLL\_FAST = 0).

In LCD mode, the data contained in the LCD\_SEG registers is displayed using the segment driver pins. Up to two LCD segments connected to the pins SEGDI022 and SEGDI023 can be made to blink without the involvement of the MPU, which is disabled in LCD mode. To minimize battery power consumption, only segments that are used should be enabled.

After the transition from LCD mode to MSN or BRN mode, the PC (Program Counter) is at 0x0000, the XRAM is in an undefined state, and configuration I/O RAM bits are reset (see [Table 13](#) for I/O RAM state upon wake). The data stored in nonvolatile I/O RAM locations is preserved in LCD mode (the shaded locations in [Table 12](#) are non-volatile).

### Sleep Mode

When the  $V_{V3P3SYS}$  pin voltage drops below 2.8 VDC, the 71M654xT enters BRN mode and the  $V_{V3P3D}$  pin obtains power from the  $V_{BAT}$  pin instead of the  $V_{V3P3SYS}$  pin. Once in BRN mode, the MPU may invoke SLP mode by setting the SLEEP bit. The purpose of SLP mode is to consume the least amount power while still maintaining the real time clock, temperature compensation of the RTC, and the nonvolatile portions of the I/O RAM.

In SLP mode, the  $V_{V3P3D}$  pin is disconnected, removing all sources of current leakage from the  $V_{BAT}$  pin. The nonvolatile I/O RAM locations and the SLP mode functions, such as the temperature sensor, oscillator, RTC, and the RTC temperature compensation are powered by the  $V_{BAT\_RTC}$  pin. SLP mode can be exited only by a system power-up event or one of the wake methods.

If the SLEEP bit is asserted when  $V_{V3P3SYS}$  pin power is present (i.e., while in MSN mode), the 71M654xT enters SLP mode, resetting the internal WAKE signal, at which point the 71M654xT begins the standard wake from sleep procedures.

When power is restored to the  $V_{V3P3SYS}$  pin, the 71M654xT transitions from SLP mode to MSN mode and the MPU PC (Program Counter) is initialized to 0x0000. At this point, the XRAM is in an undefined state, but nonvolatile I/O RAM locations are preserved.

## Applications Information

### Connecting 5V Devices

All digital input pins of the 71M654xT are compatible with external 5V devices. I/O pins configured as inputs do not require current-limiting resistors when they are connected to external 5V devices.

### Direct Connection of Sensors

The 71M654xT supports direct connection of current transformer and shunt-fed sensors.

### Using the 71M6541DT/FT/GT with Local Sensors

The 71M6541DT/FT/GT can be configured to operate with locally connected current sensors (Figure 15). The IAP-IAN current channel may be directly connected to either a shunt resistor or a CT, while the IBP-IBN channel is connected to a CT and is therefore isolated. This configuration implements a single-phase measurement with tamper-detection using one current sensor to measure the neutral current. This configuration can also be used to create a split phase meter (ANSI Form 2S). For best performance, both the IAP-IAN and IBP-IBN current sensor inputs are configured for differential mode. The IBP-IBN input must be configured as an analog differential input disabling the remote sensor interface (RMT\_E = 0).

### Using the 71M6541DT/FT/GT with Remote Sensors

The 71M6541DT/FT/GT can be configured to operate with 71M6x01 remote sensor interfaces and current shunts (Figure 16). This configuration implements a single-phase measurement with tamper-detection using the second current sensor. This configuration can also be used to create a split phase meter (ANSI Form 2S). For best performance, the IAP-IAN current sensor input is configured for differential mode (DIFFA\_E = 1). The outputs of the 71M6x01 isolated sensor interface are routed through a pulse transformer, which is connected to the pins IBP-IBN. The IBP-IBN pins must be configured for remote sensor communication (i.e., RMT\_E = 1).

### Using the 71M6542FT/GT with Local Sensors

The 71M6542FT/GT can be configured to operate with locally connected current sensors (Figure 17). The IAP-IAN current channel may be directly connected to either a shunt resistor or a CT, while the IBP-IBN channel is connected to a CT and is therefore isolated. This configuration implements a dual-phase measurement utilizing Equation 2. For best performance, both the IAP-IAN and IBP-IBN current sensor inputs are configured for differential mode. The IBP-IBN input must be configured as an analog

differential input disabling the remote sensor interface (RMT\_E = 0).

### Using the 71M6542FT/GT with Remote Sensors

The 71M6541FT/GT can be configured to operate with 71M6x01 remote sensor interfaces and current shunts for two-phase operation (Figure 18). For best performance, the IAP-IAN current sensor input is configured for differential mode (DIFFA\_E = 1). The isolated sensor interface isolates phase B. The outputs of the 71M6x01 isolated sensor interface are routed through a pulse transformer, which is connected to the pins IBP-IBN. The IBP-IBN pins must be configured for remote sensor communication (i.e., RMT\_E = 1).

### Metrology Temperature Compensation

Since the  $V_{REF}$  bandgap amplifier is chopper-stabilized the DC offset voltage (the most significant long-term drift mechanism in bandgap voltage references) is automatically removed by the chopper circuit. Both the 71M654xT and the 71M6x01 feature chopper circuits for their respective  $V_{REF}$  voltage reference.  $V_{REF}$  is trimmed to a target value of 1.195V during the device manufacturing process and the result of the trim stored in nonvolatile fuses.

For the 71M654xT device ( $\pm 0.5\%$  energy accuracy), the TRIMT[7:0] value can be read by the MPU during initialization in order to calculate parabolic temperature compensation coefficients suitable for each individual 71M654xT device. The resulting temperature coefficient for  $V_{REF}$  in the 71M654xT is  $\pm 40$  ppm/ $^{\circ}$ C.

By using the trim information in the TRIMT register and the sensed temperature, a gain adjustment for the sensor can be computed. See the *71M6541DT/FT/GT and 71M6542FT/GT User's Guide* for more information about compensating sensors for temperature variations.

### Connecting I<sup>2</sup>C EEPROMs

I<sup>2</sup>C EEPROMs or other I<sup>2</sup>C compatible devices should be connected to the DIO pins SEG DIO2 and SEG DIO3.

Pullup resistors of roughly 10k $\Omega$  to  $V_{V3P3D}$  (to ensure operation in BRN mode) should be used for both SDCK and SDATA signals. The DIO\_EEX[1:0] field in I/O RAM must be set to 01 in order to convert the DIO pins SEG DIO2 and SEG DIO3 to I<sup>2</sup>C pins SDCK and SDATA.

### Connecting Three-Wire EEPROMs

MICROWIRE EEPROMs and other compatible devices should be connected to the DIO pins SEG DIO2/SDCK and SEG DIO3/SDATA.

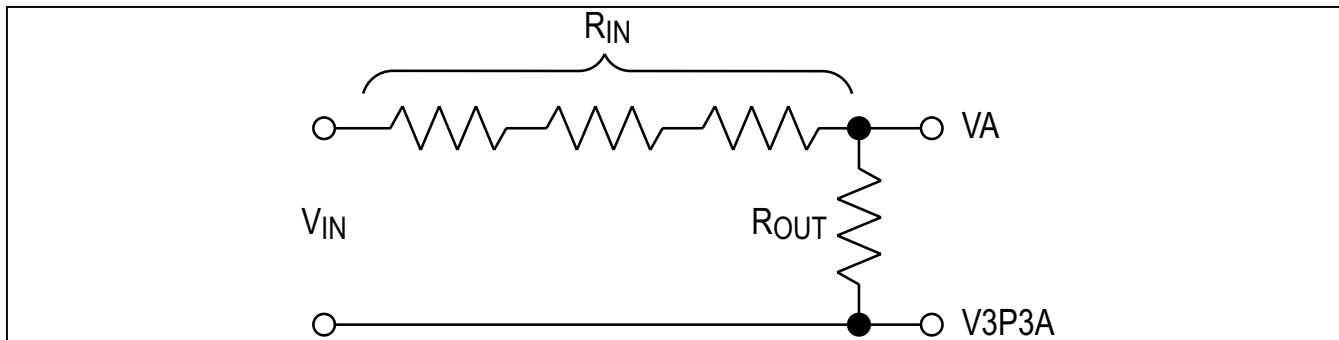


Figure 11. Typical Voltage Sense Circuit Using Resistive Divider

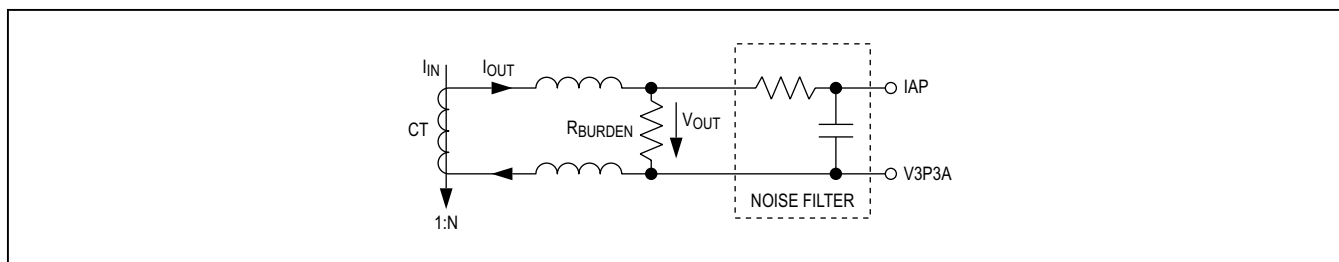


Figure 12. Typical Current-Sense Circuit Using Current Transformer in a Single-Ended Configuration

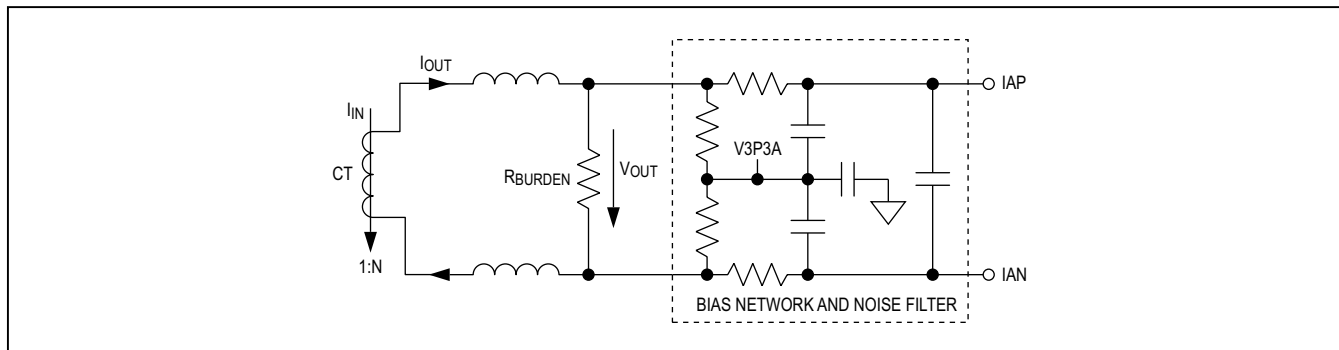


Figure 13. Typical Current-Sense Circuit Using Current Transformer in a Differential Configuration

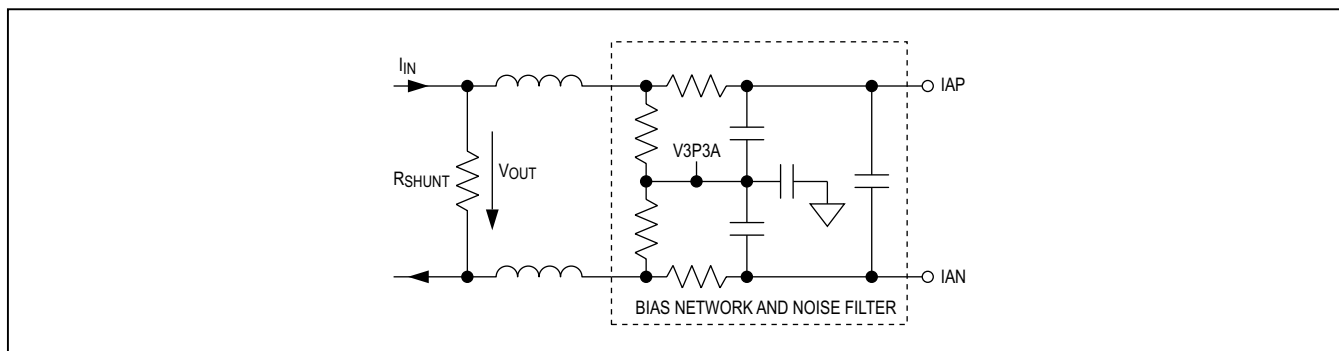


Figure 14. Typical Current-Sense Circuit Using Shunt in a Differential Configuration

71M6541DT/71M6541FT/71M6541GT/  
71M6542FT/71M6542GT

Energy Meter ICs

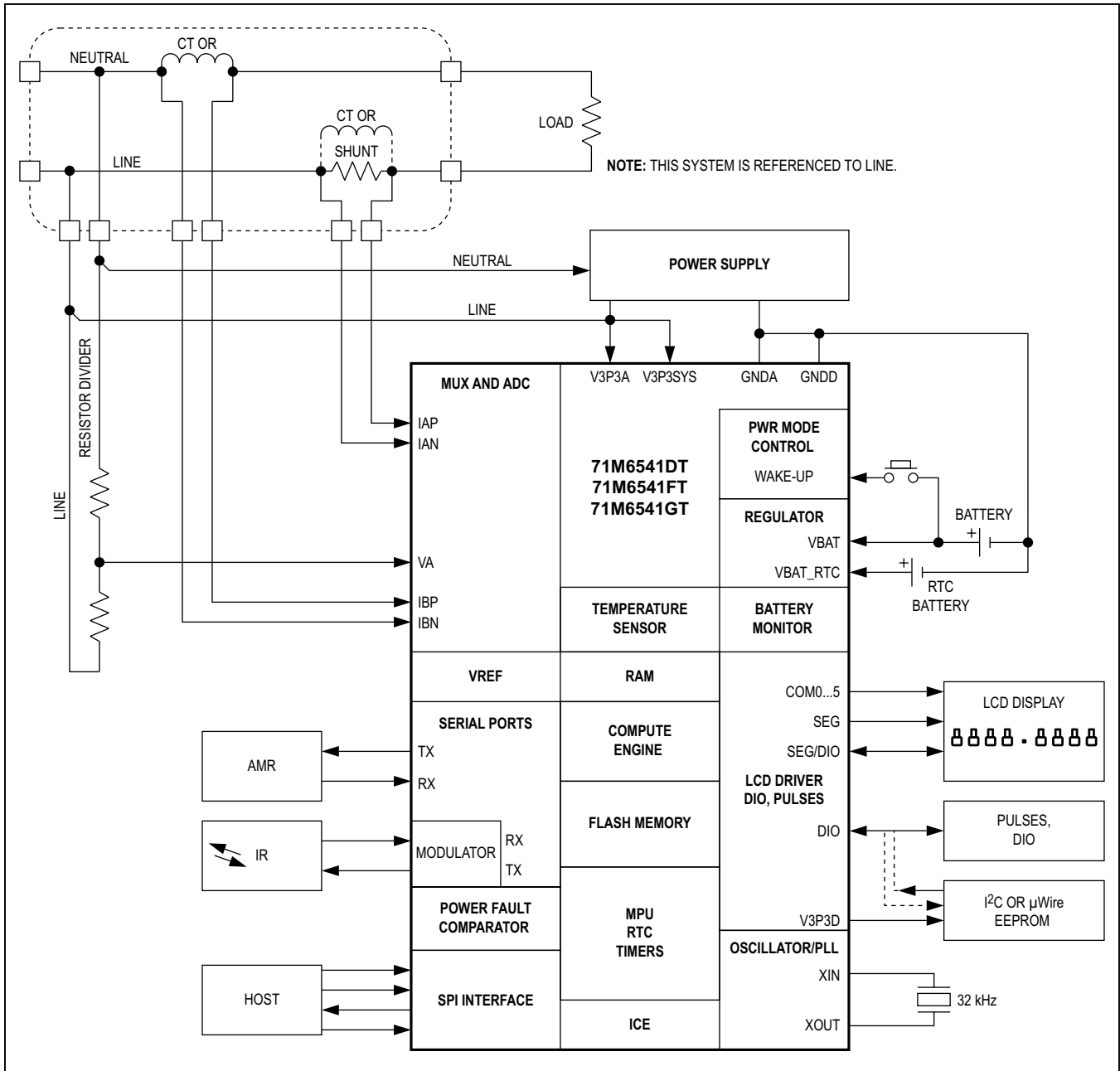


Figure 15. 71M6541DT/FT/GT Typical Operating Circuit Using Locally Connected Sensors

71M6541DT/71M6541FT/71M6541GT/  
71M6542FT/71M6542GT

Energy Meter ICs

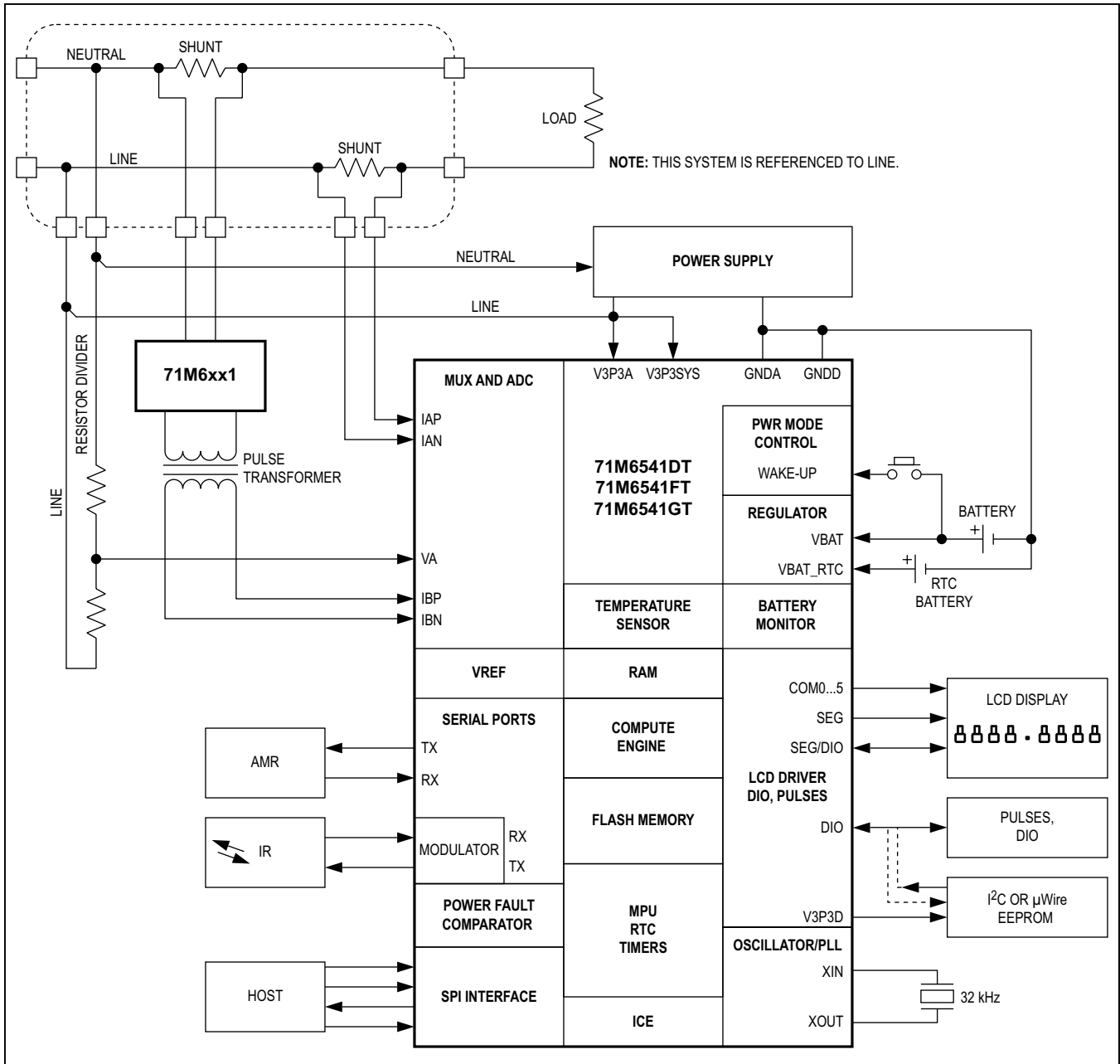


Figure 16. 71M6541DT/FT/GT Typical Operating Circuit Using Remote Neutral Current Sensor

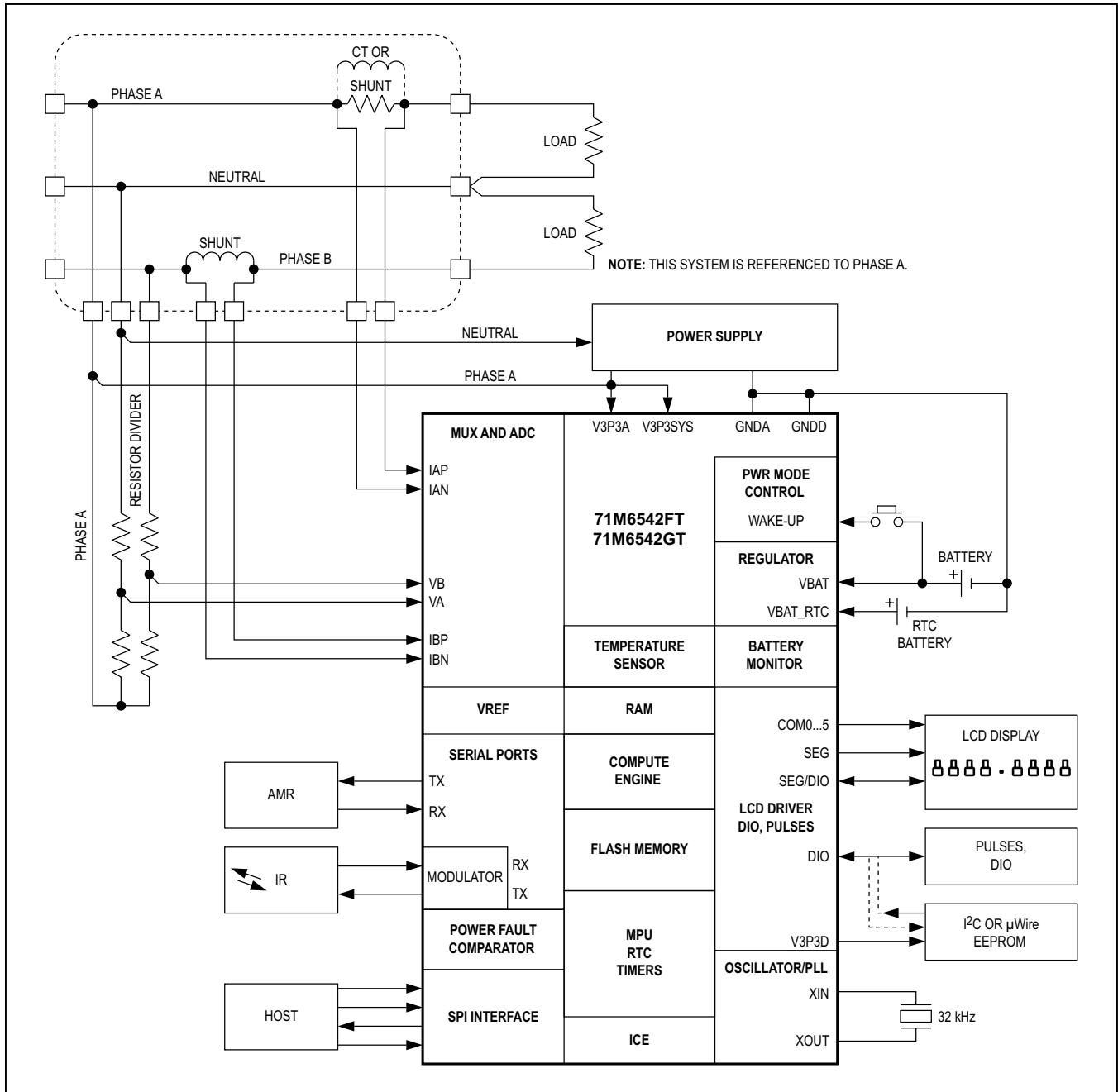


Figure 17. 71M6542FT/GT Typical Operating Circuit Using Local Sensors

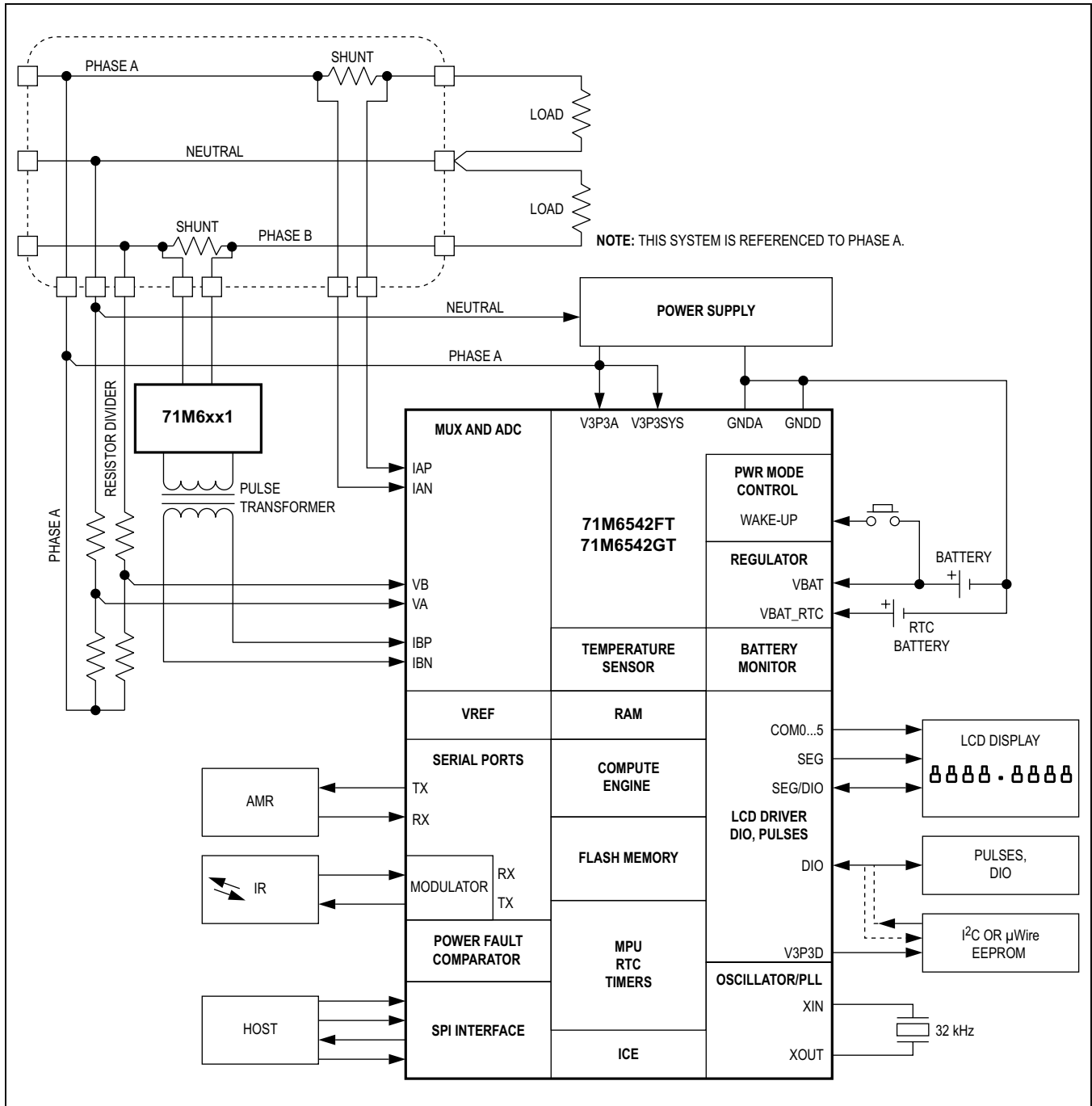


Figure 18. 71M6542FT/GT Typical Operating Circuit Using Remote Neutral Current Sensor



**UART0**

The UART0 RX pin should be pulled down by a 10kΩ resistor and additionally protected by a 100pF ceramic capacitor.

**Optical Interface**

The OPT\_TX and OPT\_RX pins can be used for a regular serial interface (by connecting a RS\_232 transceiver for example), or they can be used to directly operate optical components (for example, an infrared diode and phototransistor implementing a FLAG interface). [Figure 21](#) shows the basic connections for UART1. The OPT\_TX pin becomes active when the I/O RAM control field OPT\_TXE (I/O RAM 0x2456[3:2]) is set to 00.

The polarity of the OPT\_TX and OPT\_RX pins can be inverted with the configuration bits, OPT\_TXINV and OPT\_RXINV, respectively.

The OPT\_TX output may be modulated at 38kHz when system power is present. Modulation is not available in BRN mode. The OPT\_TXMOD bit enables modulation. The duty cycle is controlled by OPT\_FDC[1:0], which can select 50%, 25%, 12.5%, and 6.25% duty cycle. A 6.25% duty cycle means OPT\_TX is low for 6.25% of the period. The OPT\_RX pin uses digital signal thresholds. It may need an analog filter when receiving modulated optical signals.

With modulation, an optical emitter can be operated at higher current than nominal, enabling it to increase the distance along the optical path.

If operation in BRN mode is desired, the external components should be connected to V<sub>V3P3D</sub>. However, it is recommended to limit the current to a few mA.

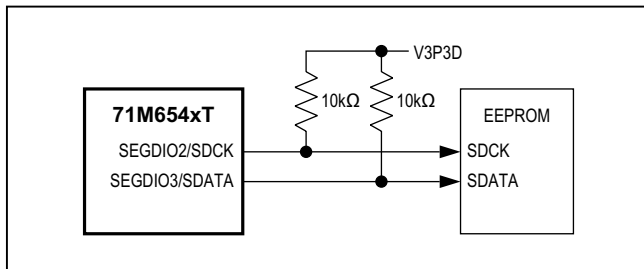


Figure 19. Typical I<sup>2</sup>C Operating Circuit

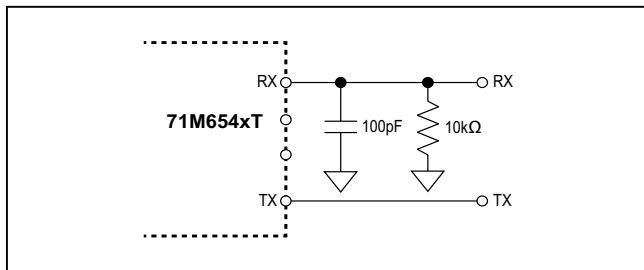


Figure 20. Typical UART Operating Circuit

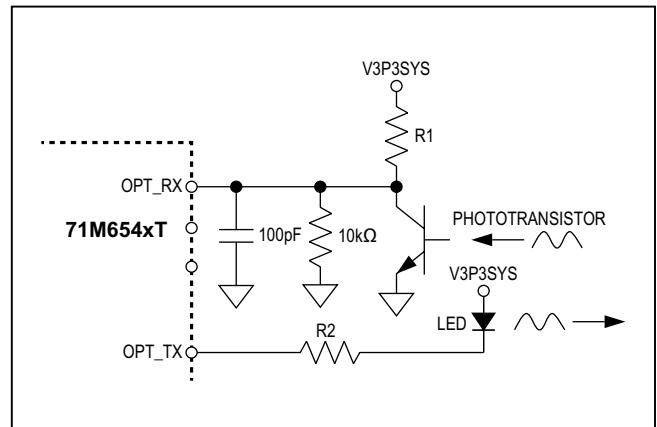


Figure 21. Optical Interface Typical Operating Circuit

**Reset**

Even though a functional meter does not necessarily need a reset switch, it is useful to have a reset push-button for prototyping. The RESET signal may be sourced from V<sub>V3P3SYS</sub> (functional in MSN mode only), V<sub>V3P3D</sub> (MSN and BRN modes), or V<sub>BAT</sub> (all modes, if a battery is present), or from a combination of these sources, depending on the application.

For a production meter, the RESET pin should be protected by the external components. R1 should be in the range of 100Ω and mounted as closely as possible to the IC. **Emulator Port Pins**

Even when the emulator is not used, small shunt capacitors to ground (22pF) should be used for protection from EMI. Production boards should have the ICE\_E pin connected to ground.

**MPU Firmware Library**

All application-specific MPU functions are featured in the demonstration C source code supplied by Maxim Integrated. The code is available as part of the Demonstration Kit for the 71M6541DT/FT/GT and 71M6542FT/GT. The Demonstration Kits come with preprogrammed with demo firmware and mounted on a functional sample meter Demo Board. The Demo Boards allow for quick and efficient evaluation of the IC without having to write firmware or having to supply an in-circuit emulator (ICE). Contact Maxim Integrated for information on price and availability of demonstration boards.

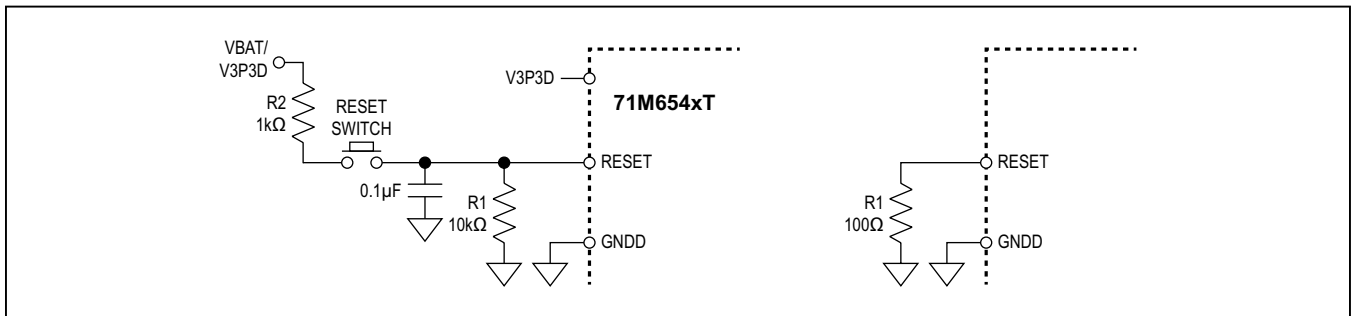


Figure 22. Typical Reset Circuits

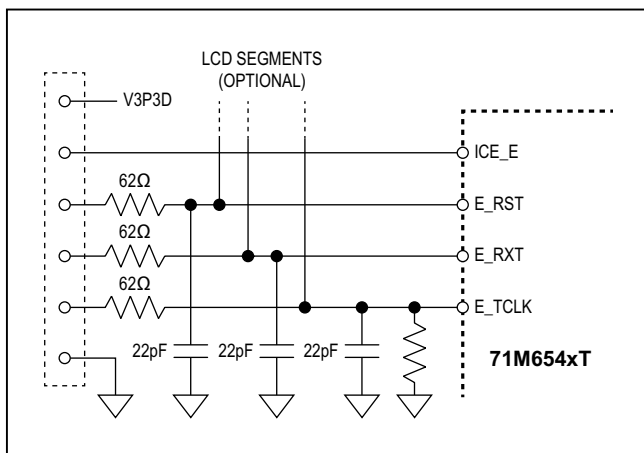


Figure 23. Typical Emulator Connections

**Table 12. I/O RAM Locations in Numerical Order**

NAME	ADDR	BIT 7	BIT 6	BIT 5	BIT 4	BIT 3	BIT 2	BIT 1	BIT 0
CE6	2000	EQU[2:0]			U	CHOP_E[1:0]		RTM_E	CE_E
CE5	2001	U	SUM_SAMPS[12:8]						
CE4	2002	SUM_SAMPS[7:0]							
CE3	2003	U	CE_LCTN[6:0] for 71M6541GT/42GT, CE_LCTN[5:0] for 71M6541DT/41FT/42FT						
CE2	2004	PLS_MAXWIDTH[7:0]							
CE1	2005	PLS_INTERVAL[7:0]							
CE0	2006	R	R	DIFFB_E	DIFFA_E	RFLY_DIS	FIR_LEN[1:0]		PLS_INV
RCE0	2007	CHOPR[1:0]		R	R	RMT_E	R	R	R
RTMUX	2008	U	TMUXRB[2:0]		U	TMUXRA[2:0]			
Reserved	2009	U	U	R	U	U	U	U	U
MUX5	200A	MUX_DIV[3:0]				MUX10_SEL			
MUX4	200B	MUX9_SEL				MUX8_SEL			
MUX3	200C	MUX7_SEL				MUX6_SEL			
MUX2	200D	MUX5_SEL				MUX4_SEL			
MUX1	200E	MUX3_SEL				MUX2_SEL			
MUX0	200F	MUX1_SEL				MUX0_SEL			
TEMP	2010	TEMP_BSEL	TEMP_PWR	OSC_COMP	TEMP_BAT	U	TEMP_PER[2:0]		
LCD0	2011	LCD_E	LCD_MODE[2:0]		LCD_ALLCOM		LCD_Y	LCD_CLK[1:0]	
LCD1	2012	LCD_VMODE[1:0]		LCD_BLNKMAP23[5:0]					
LCD2	2013	LCD_BAT	R	LCD_BLNKMAP22[5:0]					
LCD_MAP6	2014	LCD_MAP[55:48]							
LCD_MAP5	2015	LCD_MAP[47:40]							
LCD_MAP4	2016	LCD_MAP[39:32]							
LCD_MAP3	2017	LCD_MAP[31:24]							
LCD_MAP2	2018	LCD_MAP[23:16]							
LCD_MAP1	2019	LCD_MAP[15:8]							
LCD_MAP0	201A	LCD_MAP[7:0]							
DIO_R5	201B	U	U	U	U	U	DIO_RPB[2:0]		
DIO_R4	201C	U	DIO_R11[2:0]		U	DIO_R10[2:0]			
DIO_R3	201D	U	DIO_R9[2:0]		U	DIO_R8[2:0]			
DIO_R2	201E	U	DIO_R7[2:0]		U	DIO_R6[2:0]			
DIO_R1	201F	U	DIO_R5[2:0]		U	DIO_R4[2:0]			
DIO_R0	2020	U	DIO_R3[2:0]		U	DIO_R2[2:0]			
DIO0	2021	DIO_EEX[1:0]		U	U	OPT_TXE[1:0]		OPT_TXMOD	OPT_TXINV
DIO1	2022	DIO_PW	DIO_PV	OPT_FDC[1:0]		U	OPT_RXDIS	OPT_RXINV	OPT_BB
DIO2	2023	DIO_PX	DIO_PY	U	U	U	U	U	U
INT1_E	2024	EX_EEX	EX_XPULSE	EX_YPULSE	EX_RTCT	EX_TCTEMP	EX_RTC1M	EX_RTC1S	EX_XFER
INT2_E	2025	EX_SPI	EX_WPULSE	EX_VPULSE					
WAKE_E	2026	U	EW_TEMP	U	EW_RX	EW_PB	EW_DIO4	EW_DIO52†	EW_DIO55
SFMM	2080	SFMM[7:0] (via SPI slave port only)							
SFMS	2081	SFMS[7:0] (via SPI slave port only)							

**Table 12. I/O RAM Locations in Numerical Order (continued)**

NAME	ADDR	BIT 7	BIT 6	BIT 5	BIT 4	BIT 3	BIT 2	BIT 1	BIT 0	
<b>CE AND ADC</b>										
MUX5	2100	MUX_DIV[3:0]			MUX10_SEL[3:0]					
MUX4	2101	MUX9_SEL[3:0]			MUX8_SEL[3:0]					
MUX3	2102	MUX7_SEL[3:0]			MUX6_SEL[3:0]					
MUX2	2103	MUX5_SEL[3:0]			MUX4_SEL[3:0]					
MUX1	2104	MUX3_SEL[3:0]			MUX2_SEL[3:0]					
MUX0	2105	MUX1_SEL[3:0]			MUX0_SEL[3:0]					
CE6	2106	EQU[2:0]			U		CHOP_E[1:0]		RTM_E	CE_E
CE5	2107	U	U	U	SUM_SAMPS[12:8]					
CE4	2108	SUM_SAMPS[7:0]								
CE3	2109	U								
CE2	210A	PLS_MAXWIDTH[7:0]								
CE1	210B	PLS_INTERVAL[7:0]								
CE0	210C	R	R	DIFFB_E	DIFFA_E	RFLY_DIS	FIR_LEN[1:0]	PLS_INV	CE0	
RTM0	210D	U	U	U	U	U	U	RTM0[9:8]		
RTM0	210E	RTM0[7:0]								
RTM1	210F	RTM1[7:0]								
RTM2	2110	RTM2[7:0]								
RTM3	2111	RTM3[7:0]								
FIR_EXT	2112	U	U	U	U	SLOT_EXT[3:0]				
<b>CLOCK GENERATION</b>										
CKGN	2200	OUT_SQ[1:0]		ADC_DIV	PLL_FAST	RESET	MPU_DIV[2:0]			
<b>VREF TRIM FUSES</b>										
TRIMT	2309	TRIMT[7:0]								
<b>LCD/DIO</b>										
LCD0	2400	LCD_E	LCD_MODE[2:0]			LCD_ALLCOM	LCD_Y	LCD_CLK[1:0]		
LCD1	2401	LCD_VMODE[1:0]		LCD_BLNKMAP23[5:0]						
LCD2	2402	LCD_BAT	R	LCD_BLNKMAP22[5:0]						
LCD_MAP6	2405	LCD_MAP[55:48]								
LCD_MAP5	2406	LCD_MAP[47:40]								
LCD_MAP4	2407	LCD_MAP[39:32]								
LCD_MAP3	2408	LCD_MAP[31:24]								
LCD_MAP2	2409	LCD_MAP[23:16]								
LCD_MAP1	240A	LCD_MAP[15:8]								
LCD_MAP0	240B	LCD_MAP[7:0]								
LCD4	240C	U	U	U	U	U	LCD_RST	LCD_BLANK	LCD_ON	
LCD_DAC	240D	U	U	U	LCD_DAC[4:0]					
SEGDIO0	2410	U	U	LCD_SEG0[5:0]						
SEGDIO1	2411	U	U	LCD_SEG1[5:0]						
SEGDIO2	2412	U	U	LCD_SEG2[5:0]						
SEGDIO3	2413	U	U	LCD_SEG3[5:0]						
SEGDIO4	2414	U	U	LCD_SEG4[5:0]						
SEGDIO5	2415	U	U	LCD_SEG5[5:0]						
SEGDIO6	2416	U	U	LCD_SEG6[5:0]						
SEGDIO7	2417	U	U	LCD_SEG7[5:0]						
SEGDIO8	2418	U	U	LCD_SEG8[5:0]						
SEGDIO9	2419	U	U	LCD_SEG9[5:0]						
SEGDIO10	241A	U	U	LCD_SEG10[5:0]						
SEGDIO11	241B	U	U	LCD_SEG11[5:0]						
SEGDIO12	241C	U	U	LCD_SEG12[5:0]						
SEGDIO13	241D	U	U	LCD_SEG13[5:0]						
SEGDIO14	241E	U	U	LCD_SEG14[5:0]						

**Table 12. I/O RAM Locations in Numerical Order (continued)**

NAME	ADDR	BIT 7	BIT 6	BIT 5	BIT 4	BIT 3	BIT 2	BIT 1	BIT 0
SEGDIO15	241F	U	U	LCD_SEG15[5:0]					
SEGDIO16	2420	U	U	LCD_SEG16[5:0]					
SEGDIO17	2421	U	U	LCD_SEG17[5:0]					
SEGDIO18	2422	U	U	LCD_SEG18[5:0]					
SEGDIO19	2423	U	U	LCD_SEG19[5:0]					
SEGDIO20	2424	U	U	LCD_SEG20[5:0]					
SEGDIO21	2425	U	U	LCD_SEG21[5:0]					
SEGDIO22	2426	U	U	LCD_SEG22[5:0]					
SEGDIO23	2427	U	U	LCD_SEG23[5:0]					
SEGDIO24	2428	U	U	LCD_SEG24[5:0]					
SEGDIO25	2429	U	U	LCD_SEG25[5:0]					
SEGDIO26	242A	U	U	LCD_SEG26[5:0]					
SEGDIO27	242B	U	U	LCD_SEG27[5:0]					
SEGDIO28	242C	U	U	LCD_SEG28[5:0]					
SEGDIO29	242D	U	U	LCD_SEG29[5:0]					
SEGDIO30	242E	U	U	LCD_SEG30[5:0]					
SEGDIO31	242F	U	U	LCD_SEG31[5:0]					
SEGDIO32	2430	U	U	LCD_SEG32[5:0]					
SEGDIO33	2431	U	U	LCD_SEG33[5:0]					
SEGDIO34	2432	U	U	LCD_SEG34[5:0]					
SEGDIO35	2433	U	U	LCD_SEG35[5:0]					
SEGDIO36	2434	U	U	LCD_SEG36[5:0]					
SEGDIO37	2435	U	U	LCD_SEG37[5:0]					
SEGDIO38	2436	U	U	LCD_SEG38[5:0]					
SEGDIO39	2437	U	U	LCD_SEG39[5:0]					
SEGDIO40	2438	U	U	LCD_SEG40[5:0]					
SEGDIO41	2439	U	U	LCD_SEG41[5:0]					
SEGDIO42	243A	U	U	LCD_SEG42[5:0]					
SEGDIO43	243B	U	U	LCD_SEG43[5:0]					
SEGDIO44	243C	U	U	LCD_SEG44[5:0]					
SEGDIO45	243D	U	U	LCD_SEG45[5:0]					
SEGDIO46	243E	U	U	LCD_SEG46[5:0]					
SEGDIO47	243F	U	U	LCD_SEG47[5:0]					
SEGDIO48	2440	U	U	LCD_SEG48[5:0]					
SEGDIO49	2441	U	U	LCD_SEG49[5:0]					
SEGDIO50	2442	U	U	LCD_SEG50[5:0]					
SEGDIO51	2443	U	U	LCD_SEG51[5:0]					
SEGDIO52	2444	U	U	LCD_SEG52[5:0]					
SEGDIO53	2445	U	U	LCD_SEG53[5:0]					
SEGDIO54	2446	U	U	LCD_SEG54[5:0]					
SEGDIO55	2447	U	U	LCD_SEG55[5:0]					
DIO_R5	2450	U	U	U	U	U	DIO_RPB[2:0]		
DIO_R4	2451	U	DIO_R11[2:0]			U	DIO_R10[2:0]		
DIO_R3	2452	U	DIO_R9[2:0]			U	DIO_R8[2:0]		
DIO_R2	2453	U	DIO_R7[2:0]			U	DIO_R6[2:0]		
DIO_R1	2454	U	DIO_R5[2:0]			U	DIO_R4[2:0]		
DIO_R0	2455	U	DIO_R3[2:0]			U	DIO_R2[2:0]		
DIO0	2456	DIO_EEX[1:0]		U	UMUX_SEL	OPT_TXE[1:0]		OPT_TXMOD	OPT_TXINV
DIO1	2457	DIO_PW	DIO_PV	OPT_FDC[1:0]		U	OPT_RXDIS	OPT_RXINV	OPT_TXINV
DIO2	2458	DIO_PX	DIO_PY	U	OUT_SQE	U	U	U	U

**Table 12. I/O RAM Locations in Numerical Order (continued)**

NAME	ADDR	BIT 7	BIT 6	BIT 5	BIT 4	BIT 3	BIT 2	BIT 1	BIT 0
<b>NONVOLATILE BITS</b>									
TMUX	2502	U	U	TMUX[5:0]					
TMUX2	2503	U	U	TMUX2[4:0]					
RTC1	2504	U	RTCA_ADJ[6:0]						
TC_A1	2508	U	U	U	U	U	U	TC_A[9:8]	
TC_A2	2509	TC_A[7:0]							
TC_B1	250A	U	U	U	U	TC_B[11:8]			
TC_B2	250B	TC_B[7:0]							
PQMASK	2511	U	U	U	U	U	PQMASK[2:0]		
TSEL	2518	U	U	U	TEMP_SELE	TEMP_SEL[3:0]			
TSBASE1	2519	U	U	U	U	U	SBASE[10:8]		
TSBASE2	251A	SBASE[7:0]							
TSMAX	251B	U	SMAX[6:0]						
TSMIN	251C	U	SMIN[6:0]						
TSFILT	251D	U	U	U	U	SFILT[3:0]			
<b>71M6x01 REMOTE INTERFACE</b>									
REMOTE2	2602	RMT_RD[15:8]							
REMOTE1	2603	RMT_RD[7:0]							
<b>RBITS</b>									
INT1_E	2700	EX_EEX	EX_XPULSE	EX_YPULSE	EX_RTCT	EX_TCTEMP	EX_RTC1M	EX_RTC1S	EX_XFER
INT2_E	2701	EX_SPI	EX_WPULSE	EX_VPULSE	U	U	U	U	U
SECURE	2702	FLSH_UNLOCK[3:0]				R	FLSH_RDE	FLSH_WRE	R
Analog0	2704	VREF_CAL	VREF_DIS	PRE_E	ADC_E	BCURR	SPARE[2:0]		
INTBITS	2707	U	INT6	INT5	INT4	INT3	INT2	INT1	INT0
FLAG0	SFR E8	IE_EEX	IE_XPULSE	IE_YPULSE	IE_RTCT	IE_TCTEMP	IE_RTC1M	IE_RTC1S	IE_XFER
FLAG1	SFR F8	IE_SPI	IE_WPULSE	IE_VPULSE	U	U	U	U	PB_STATE
STAT	SFR F9	U	U	U	PLL_OK	U	VSTAT[2:0]		
REMOTE0	SFR FC	U	PERR_RD	PERR_WR	RCMD[4:0]				
SPI1	SFR FD	SPI_CMD[7:0]							
SPI0	2708	SPI_STAT[7:0]							
RCE0	2709	CHOPR[1:0]		R	R	RMT_E	R	R	R
RTMUX	270A	U	R	R	R	U	TMUXRA[2:0]		
INFO_PG	270B	U	U	U	U	U	U	U	INFO_PG
DIO3	270C	U	U	PORT_E	SPI_E	SPI_SAFE	U	U	U
TNM1	2710	U	TEMP_NMAX[14:8]						
TNM2	2711	TEMP_NMAX[7:0]							
TM1	2712	U	U	U	U	TEMP_M[11:8]			
TM2	2713	TEMP_M[7:0]							
TNB1	2714	TEMP_NBAT[15:8]							
TNB2	2715	TEMP_NBAT[7:0]							

**Table 12. I/O RAM Locations in Numerical Order (continued)**

NAME	ADDR	BIT 7	BIT 6	BIT 5	BIT 4	BIT 3	BIT 2	BIT 1	BIT 0	
<b>NV RAM AND RTC</b>										
NVRAMxx	2800	NVRAM[0] to NVRAM[7F] - 128 bytes, direct access, 0x2800 to 0x287F								
WAKE	2880	WAKE_TMR[7:0]								
STEMP1	2881	STEMP[15:8]								
STEMP0	2882	STEMP[7:0]								
BSENSE	2885	BSENSE[7:0]								
PQ2	2886	U	U	U	PQ[20:16]					
PQ1	2887	PQ[15:8]								
PQ0	2888	PQ[7:0]								
RTC0	2890	RTC_WR	RTC_RD	U	RTC_FAIL	U	U	U	U	
RTC2	2892	RTC_SBSC[7:0]								
RTC3	2893	U	U	RTC_SEC[5:0]						
RTC4	2894	U	U	RTC_MIN[5:0]						
RTC5	2895	U	U	U	RTC_HR[4:0]					
RTC6	2896	U	U	U	U	U	RTC_DAY[2:0]			
RTC7	2897	U	U	U	RTC_DATE[4:0]					
RTC8	2898	U	U	U	U	RTC_MO[3:0]				
RTC9	2899	RTC_YR[7:0]								
RTC11	289C	U	U	U	U	TC_C[11:8]				
RTC12	289D	TC_C[7:0]								
RTC13	289E	U	U	RTC_TMIN[5:0]						
RTC14	289F	U	U	U	RTC_THR[4:0]					
TEMP	28A0	TEMP_BSEL	TEMP_PWR	OSC_COMP	TEMP_BAT	TBYTE_BUSY	TEMP_PER[2:0]			
WF1	28B0	WF_CSTART	WF_RST	WF_RSTBIT	WF_OVF	WF_ERST	WF_BADVDD	U	U	
WF2	28B1	U	WF_TEMP	WF_TMR	WF_RX	WF_PB	WF_DIO4	WF_DIO52	WF_DIO55	
MISC	28B2	SLEEP	LCD_ONLY	WAKE_ARM	U	U	U	U	U	
WAKE_E	28B3	U	EW_TEMP	U	EW_RX	EW_PB	EW_DIO4	EW_DIO52 †	EW_DIO55	
WDRST	28B4	WD_RST	TEMP_START	U	U	U	U	U	U	
<b>MPU PORTS</b>										
P3	SFR B0	DIO_DIR[15:12]				DIO[15:12]				
P2	SFR A0	DIO_DIR[11:8]				DIO[11:8]				
P1	SFR 90	DIO_DIR[7:4]				DIO[7:4]				
P0	SFR 80	DIO_DIR[3:0]				DIO[3:0]				
<b>FLASH</b>										
FLSH_ERASE	SFR 94	FLSH_ERASE[7:0]								
FLSH_CTL	SFR B2	PREBOOT	SECURE	U	U	FLSH_PEND	FLSH_PSTWR	FLSH_MEEN	FLSH_PWE	
FLSH_BANK	SFR B6	U	U	U	U	U	FLSH_BANK[1:0]			
FLSH_PGADR	SFR B7	FLSH_PGADR[6:0]							U	
<b>I<sup>2</sup>C</b>										
EEDATA	SFR 9E	EEDATA[7:0]								
EECTRL	SFR 9F	EECTRL[7:0]								

**Table 13. I/O RAM Locations in Alphabetical Order**

NAME	LOCATION	RST	WK	DIR	DESCRIPTION																					
ADC_E	2704[4]	0	0	R/W	Enables ADC and V <sub>REF</sub> . When disabled, reduces bias current.																					
ADC_DIV	2200[5]	0	0	R/W	ADC_DIV controls the rate of the ADC and FIR clocks. The ADC_DIV setting determines whether MCK is divided by 4 or 8: 0 = MCK/4 1 = MCK/8 The resulting ADC and FIR clock is as shown below.																					
					PLL_FAST = 0	PLL_FAST = 1																				
					MCK	6.291456MHz	19.660800MHz																			
					ADC_DIV = 0	1.572864MHz	4.9152MHz																			
					ADC_DIV = 1	0.786432MHz	2.4576MHz																			
BCURR	2704[3]	0	0	R/W	Connects a 100µA load to the battery selected by TEMP_BSEL.																					
BSENSE[7:0]	2885[7:0]	–	–	R	The result of the battery measurement.																					
CE_E	2106[0]	0	0	R/W	CE enable.																					
CE_LCTN[6:0] CE_LCTN[5:0]	2109[6:0] 2109[5:0]	31	31	R/W	CE program location. The starting address for the CE program is 1024 x CE_LCTN. CE_LCTN[6:0], 2109[6:0] for 71M6541GT/42GT CE_LCTN[5:0], 2109[5:0] for 71M6541DT/41FT/42FT																					
CHIP_ID[15:0]	2300[7:0] 2301[7:0]	0 0	0 0	R R	These bytes contain the chip identification. CHIP[15:0]: 71M6541DT (118Ch) 71M6541FT (1194h) 71M6542FT (0808h) 71M6541GT (2009h) 71M6542GT (2011h)																					
CHOP_E[1:0]	2106[3:2]	0	0	R/W	Chop enable for the reference bandgap circuit. The value of CHOP changes on the rising edge of MUXSYNC according to the value in CHOP_E: 00 = toggle <sup>1</sup> 01 = positive 10 = reversed 11 = toggle <sup>1</sup> except at the mux sync edge at the end of an accumulation interval. Note: CHOP_E = 11 is the preferred mode for low-noise applications.																					
CHOPR[1:0]	2709[7:6]	00	00	R/W	The CHOP settings for the remote sensor. 00 = Auto chop. Change every MUX frame. 01 = Positive 10 = Negative 11 = Auto chop. Same as 00.																					
DIFFA_E	210C[4]	0	0	R/W	Enables differential configuration for the IA current input (IAP-IAN).																					
DIFFB_E	210C[5]	0	0	R/W	Enables differential configuration for the IB current input (IBP-IBN).																					
DIO_R2[2:0] DIO_R3[2:0] DIO_R4[2:0] DIO_R5[2:0] DIO_R6[2:0] DIO_R7[2:0] DIO_R8[2:0] DIO_R9[2:0] DIO_R10[2:0] DIO_R11[2:0] DIO_RPB[2:0]	2455[2:0] 2455[6:4] 2454[2:0] 2454[6:4] 2453[2:0] 2453[6:4] 2452[2:0] 2452[6:4] 2451[2:0] 2451[6:4] 2450[2:0]	0 0 0 0 0 0 0 0 0 0 0	– – – – – – – – – – –	R/W	Connects PB and dedicated I/O pins DIO2 through DIO11 to internal resources. If more than one input is connected to the same resource, the MULTIPLE column below specifies how they are combined.																					
					<table border="1"> <thead> <tr> <th>DIO_Rx</th> <th>RESOURCE</th> <th>MULTIPLE</th> </tr> </thead> <tbody> <tr> <td>0</td> <td>NONE</td> <td>–</td> </tr> <tr> <td>1</td> <td>Reserved</td> <td>OR</td> </tr> <tr> <td>2</td> <td>T0 (Timer0 clock or gate)</td> <td>OR</td> </tr> <tr> <td>3</td> <td>T1 (Timer1 clock or gate)</td> <td>OR</td> </tr> <tr> <td>4</td> <td>IO interrupt (int0)</td> <td>OR</td> </tr> <tr> <td>5</td> <td>IO interrupt (int1)</td> <td>OR</td> </tr> </tbody> </table>	DIO_Rx	RESOURCE	MULTIPLE	0	NONE	–	1	Reserved	OR	2	T0 (Timer0 clock or gate)	OR	3	T1 (Timer1 clock or gate)	OR	4	IO interrupt (int0)	OR	5	IO interrupt (int1)	OR
DIO_Rx	RESOURCE	MULTIPLE																								
0	NONE	–																								
1	Reserved	OR																								
2	T0 (Timer0 clock or gate)	OR																								
3	T1 (Timer1 clock or gate)	OR																								
4	IO interrupt (int0)	OR																								
5	IO interrupt (int1)	OR																								
DIO_DIR[15:12] DIO_DIR[11:8] DIO_DIR[7:4] DIO_DIR[3:0]	SFR B0[7:4] SFR A0[7:4] SFR 90[7:4] SFR 80[7:4]	F F F F	F F F F	R/W	Programs the direction of the first 16 DIO pins. 1 indicates output. Ignored if the pin is not configured as I/O. See DIO_PV and DIO_PW for special option for the SEG DIO0 and SEG DIO1 outputs. See DIO_EEX for special option for SEG DIO2 and SEG DIO3. Note that the direction of DIO pins above 15 is set by SEG DIOx[1]. See PORT_E to avoid power-up spikes.																					



**Table 13. I/O RAM Locations in Alphabetical Order (continued)**

NAME	LOCATION	RST	WK	DIR	DESCRIPTION					
DIO[15:12] DIO[11:8] DIO[7:4] DIO[3:0]	SFR B0[3:0] SFR A0[3:0] SFR 90[3:0] SFR 80[3:0]	F	F	R/W	The value on the first 16 DIO pins. Pins configured as LCD reads zero. When written, changes data on pins configured as outputs. Pins configured as LCD or input ignore writes. Note that the data for DIO pins above 15 is set by SEGDI0x[0].					
DIO_EEX[1:0]	2456[7:6]	0	-	R/W	When set, converts pins SEGDI03/SEGDI02 to interface with external EEPROM. SEGDI02 becomes SDCK and SEGDI03 becomes bidirectional SDATA, but only if LCD_MAP[2] and LCD_MAP[3] are cleared.					
					<b>DIO_EEX[1:0]</b>	<b>FUNCTION</b>				
					00	Disable EEPROM interface				
					01	2-Wire EEPROM interface				
					10	3-Wire EEPROM interface				
11	3-Wire EEPROM interface with separate DO (DIO3) and DI (DIO8) pins.									
DIO_PV	2457[6]	0	-	R/W	Causes VARPULSE to be output on pin SEGDI01, if LCD_MAP[1] = 0.					
DIO_PW	2457[7]	0	-	R/W	Causes WPULSE to be output on pin SEGDI00, if LCD_MAP[0] = 0.					
DIO_PX	2458[7]	0	-	R/W	Causes XPULSE to be output on pin SEGDI06, if LCD_MAP[6] = 0.					
DIO_PY	2458[6]	0	-	R/W	Causes YPULSE to be output on pin SEGDI07, if LCD_MAP[7] = 0.					
EEDATA[7:0]	SFR 9E	0	0	R/W	Serial EEPROM interface data.					
EECTRL[7:0]	SFR 9F	0	0	R/W	Serial EEPROM interface control.					
					<b>STATUS BIT</b>	<b>NAME</b>	<b>READ/ WRITE</b>	<b>RESET STATE</b>	<b>POLARITY</b>	<b>DESCRIPTION</b>
					7	ERROR	R	0	Positive	1 when an illegal command is received.
					6	BUSY	R	0	Positive	1 when serial data bus is busy.
5	RX_ACK	R	1	Positive	1 indicates that the EEPROM sent an ACK bit.					
EQU[2:0]	2106[7:5]	0	0	R/W	Specifies the power equation.					
					<b>EQU</b>	<b>Watt &amp; VAR Formula (WSUM/VARSUM)</b>	<b>Inputs Used for Energy/Current Calculation</b>			
							<b>W0SUM/ VAR0SUM</b>	<b>W1SUM/ VAR1SUM</b>	<b>I0SQ SUM</b>	<b>I1SQ SUM</b>
					0	$VA \times IA$ 1 element, 2W 1 $\phi$	$VA \times IA$	$VA \times IB1$	IA	IB1
					1	$VA \times (IA-IB)/2$ 1 element, 3W 1 $\phi$	$VA \times (IA-IB)/2$	-	IA-IB	IB
2†	$VA \times IA + VB \times IB$ 2 element, 3W 3 $\phi$ Delta	$VA \times IA$	$VB \times IB$	IA	IB					
Note: Optionally, IB may be used to measure neutral current. † 71M6542FT/GT only										
EX_XFER EX_RTC1S EX_RTC1M EX_TCTEMP EX_RTCT EX_SPI EX_EEX EX_XPULSE EX_YPULSE EX_WPULSE EX_VPULSE	2700[0] 2700[1] 2700[2] 2700[3] 2700[4] 2701[7] 2700[7] 2700[6] 2700[5] 2701[6] 2701[5]	0	0	R/W	Interrupt enable bits. These bits enable the XFER_BUSY, the RTC_1SEC, etc. The bits are set by hardware and cannot be set by writing a 1. The bits are reset by writing 0. Note that if one of these interrupts is to be enabled, its corresponding 8051 EX enable bit must also be set.					

**Table 13. I/O RAM Locations in Alphabetical Order (continued)**

NAME	LOCATION	RST	WK	DIR	DESCRIPTION		
EW_DIO4	28B3[2]	0	–	R/W	Connects SEG_DIO4 to the WAKE logic and permits SEG_DIO4 rising to wake the part. This bit has no effect unless DIO4 is configured as a digital input.		
EW_DIO52	28B3[1]	0	–	R/W	Connects SEG_DIO52 to the WAKE logic and permits SEG_DIO52 rising to wake the part. This bit has no effect unless SEG_DIO52 is configured as a digital input. The SEG_DIO52 pin is only available in the 71M6542FT.		
EW_DIO55	28B3[0]	0	–	R/W	Connects SEG_DIO55 to the WAKE logic and permits SEG_DIO55 rising to wake the part. This bit has no effect unless SEG_DIO55 is configured as a digital input.		
EW_PB	28B3[3]	0	–	R/W	Connects PB to the WAKE logic and permits PB rising to wake the part. PB is always configured as an input.		
EW_RX	28B3[4]	0	–	R/W	Connects RX to the WAKE logic and permits RX rising to wake the part. See the WAKE description on page 84 for de-bounce issues.		
EW_TEMP	28B3[5]	0	–	R/W	Connects the temperature range check hardware to the WAKE logic and permits the range check hardware to wake the part.		
FIR_LEN[1:0]	210C[2:1]	0	0	R/W	Determines the number of ADC cycles in the ADC decimation FIR filter.		
					PLL_FAST = 1:		
					<b>FIR_LEN[1:0]</b>	<b>ADC Cycles</b>	
					00	141	
					01	288	
					10	384	
					PLL_FAST = 0:		
					<b>FIR_LEN[1:0]</b>	<b>ADC Cycles</b>	
00	135						
01	276						
10	Not Allowed						
					The ADC LSB size and full-scale values depend on the FIR_LEN[1:0] setting.		
FLSH_BANK[7:0]	SFR B6[1:0]	01	01	R/W	Flash Bank Selection		
					<b>FLSH_BANK[1:0]</b>	<b>ADDRESS RANGE FOR LOWER BANK (0x0000–0x7FFF)</b>	<b>ADDRESS RANGE FOR UPPER BANK (0x8000–0x7FFF)</b>
					00	0x0000–0x7FFF	0x0000–0x7FFF
					01	0x0000–0x7FFF	0x8000–0x7FFF
					10	0x0000–0x7FFF	0x10000–0x17FFFF
11	0x0000–0x7FFF	0x18000–0x1FFFF					
FLSH_ERASE[7:0]	SFR 94[7:0]	0	0	W	Flash Erase Initiate FLSH_ERASE is used to initiate either the Flash Mass Erase cycle or the Flash Page Erase cycle. Specific patterns are expected for FLSH_ERASE in order to initiate the appropriate Erase cycle. (default = 0x00). 0x55 = Initiate Flash Page Erase cycle. Must be preceded by a write to FLSH_PGADR[6:0] (SFR 0xB7[7:1]). 0xAA = Initiate Flash Mass Erase cycle. Must be preceded by a write to FLSH_MEEN and the ICE port must be enabled. Any other pattern written to FLSH_ERASE has no effect.		
FLSH_MEEN	SFR B2[1]	0	0	W	Mass Erase Enable 0 = Mass Erase disabled (default). 1 = Mass Erase enabled. Must be re-written for each new Mass Erase cycle.		
FLSH_PEND	SFR B2[3]	0	0	R	Indicates that a timed flash write is pending. If another flash write is attempted, it is ignored.		
FLSH_PGADR[6:0]	SFR B7[7:1]	0	0	W	Flash Page Erase Address Flash Page Address (page 0 thru 63) that is erased during the Page Erase cycle. (default = 0x00). Must be re-written for each new Page Erase cycle.		
FLSH_PSTWR	SFR B2[2]	0	0	R/W	Enables timed flash writes. When 1, and if CE_E = 1, flash write requests are stored in a one-element deep FIFO and are executed when CE_BUSY falls. FLSH_PEND can be read to determine the status of the FIFO. If FLSH_PSTWR = 0 or if CE_E = 0, flash writes are immediate.		

**Table 13. I/O RAM Locations in Alphabetical Order (continued)**

NAME	LOCATION	RST	WK	DIR	DESCRIPTION	
FLSH_PWE	SFR B2[0]	0	0	R/W	Program Write Enable 0 = MOVX commands refer to External RAM Space, normal operation (default). 1 = MOVX @DPTR,A moves A to External Program Space (Flash) @DPTR. This bit is automatically reset after each byte written to flash. Writes to this bit are inhibited when interrupts are enabled.	
FLSH_RDE	2702[2]	–	–	R	Indicates that the flash may be read by ICE or SPI slave. FLSH_RDE = (!SECURE)	
FLSH_UNLOCK[3:0]	2702[7:4]	0	0	R/W	Must be a '2' to enable any flash modification. See the description of Flash security for more details.	
FLSH_WRE	2702[1]	–	–	R	Indicates that the flash may be written through ICE or SPI slave ports.	
IE_XFER IE_RTC1S IE_RTC1M IE_TCTEMP IE_RTCT IE_SPI IE_EEX IE_XPULSE IE_YPULSE IE_WPULSE IE_VPULSE	SFR E8[0] SFR E8[1] SFR E8[2] SFR E8[3] SFR E8[4] SFR F8[7] SFR E8[7] SFR E8[6] SFR E8[5] SFR F8[4] SFR F8[3]	0	0	R/W	Interrupt flags for external interrupts 2, 5, and 6. These flags monitor the source of the int2, int5, and int6 interrupts (external interrupts to the MPU core). These flags are set by hardware and must be cleared by the software interrupt handler. The IEX2 (SFR 0xC0[1]) and IEX6 (SFR 0xC0[5]) interrupt flags are automatically cleared by the MPU core when it vectors to the interrupt handler. IEX2 and IEX6 must be cleared by writing zero to their corresponding bit positions in SFR 0xC0, while writing ones to the other bit positions that are not being cleared.	
INTBITS	2707[6:0]	–	–	R	Interrupt inputs. The MPU may read these bits to see the input to external interrupts INT0, INT1, up to INT6. These bits do not have any memory and are primarily intended for debug use.	
LCD_ALLCOM	2400[3]	0	–	R/W	Configures SEG/COM bits as COM. Has no effect on pins whose LCD_MAP bit is zero.	
LCD_BAT	2402[7]	0	–	R/W	Connects the LCD power supply to V <sub>BAT</sub> in all modes.	
LCD_BLNKMAP23[5:0] LCD_BLNKMAP22[5:0]	2401[5:0] 2402[5:0]	0	–	R/W	Identifies which segments connected to SEG23 and SEG22 should blink. 1 means 'blink.' The most significant bit corresponds to COM5, the least significant, to COM0.	
LCD_CLK[1:0]	2400[1:0]	0	–	R/W	Sets the LCD clock frequency. Note: fw = 32,768Hz	
					<b>LCD_CLK</b>	<b>LCD Clock Frequency</b>
					00	64 Hz
					01	128 Hz
					10	256 Hz
11	512 Hz					
LCD_DAC[4:0]	240D[4:0]	0	–	R/W	The LCD contrast DAC. This DAC controls the V <sub>LCD</sub> voltage and has an output range of 2.5V to 5V. The VLCD voltage is $V_{LCD} = 2.5 + 2.5 \times LCD\_DAC[4:0]/31$ Thus, the LSB of the DAC is 80.6mV. The maximum DAC output voltage is limited by V <sub>V3P3SYS</sub> , V <sub>BAT</sub> , and whether LCD_BSTE = 1.	
LCD_E	2400[7]	0	–	R/W	Enables the LCD display. When disabled, VLC2, VLC1, and VLC0 are ground as are the COM and SEG outputs if their LCD_MAP bit is 1.	
LCD_MAP[55:48] LCD_MAP[47:40] LCD_MAP[39:32] LCD_MAP[31:24] LCD_MAP[23:16] LCD_MAP[15:8] LCD_MAP[7:0]	2405[7:0] 2406[7:0] 2407[7:0] 2408[7:0] 2409[7:0] 240A[7:0] 240B[7:0]	0 0 0 0 0 0 0	– – – – – – –	R/W R/W R/W R/W R/W R/W R/W	Enables LCD segment driver mode of combined SEG/DIO pins. Pins that cannot be configured as outputs (SEG48 through SEG50) become inputs with internal pull ups when their LCD_MAP bit is zero. Also, note that SEG48 through SEG50 are multiplexed with the in-circuit emulator signals. When the ICE_E pin is high, the ICE interface is enabled, and SEG48 through SEG50 become E_RXTX, E_TCLK and E_RST, respectively.	
LCD_MODE[2:0]	2400[6:4]	0	–	R/W	Selects the LCD bias and multiplex mode.	
					<b>LCD_MODE</b>	<b>Output</b>
					000	4 states, 1/4 bias
					001	3 states, 1/4 bias
					010	2 states, 1/2 bias
					011	3 states, 1/2 bias
					100	Static display
					101	5 states, 1/4 bias
					110	6 states, 1/4 bias

**Table 13. I/O RAM Locations in Alphabetical Order (continued)**

NAME	LOCATION	RST	WK	DIR	DESCRIPTION
LCD_ON LCD_BLANK	240C[0] 240C[1]	0 0	– –	R/W R/W	Turns on or off all LCD segments without changing LCD data. If both bits are set, the LCD display is turned on.
LCD_ONLY	28B2[6]	0	0	W	Puts the IC to sleep, but with LCD display still active. Ignored if system power is present. It awakens when Wake Timer times out, when certain DIO pins are raised, or when system power returns.
LCD_RST	240C[2]	0	–	R/W	Clear all bits of LCD data. These bits affect SEG DIO pins that are configured as LCD drivers. This bit does not auto clear.
LCD_SEG0[5:0]	2410[5:0]	0	–	R/W	SEG Data for SEG0
LCD_SEG1[5:0]	2411[5:0]	0	–	R/W	SEG Data for SEG1
LCD_SEG2[5:0]	2412[5:0]	0	–	R/W	SEG Data for SEG2
LCD_SEG3[5:0]	2413[5:0]	0	–	R/W	SEG Data for SEG3
LCD_SEG4[5:0]	2414[5:0]	0	–	R/W	SEG Data for SEG4
LCD_SEG5[5:0]	2415[5:0]	0	–	R/W	SEG Data for SEG5
LCD_SEG6[5:0]	2416[5:0]	0	–	R/W	SEG Data for SEG6
LCD_SEG7[5:0]	2417[5:0]	0	–	R/W	SEG Data for SEG7
LCD_SEG8[5:0]	2418[5:0]	0	–	R/W	SEG Data for SEG8
LCD_SEG9[5:0]	2419[5:0]	0	–	R/W	SEG Data for SEG9
LCD_SEG10[5:0]	241A[5:0]	0	–	R/W	SEG Data for SEG10
LCD_SEG11[5:0]	241B[5:0]	0	–	R/W	SEG Data for SEG11
LCD_SEG12[5:0]	241C[5:0]	0	–	R/W	SEG Data for SEG12
LCD_SEG13[5:0]	241D[5:0]	0	–	R/W	SEG Data for SEG13
LCD_SEG14[5:0]	241E[5:0]	0	–	R/W	SEG Data for SEG14
LCD_SEG15[5:0]	241F[5:0]	0	–	R/W	SEG Data for SEG15
LCD_SEG16[5:0]	2420[5:0]	0	–	R/W	SEG Data for SEG16
LCD_SEG17[5:0]	2421[5:0]	0	–	R/W	SEG Data for SEG17
LCD_SEG18[5:0]	2422[5:0]	0	–	R/W	SEG Data for SEG18
LCD_SEG19[5:0]	2423[5:0]	0	–	R/W	SEG Data for SEG19
LCD_SEG20[5:0]	2424[5:0]	0	–	R/W	SEG Data for SEG20
LCD_SEG21[5:0]	2425[5:0]	0	–	R/W	SEG Data for SEG21
LCD_SEG22[5:0]	2426[5:0]	0	–	R/W	SEG Data for SEG22
LCD_SEG23[5:0]	2427[5:0]	0	–	R/W	SEG Data for SEG23
LCD_SEG24[5:0]	2428[5:0]	0	–	R/W	SEG Data for SEG24
LCD_SEG25[5:0]	2429[5:0]	0	–	R/W	SEG Data for SEG25
LCD_SEG26[5:0]	242A[5:0]	0	–	R/W	SEG Data for SEG26
LCD_SEG27[5:0]	242B[5:0]	0	–	R/W	SEG Data for SEG27
LCD_SEG28[5:0]	242C[5:0]	0	–	R/W	SEG Data for SEG28
LCD_SEG29[5:0]	242D[5:0]	0	–	R/W	SEG Data for SEG29
LCD_SEG30[5:0]	242E[5:0]	0	–	R/W	SEG Data for SEG30
LCD_SEG31[5:0]	242F[5:0]	0	–	R/W	SEG Data for SEG31
LCD_SEG32[5:0]	2430[5:0]	0	–	R/W	SEG Data for SEG32
LCD_SEG33[5:0]	2431[5:0]	0	–	R/W	SEG Data for SEG33
LCD_SEG34[5:0]	2432[5:0]	0	–	R/W	SEG Data for SEG34
LCD_SEG35[5:0]	2433[5:0]	0	–	R/W	SEG Data for SEG35
LCD_SEG36[5:0]	2434[5:0]	0	–	R/W	SEG Data for SEG36
LCD_SEG37[5:0]	2435[5:0]	0	–	R/W	SEG Data for SEG37
LCD_SEG38[5:0]	2436[5:0]	0	–	R/W	SEG Data for SEG38
LCD_SEG39[5:0]	2437[5:0]	0	–	R/W	SEG Data for SEG39
LCD_SEG40[5:0]	2438[5:0]	0	–	R/W	SEG Data for SEG40
LCD_SEG41[5:0]	2439[5:0]	0	–	R/W	SEG Data for SEG41
LCD_SEG42[5:0]	243A[5:0]	0	–	R/W	SEG Data for SEG42
LCD_SEG43[5:0]	243B[5:0]	0	–	R/W	SEG Data for SEG43
LCD_SEG44[5:0]	243C[5:0]	0	–	R/W	SEG Data for SEG44

**Table 13. I/O RAM Locations in Alphabetical Order (continued)**

NAME	LOCATION	RST	WK	DIR	DESCRIPTION	
LCD_SEG45[5:0]	243D[5:0]	0	–	R/W	SEG Data for SEG45	
LCD_SEG46[5:0]	243E[5:0]	0	–	R/W	SEG Data for SEG46	
LCD_SEG47[5:0]	243F[5:0]	0	–	R/W	SEG Data for SEG47	
LCD_SEG48[5:0]	2440[5:0]	0	–	R/W	SEG Data for SEG48	
LCD_SEG49[5:0]	2441[5:0]	0	–	R/W	SEG Data for SEG49	
LCD_SEG50[5:0]	2442[5:0]	0	–	R/W	SEG Data for SEG50	
LCD_SEG51[5:0]	2443[5:0]	0	–	R/W	SEG Data for SEG51	
LCD_SEG52[5:0]	2444[5:0]	0	–	R/W	SEG Data for SEG52	
LCD_SEG53[5:0]	2445[5:0]	0	–	R/W	SEG Data for SEG53	
LCD_SEG54[5:0]	2446[5:0]	0	–	R/W	SEG Data for SEG54	
LCD_SEG55[5:0]	2447[5:0]	0	–	R/W	SEG Data for SEG55	
LCD_VMODE[1:0]	2401[7:6]	00	00	R/W	Specifies how $V_{LCD}$ is generated.	
					<b>LCD_VMODE</b>	<b>Description</b>
					11	External $V_{LCD}$
					10	LCD DAC enabled
					01	LCD DAC enabled
00	No DAC. $V_{LCD} = V3P3L$ .					
LCD_Y	2400[2]	0	–	R/W	LCD Blink Frequency (ignored if blink is disabled). 1 = 1 Hz, 0 = 0.5 Hz	
MPU_DIV[2:0]	2200[2:0]	0	0	R/W	MPU clock rate is: $MPU\ Rate = MCK\ Rate \times 2^{-(2+MPU\_DIV[2:0])}$ . The maximum value for MPU_DIV[2:0] is 4. Based on the default values of the PLL_FAST bit and MPU_DIV[2:0], the power up MPU rate is $6.29MHz/4 = 1.5725MHz$ . The minimum MPU clock rate is 38.4kHz when PLL_FAS T = 1.	
MUX2_SEL[3:0]	2104[3:0]	0	0	R/W	Selects which ADC input is to be converted during time slot 2.	
MUX3_SEL[3:0]	2104[7:4]	0	0	R/W	Selects which ADC input is to be converted during time slot 3.	
MUX4_SEL[3:0]	2103[3:0]	0	0	R/W	Selects which ADC input is to be converted during time slot 4.	
MUX5_SEL[3:0]	2103[7:4]	0	0	R/W	Selects which ADC input is to be converted during time slot 5.	
MUX6_SEL[3:0]	2102[3:0]	0	0	R/W	Selects which ADC input is to be converted during time slot 6.	
MUX7_SEL[3:0]	2102[7:4]	0	0	R/W	Selects which ADC input is to be converted during time slot 7.	
MUX8_SEL[3:0]	2101[3:0]	0	0	R/W	Selects which ADC input is to be converted during time slot 8.	
MUX9_SEL[3:0]	2101[7:4]	0	0	R/W	Selects which ADC input is to be converted during time slot 9.	
MUX10_SEL[3:0]	2100[3:0]	0	0	R/W	Selects which ADC input is to be converted during time slot 10.	
MUX_DIV[3:0]	2100[7:4]	0	0	R/W	MUX_DIV[3:0] is the number of ADC time slots in each MUX frame. The maximum number of time slots is 11.	
OPT_BB	2457[0]	0	–	R/W	Configures the input of the optical port to be a DIO pin to allow it to be bit-banded. In this case, DIO5 becomes a third high speed UART.	
OPT_FDC[1:0]	2457[5:4]	0	–	R/W	Selects OPT_TX modulation duty cycle.	
					<b>OPT_FDC</b>	<b>Function</b>
					00	50% Low
					01	25% Low
					10	12.5% Low
11	6.25% Low					
OPT_RXDIS	2457[2]	0	–	R/W	OPT_RX can be configured as an input to the optical UART or as SEG55. OPT_RXDIS = 0 and LCD_MAP[55] = 0: OPT_RX OPT_RXDIS = 1 and LCD_MAP[55] = 0: DIO55 OPT_RXDIS = 0 and LCD_MAP[55] = 1: SEG55 OPT_RXDIS = 1 and LCD_MAP[55] = 1: SEG55	
OPT_RXINV	2457[1]	0	–	R/W	Inverts result from OPT_RX comparator when 1. Affects only the UART input. Has no effect when OPT_RX is used as a DIO input.	

**Table 13. I/O RAM Locations in Alphabetical Order (continued)**

NAME	LOCATION	RST	WK	DIR	DESCRIPTION
OPT_TXE [1:0]	2456[3:2]	00	–	R/W	Configures the OPT_TX output pin. If LCD_MAP[51] = 0: 00 = DIO51, 01 = OPT_TX, 10 = WPULSE, 11 = VARPULSE If LCD_MAP[51] = 1: xx = SEG51
OPT_TXINV	2456[0]	0	–	R/W	Invert OPT_TX when 1. This inversion occurs before modulation.
OPT_TXMOD	2456[1]	0	–	R/W	Enables modulation of OPT_TX. When OPT_TXMOD is set, OPT_TX is modulated when it would otherwise have been zero. The modulation is applied after any inversion caused by OPT_TXINV.
OSC_COMP	28A0[5]	0	–	R/W	Enables the automatic update of the PQ RTC compensation value every time the temperature is measured.
OUT_SQ[1:0]	2200[7:6]	0	0	R/W	Defines the square wave output on SEGDI015 (if OUT_SQE=1) 00 – Off 01 – 3.2768MHz 10 – 4.9152MHz 11 – 9.83MHz
OUT_SQE	2458[4]	0	0	R/W	Enables the square wave output on SEGDI015.
PB_STATE	SFR F8[0]	0	0	R	The de-bounced state of the PB pin.
PERR_RD PERR_WR	SFR FC[6] SFR FC[5]	0	0	R/W	The IC sets these bits to indicate that a parity error on the remote sensor has been detected. Once set, the bits are remembered until they are cleared by the MPU.
PLL_OK	SFR F9[4]	0	0	R	Indicates that the clock generation PLL is settled.
PLL_FAST	2200[4]	0	0	R/W	Controls the speed of the PLL and MCK. 1 = 19.66 MHz (XTAL x 600) 0 = 6.29MHz (XTAL x 192)
PLS_MAXWIDTH[7:0]	210A[7:0]	FF	FF	R/W	PLS_MAXWIDTH[7:0] determines the maximum width of the pulse (low-going pulse if PLS_INV = 0 or high-going pulse if PLS_INV = 1). The maximum pulse width is (2 x PLS_MAXWIDTH[7:0] + 1) x TI. Where TI is PLS_INTERVAL[7:0] in units of CK_FIR clock cycles. If PLS_INTERVAL[7:0] = 0 or PLS_MAXWIDTH[7:0] = 255, no pulse width checking is performed and the output pulses have 50% duty cycle.
PLS_INTERVAL[7:0]	210B[7:0]	0	0	R/W	PLS_INTERVAL[7:0] determines the interval time between pulses. The time between output pulses is PLS_INTERVAL[7:0] x 4 in units of CK_FIR clock cycles. If PLS_INTERVAL[7:0] = 0, the FIFO is not used and pulses are output as soon as the CE issues them. PLS_INTERVAL[7:0] is calculated as follows: PLS_INTERVAL[7:0] = Floor ( Mux frame duration in CK_FIR cycles/ CE pulse updates per Mux frame/4 ) For example, since the 71M654xT CE code is written to generate 6 pulses in one integration interval, when the FIFO is enabled (i.e., PLS_INTERVAL[7:0] ≠ 0) and that the frame duration is 1950 CK_FIR clock cycles, PLS_INTERVAL[7:0] should be written with Floor(1950/6/4) = 81 so that the five pulses are evenly spaced in time over the integration interval and the last pulse is issued just prior to the end of the interval.
PLS_INV	210C[0]	0	0	R/W	Inverts the polarity of WPULSE, VARPULSE, XPULSE and YPULSE. Normally, these pulses are active low. When inverted, they become active high.
PORT_E	270C[5]	0	0	R/W	Enables outputs from the pins SEGDI00-SEGDI015. PORT_E = 0 after reset and power-up blocks the momentary output pulse that would occur on SEGDI00 to SEGDI015.
PQ[20:0]	2886[4:0] 2887[7:0] 2888[7:0]	0	0	R	Temperature compensation value computed by the quadratic compensation formula.

**Table 13. I/O RAM Locations in Alphabetical Order (continued)**

NAME	LOCATION	RST	WK	DIR	DESCRIPTION																					
PQMASK	2511[2:0]	0	0	R/W	Sets the length of the PQ mask. The mask is ANDed with the last four bits of PQ according to the table below. PQMASK also determines the length of PULSE_AUTO in TMUX.																					
					<b>PQMASK</b>	<b>Mask</b>	<b>PULSE_AUTO width</b>																			
					000	0000	1s																			
					001	1000	2s																			
					010	1100	4s																			
					011	1110	8s																			
					100	1111	16s																			
PRE_E	2704[5]	0	0	R/W	Enables the 8x preamplifier.																					
PREBOOT	SFRB2[7]	–	–	R	Indicates that preboot sequence is active.																					
RCMD[4:0]	SFR FC[4:0]	0	0	R/W	When the MPU writes a non-zero value to RCMD[4:0], the IC issues a command to the appropriate remote sensor. When the command is complete, the IC clears RCMD[4:0].																					
RESET	2200[3]	0	0	W	When set, writes a one to WF_RSTBIT and then causes a reset.																					
RFLY_DIS	210C[3]	0	0	R/W	Controls how the IC drives the power pulse for the 71M6x01. When set, the power pulse is driven high and low. When cleared, it is driven high followed by an open circuit fly-back interval.																					
RMT_E	2709[3]	0	0	R/W	Enables the remote digital isolation interface, which transforms the IBP-IBN pins into a digital balanced differential pair. Thus, enabling these pins to interface to the 71M6x01 isolated sensor.																					
RMT_RD[15:8] RMT_RD[7:0]	2602[7:0] 2603[7:0]	0	0	R	Response from remote read request.																					
RTC_FAIL	2890[4]	0	0	R/W	Indicates that a count error has occurred in the RTC and that the time is not trustworthy. This bit can be cleared by writing a 0.																					
RTC_RD	2890[6]	0	0	R/W	Freezes the RTC shadow register so it is suitable for MPU reads. When RTC_RD is read, it returns the status of the shadow register: 0 = up to date, 1 = frozen.																					
RTC_SBSC[7:0]	2892[7:0]	–	–	R	Time remaining until the next 1 second boundary. LSB = 1/256 second.																					
RTC_TMIN[5:0]	289E[5:0]	0	–	R/W	The target minutes register. See RTC_THR below.																					
RTC_THR[4:0]	289F[4:0]	0	–	R/W	The target hours register. The RTC_T interrupt occurs when RTC_MIN becomes equal to RTC_TMIN and RTC_HR becomes equal to RTC_THR.																					
RTC_WR	2890[7]	0	0	R/W	Freezes the RTC shadow register so it is suitable for MPU writes. When RTC_WR is cleared, the contents of the shadow register are written to the RTC counter on the next RTC clock (~500 Hz). When RTC_WR is read, it returns 1 as long as RTC_WR is set. It continues to return one until the RTC counter actually updates.																					
RTC_SEC[5:0] RTC_MIN[5:0] RTC_HR[4:0] RTC_DAY[2:0] RTC_DATE[4:0] RTC_MO[3:0] RTC_YR[7:0]	2893[5:0] 2894[5:0] 2895[4:0] 2896[2:0] 2897[4:0] 2898[3:0] 2899[7:0]	– – – – – – –	– – – – – – –	R/W	The RTC interface registers. These are the year, month, day, hour, minute and second parameters for the RTC. The RTC is set by writing to these registers. Year 00 and all others divisible by 4 are defined as a leap year.  <table style="margin-left: 20px;"> <tr><td>SEC</td><td>00 to 59</td><td></td></tr> <tr><td>MIN</td><td>00 to 59</td><td></td></tr> <tr><td>HR</td><td>00 to 23</td><td>(00 = Midnight)</td></tr> <tr><td>DAY</td><td>01 to 07</td><td>(01 = Sunday)</td></tr> <tr><td>DATE</td><td>01 to 31</td><td></td></tr> <tr><td>MO</td><td>01 to 12</td><td></td></tr> <tr><td>YR</td><td>00 to 99</td><td></td></tr> </table> Each write operation to one of these registers must be preceded by a write to 0x20A0.	SEC	00 to 59		MIN	00 to 59		HR	00 to 23	(00 = Midnight)	DAY	01 to 07	(01 = Sunday)	DATE	01 to 31		MO	01 to 12		YR	00 to 99	
SEC	00 to 59																									
MIN	00 to 59																									
HR	00 to 23	(00 = Midnight)																								
DAY	01 to 07	(01 = Sunday)																								
DATE	01 to 31																									
MO	01 to 12																									
YR	00 to 99																									
RTCA_ADJ[6:0]	2504[7:0]	40	–	R/W	Analog RTC frequency adjust register.																					
RTM_E	2106[1]	0	0	R/W	Real Time Monitor enable. When 0, the RTM output is low.																					
RTM0[9:8] RTM0[7:0] RTM1[7:0] RTM2[7:0] RTM3[7:0]	210D[1:0] 210E[7:0] 210F[7:0] 2110[7:0] 2111[7:0]	0 0 0 0 0	0 0 0 0 0	R/W	Four RTM probes. Before each CE code pass, the values of these registers are serially output on the RTM pin. The RTM registers are ignored when RTM_E = 0. Note that RTM0 is 10 bits wide. The others assume the upper two bits are 00.																					

**Table 13. I/O RAM Locations in Alphabetical Order (continued)**

NAME	LOCATION	RST	WK	DIR	DESCRIPTION								
SBASE:[10:0]	2519[2:0] 251A[7:0]	0	0	R/W	Base temperature for limit checking								
SECURE	SFR B2[6]	0	0	R/W	Inhibits erasure of page 0 and flash addresses above the beginning of CE code as defined by CE_LCTN[6:0] (71M6541GT/42GT) or CE_LCTN[5:0] (71M6541DT/41FT/42FT). Also inhibits the read of flash via the SPI and ICE port.								
SFILT	251D[3:0]	0	0	R/W	Filter variable for wake on temperature extremes.								
SLEEP	28B2[7]	0	0	W	Puts the part to SLP mode. Ignored if system power is present. The part wakes when the Wake timer expires, when push button is pushed, or when system power returns.								
SLOT_EXT[3:0]	2112[3:0]	0	0	R/S	If non-zero, will extend the duration of time slot zero by up to 15 extra crystal cycles. The ADC result for time slot zero will be left-shifted nine bits if SLOT_EXT=0 and four bits if SLOT_EXT≠0.								
SMAX[6:0]	251B[6:0]	0	0	R/W	Maximum temperature for limit checking								
SMIN[6:0]	251C[6:0]	0	0	R/W	Minimum temperature for limit checking								
SPI_CMD[7:0]	SFR FD[7:0]	–	–	R	SPI command register for the 8-bit command from the bus master.								
SPI_E	270C[4]	1	1	R/W	SPI port enable. Enables SPI interface on pins SEGDI036 – SEGDI039. Requires that LCD_MAP[36-39] = 0.								
SPI_SAFE	270C[3]	0	0	R/W	Limits SPI writes to SPI_CMD and a 16-byte region in DRAM. No other writes are permitted.								
SPI_STAT[7:0]	2708[7:0]	0	0	R	SPI_STAT contains the status results from the previous SPI transaction. Bit 7: Ready error: The 71M654xT was not ready to read or write as directed by the previous command. Bit 6: Read data parity: This bit is the parity of all bytes read from the 71M654xT in the previous command. Does not include the SPI_STAT byte. Bit 5: Write data parity: This bit is the overall parity of the bytes written to the 71M654xT in the previous command. It includes CMD and ADDR bytes. Bit 4-2: Bottom 3 bits of the byte count. Does not include ADDR and CMD bytes. One, two, and three byte instructions return 111. Bit 1: SPI FLASH mode: This bit is zero when the TEST pin is zero. Bit 0: SPI FLASH mode ready: Used in SPI FLASH mode. Indicates that the flash is ready to receive another write instruction.								
STEMP[15:0]	2881[7:0] 2882[7:0]	–	–	R	The result of the temperature measurement.								
SUM_SAMPS[12:8] SUM_SAMPS[7:0]	2107[4:0] 2108[7:0]	0	0	R/W	The number of multiplexer cycles per XFER_BUSY interrupt. Maximum value is 8191 cycles.								
TC_A[9:0]	2508[1:0] 2509[7:0]	0	0	R/W	Temperature compensation factor for quadratic compensation.								
TC_B[11:0]	250A[3:0] 205B[7:0]	0	0	R/W	Temperature compensation factor for quadratic compensation.								
TC_C[11:0]	289C[3:0] 289D[7:0]	0	0	R/W	Temperature compensation factor for quadratic compensation.								
TEMP_22[12:8] TEMP_22[7:0]	230A[4:0] 230B[7:0]	0	–	R	Storage location for STEMP at 22NC. STEMP is an 11-bit word.								
TEMP_BAT	28A0[4]	0	–	R/W	Causes V <sub>BAT</sub> to be measured whenever a temperature measurement is performed.								
TEMP_BSEL	28A0[7]	0	–	R/W	Selects which battery is monitored by the temperature sensor: 1 = V <sub>BAT</sub> , 0 = V <sub>BAT_RTC</sub>								
TBYTE_BUSY	28A0[3]	0	0	R	Indicates that hardware is still writing the 0x28A0 byte. Additional writes to this byte will be locked out while it is one. Write duration could be as long as 6ms.								
TEMP_PER[2:0]	28A0[2:0]	0	–	R/W	Sets the period between temperature measurements. Automatic measurements can be enabled in any mode (MSN, BRN, LCD, or SLP). TEMP_PER = 0 disables automatic temperature updates, in which case TEMP_START may be used by the MPU to initiate a one-shot temperature measurement. <table border="1"> <thead> <tr> <th>TEMP_PER</th> <th>Time (seconds)</th> </tr> </thead> <tbody> <tr> <td>0</td> <td>No temperature updates</td> </tr> <tr> <td>1-6</td> <td>2<sup>(3+TEMP_PER)</sup></td> </tr> <tr> <td>7</td> <td>Continuous updates</td> </tr> </tbody> </table> In automatic mode, TEMP_START is the indicator for the temperature sensor status: TEMP_START = 1 (temperature sensor is busy, cannot measure temperature) TEMP_START = 0 (temperature sensor is idle, can measure temperature)	TEMP_PER	Time (seconds)	0	No temperature updates	1-6	2 <sup>(3+TEMP_PER)</sup>	7	Continuous updates
TEMP_PER	Time (seconds)												
0	No temperature updates												
1-6	2 <sup>(3+TEMP_PER)</sup>												
7	Continuous updates												



**Table 13. I/O RAM Locations in Alphabetical Order (continued)**

NAME	LOCATION	RST	WK	DIR	DESCRIPTION	
TEMP_PWR	28A0[6]	0	–	R/W	Selects the power source for the temp sensor: 1 = $V_{V3P3D}$ , 0 = $V_{BAT\_RTC}$ . This bit is ignored in SLP and LCD modes, where the temp sensor is always powered by $V_{BAT\_RTC}$ .	
TEMP_START	28B4[6]	0	0	R/W	When TEMP_PER = 0 automatic temperature measurements are disabled, and TEMP_START may be set by the MPU to initiate a one-shot temperature measurement. In automatic mode, TEMP_START is the indicator for the temperature sensor status: TEMP_START = 1 (temperature sensor is busy, cannot measure temperature) TEMP_START = 0 (temperature sensor is idle, can measure temperature) TEMP_START is ignored in SLP and LCD modes. Hardware clears TEMP_START when the temperature measurement is complete.	
TMUX[5:0]	2502[5:0]	–	–	R/W	Selects one of 32 signals for TMUXOUT.	
TMUX2[4:0]	2503[4:0]	–	–	R/W	Selects one of 32 signals for TMUX2OUT.	
TMUXRA[2:0]	270A[2:0]	000	000	R/W	The TMUX setting for the remote isolated sensor (71M6x01).	
UMUX_SEL	2456[4]	0	0	R/W	Selects UART1 IO pins. Selects OPT_TX and OPT_RX when 0. Selects SEGDI017 and SEGDI016 when 1. If UMUX_SEL = 0, SEGDI017 and SEGDI016 are standard DIO pins, reflecting the value LCD_SEGDI016[5:0] and LCD_SEGDI017[5:0].	
VREF_CAL	2704[7]	0	0	R/W	Brings the ADC reference voltage out to the $V_{REF}$ pin. This feature is disabled when VREF_DIS=1.	
VREF_DIS	2704[6]	0	1	R/W	Disables the internal ADC voltage reference.	
VSTAT[2:0]	SFR F9[2:0]	–	–	R	This word describes the source of power and the status of $V_{DD}$ .	
					000	System Power OK. $V_{V3P3A} > 3.0v$ . Analog modules are functional and accurate. [V3AOK,V3OK] = 11
VSTAT[2:0]					001	System Power Low. $2.8v < V_{V3P3A} < 3.0v$ . Analog modules not accurate. Switchover to battery power is imminent. [V3AOK,V3OK] = 01
					010	Battery power and $V_{DD}$ OK. $V_{DD} > 2.25v$ . Full digital functionality. [V3AOK,V3OK] = 00, [VDDOK,VDDgt2] = 11
					011	Battery power and $V_{DD} > 2.0$ . Flash writes are inhibited. If the TRIMVDD[5] fuse is blown, PLL_FAST (I/O RAM 0x2200[4]) is cleared. [V3AOK,V3OK] = 00, [VDDOK,VDDgt2] = 01
VSTAT[2:0]					101	Battery power and $V_{DD} < 2.0$ . When VSTAT=101, processor is nearly out of voltage. Processor failure is imminent. [V3AOK,V3OK] = 00, [VDDOK,VDDgt2] = 00
WAKE_ARM	28B2[5]	0	–	R/W	Arms the WAKE timer and loads it with WAKE_TMR[7:0]. When SLEEP or LCD_ONLY is asserted by the MPU, the WAKE timer becomes active.	
WAKE_TMR[7:0]	2880[7:0]	0	–	R/W	Timer duration is WAKE_TMR+1 seconds.	
WD_RST	28B4[7]	0	0	W	Reset the WD timer. The WD is reset when a 1 is written to this bit. Writing a one clears and restarts the watch dog timer.	
WF_DIO4	28B1[2]	0	–	R	DIO4 wake flag bit. If DIO4 is configured to wake the part, this bit is set whenever the de-bounced version of DIO4 rises. It is held in reset if DIO4 is not configured for wakeup.	
WF_DIO52	28B1[1]	0	–	R	DIO52 wake flag bit. If DIO52 is configured to wake the part, this bit is set whenever the de-bounced version of DIO52 rises. It is held in reset if DIO52 is not configured for wakeup.	
WF_DIO55	28B1[0]	0	–	R	DIO55 wake flag bit. If DIO55 is configured to wake the part, this bit is set whenever the de-bounced version of DIO55 rises. It is held in reset if DIO55 is not configured for wakeup.	
WF_TEMP	28B1[6]	0	–	R	Indicates that the temperature range check hardware caused the part to wake up.	
WAKE_ARM	28B2[5]	0	–	R/W	Arms the WAKE timer and loads it with WAKE_TMR[7:0]. When SLEEP or LCD_ONLY is asserted by the MPU, the WAKE timer becomes active.	
WF_PB	28B1[3]	0	–	R	Indicates that the PB caused the part to wake.	
WF_RX	28B1[4]	0	–	R	Indicates that RX caused the part to wake.	
WF_CSTART	28B0[7]	0	–	R	Indicates that the Reset pin, Reset bit, ERST pin, Watchdog timer, the cold start detector, or bad $V_{BAT}$ caused the part to reset.	
WF_RST	28B0[6]	1				
WF_RSTBIT	28B0[5]	0				
WF_OVF	28B0[4]	0				
WF_ERST	28B0[3]	0				
WF_BADVDD	28B0[2]	0				

### Reading the Info Page

Information useful for calibrating the temperature sensor and other functions is available in trim fuses. The trim fuse values provided in the 71M654xT devices cannot be directly accessed through the I/O RAM space. They reside in a special area termed the Info Page. The MPU gains access to the Info Page by setting the INFO\_PG (I/O RAM 0x270B[0]) control bit. Once this bit is set, Info Page contents are accessible in program memory space starting at the address specified by the contents of CE\_LCTN[6:0] (71M654xGT) or CE\_LCTN[5:0] (71M654xFT) (I/O RAM 0x2109[6:0] for 71M654xGT or 0x2109[5:0] for 71M654xFT). These pointers specify a base address at a 1KB address boundary which is at 1024 x CE\_LCTN[6:0] (71M654xGT) or CE\_LCTN[5:0] (71M654xFT). [Table 14](#) provides a list of the available trim fuses and their corresponding offsets relative to the Info Page base address. After reading the desired Info Page information, the MPU must reset the INFO\_PG bit. The code below provides an example for reading Info Page fuse trims. In this code example, the address, px is a pointer to the MPU's code space. In assembly language, the Info Page data objects, which are read-only, must be accessed with the MOVC 8051 instruction. In the C language, Info Page trim fuses must be fetched with a pointer of the correct width, depending on the format of the trim fuse (8-bit or a 16-bit data object). The case statements in the code example below perform casts to obtain a pointer of the correct size for each object, as needed.

In assembly language, the MPU has to form 11-bit or 16-bit values from two separate 8-bit fetches, depending on the object being fetched. The byte values containing less than 8 valid bits are LSB justified. For example Info Page offset 0x90 is an 8-bit object, whose three LSBs are

bits [10:8] of the complete TEMP\_85[10:0] 11-bit object. The Info Page data objects are 2's complement format and should be sign extended when read into a 16-bit data type (see case \_TEMP85 in the code example).

```
#if HIGH_PRECISION_METER
int16_t read_trim (enum eTRIMSEL
select) {
    uint8r_t *px;
    int16_t x;
    px = ((uint16_t)select) +
    ((uint8r_t *) (CE3 << 10));
    switch (select)
    {
    default:
    case _TRIMBGD:
        INFO_PG = 1;
        x = *px;
        INFO_PG = 0;
        break;
    case _TRIMBGB:
        INFO_PG = 1;
        x = *(uint16r_t*)px;
        INFO_PG = 0;
        break;
    case _TEMP85:
        INFO_PG = 1;
        x = *(uint16r_t*)px;
        INFO_PG = 0;
        if (x & 0x800) x |= 0xF800;
        break;
    }
    return (x); }
#endif // #if HIGH_PRECISION_METER
```

**Table 14. Info Page Trim Fuses**

REGISTER NAME	DEFINITION	LOCATION	ADDRESS	FORMAT	TYPICAL VALUE
STEMP_T85_P	STEMP at +85C	Info Block	0xAA, 0xAB	16 bits, signed	4400
STEMP_T22_P	STEMP at +22C	Info Block	0x8A, 0x8B	13 bits, unsigned	3600
T85_P	Probe temperature at +85C	Info Block	0xA6, 0xA7	16 bits signed	605
T22_P	Probe temperature at +22C	Info Block	0x9A	8 bits signed	35
STEMP	Temperature sensor	I/O RAM	0x2882, 0x2882	11 bits, sign extended	

## Meter Calibration

Once the 71M654xT energy meter device has been installed in a meter system, it must be calibrated. A complete calibration includes:

- Establishment of the reference temperature (typically 22°C).
- Calibration of the metrology section: calibration for tolerances of the current sensors, voltage dividers and signal conditioning components as well as of the internal reference voltage ( $V_{REF}$ ) at the reference temperature.
- Calibration of the oscillator frequency using RTCA\_ADJ[7:0].

The metrology section can be calibrated using the gain and phase adjustment factors accessible to the CE. The gain adjustment is used to compensate for tolerances of components used for signal conditioning, especially the resistive components. Phase adjustment is provided to compensate for phase shifts introduced by the current sensors or by the effects of reactive power supplies.

Due to the flexibility of the MPU firmware, any calibration method, such as calibration based on energy, or current and voltage can be implemented. It is also possible to implement segment-wise calibration (depending on current range).

The 71M6541DT/FT/GT and 71M6542FT/GT support common industry standard calibration techniques, such as single-point (energy-only), multipoint (energy,  $V_{RMS}$ ,  $I_{RMS}$ ), and autocalibration.

Contact Maxim Integrated to obtain a copy of the latest calibration spreadsheet file for the 71M654xT.

## Firmware Interface

### Overview: Functional Order

The I/O RAM locations at addresses 0x2000 to 0x20FF have sequential addresses to facilitate reading by the MPU. These I/O RAM locations are usually modified only at power-up. These addresses are an alternative sequential address to subsequent addresses (above 0x2100). For instance, EQU[2:0] can be accessed at I/O RAM 0x2000[7:5] or at I/O RAM 0x2106[7:5].

Unimplemented (U) and reserved (R) bits are shaded in light gray. Unimplemented bits are identified with a 'U'. Unimplemented bits have no memory storage, writing them has no effect, and reading them always returns zero.

Reserved bits are identified with an 'R', and must always be written with a zero. Writing values other than zero to

reserved bits may have undesirable side effects and must be avoided.

Nonvolatile bits are shaded in dark gray. Nonvolatile bits are backed up during power failures if the system includes a battery connected to the  $V_{BAT}$  pin.

### I/O RAM Map: Details

Writable bits are written by the MPU into configuration RAM. Typically, they are initially stored in flash memory and copied to the configuration RAM by the MPU. Some of the more frequently programmed bits are mapped to the MPU SFR memory space. The remaining bits are mapped to the address space 0x2XXX. The RST and WK columns describe the bit values upon reset and wake, respectively. No entry in one of these columns means the bit is either read-only or is powered by the NV supply and is not initialized. Write-only bits return zero when they are read.

Locations that are shaded in grey are nonvolatile (i.e., battery-backed).

## CE Interface Description

### CE Program

The CE performs the precision computations necessary to accurately measure energy. These computations include offset cancellation, phase compensation, product smoothing, product summation, frequency detection, VAR calculation, sag detection and voltage phase measurement.

The CE program is supplied by Maxim Integrated as a data image that can be merged with the MPU operational code for meter applications. Typically, the CE program provided with the demonstration code covers most applications and does not need to be modified. Other variations of CE code are available. Contact your local Maxim Integrated representative to obtain the appropriate CE code required for a specific application.

### CE Data Format

All CE words are 4 bytes. Unless specified otherwise, they are in 32-bit two's complement format

(-1 = 0xFFFFFFFF). Calibration parameters are defined in flash memory (or external EEPROM) and must be copied to CE data memory by the MPU before enabling the CE. Internal variables are used in internal CE calculations. Input variables allow the MPU to control the behavior of the CE code. Output variables are outputs of the CE calculations. The corresponding MPU address for the most significant byte is given by  $0x0000 + 4 \times CE\_address$  and by  $0x0003 + 4 \times CE\_address$  for the least significant byte.

**Constants**

- Sampling Frequency: 2520.62Hz.
- $F_0$ : Frequency of the mains phases (typically 50Hz or 60Hz).
- IMAX: RMS current corresponding to 250mV peak (176.8 mVRMS) at the inputs IA and IB. IMAX needs to be adjusted if the preamplifier is activated for the IAP-IAN inputs. For a  $250\mu\Omega$  shunt resistor, IMAX becomes 707A (176.8 mVRMS/250FI = 707.2ARMS).
- VMAX: RMS voltage corresponding to 250mV peak at the VA and VB inputs.
- $N_{ACC}$ : Accumulation count for energy measurements is SUM\_SAMPS[12:0]. The duration of the accumulation interval for energy measurements is SUM\_SAMPS[12:0]/ $F_S$ .
- X: Gain constant of the pulse generators. Its value is determined by PULSE\_FAST and PULSE\_SLOW.
- Voltage LSB (for sag threshold) = VMAX x 7.8798 x $10^{-9}$  V.

The system constants IMAX and VMAX are used by the MPU to convert internal digital quantities (as used by the CE) to external, i.e., metering quantities. Their values are determined by the scaling of the voltage and current sensors used in an actual meter.

**Environment**

Before starting the CE using the CE\_E bit (I/O RAM 0x2106[0]), the MPU has to establish the proper environment for the CE by implementing the following steps:

- Locate the CE code in flash memory using CE\_LCTN[5:0] (71M6541DT/41FT/42FT) or CE\_LCTN[6:0] (71M6541GT/42GT).
- Load the CE data into RAM.
- Establish the equation to be applied in EQU[2:0].
- Establish the number of samples per accumulation period in SUM\_SAMPS[12:0].
- Establish the number of cycles per ADC multiplexer frame (MUX\_DIV[3:0]).
- Apply proper values to MUXn\_SEL, as well as proper selections for DIFFn\_E and RMT\_E in order to configure the analog inputs.
- Initialize any MPU interrupts, such as CE\_BUSY, XFER\_BUSY, or the power failure detection interrupt.
- VMAX = 600V, IMAX = 707A, and kH = 1Wh/pulse are assumed as default settings

When different CE codes are used, a different set of environment parameters need to be established. The exact values for these parameters are listed in the Application Notes and other documentation which accompanies the CE code.

The CE details described in this data sheet should be considered typical and may not, in aggregate, be indicative of any particular CE code. Contact your Maxim Integrated representative for details about available standard CE codes.

**CE Calculations**

The MPU selects the basic configuration for the CE by setting the EQU variable.

**CE Input Data**

Data from the AFE is placed into CE memory by hardware at ADC0-ADC3 and ADC9 and ADC10. [Table 16](#) describes the process.

**CE Status and Control**

The CESTATUS register (0x80) contains bits that reflect the status of the signals that are applied to the CE. CECONFIG (0x20) contains bits that control basic operation of the compute engine.

The CE code supports registers to establish the sag threshold and gain for each of the input channels. When the input RMS voltage level falls below an established level, a warning is posted to the MPU. This level is called the sag threshold, and it is set in the SAG\_THR register.

Gain for each channel is adjusted in the GAIN\_ADJ0 (voltage), GAIN\_ADJ1 (current channel A) and GAIN\_ADJ2 (current channel B).

**Transfer Variables**

After each pass through CE program code, the CE asserts a XFER\_BUSY interrupt. This informs the MPU that new data is available. It is the responsibility of MPU code to retrieve the data from the CE in a timely manner.

**Pulse Generation**

WRATE (CE RAM 0x21) along with the PULSE\_SLOW and PULSE\_FAST bits control the number of pulses that are generated per measured Wh and VARh quantities. The pulse rate is proportional to the WRATE value for a given energy. The meter constant Kh is derived from WRATE as the amount of energy measured for each pulse. That is, if Kh = 1Wh/pulse, a power applied to the meter of 120 V and 30 A results in one pulse per second; if the load is 240 V at 150 A, ten pulses per second are generated.

Normally, the CE takes the values from W0SUM\_X and VAR0SUM\_X and moves them to APULSEW and APULSER, respectively. Then, pulse generation logic in the CE creates the actual pulses. However, the MPU can take direct control of the pulse generation process by setting EXT\_PULSE = 1. In this case, the MPU sets the pulse rate by directly loading APULSEW and APULSER.

Note that since creep management is an MPU function, when the CE manages pulse output (EXT\_PULSE = 0) creep management is disabled.

The maximum pulse rate is  $3 \times F_S = 7.56\text{kHz}$ .

The maximum time jitter is 1/6 of the multiplexer cycle period (nominally 67µs) and is independent of the number of pulses measured. Thus, if the pulse generator is monitored for one second, the peak jitter is 67ppm. After 10 seconds, the peak jitter is 6.7ppm. The average jit-

ter is always zero. If it is attempted to drive either pulse generator faster than its maximum rate, it simply outputs at its maximum rate without exhibiting any rollover characteristics. The actual pulse rate, using WSUM as an example, is:

$$\text{RATE} = \frac{\text{WRATE} \cdot \text{WSUM} \cdot F_S \cdot X}{2^{46}} \text{Hz}$$

where  $F_S$  = sampling frequency (2520.6 Hz), X = Pulse speed factor derived from the CE variables PULSE\_SLOW and PULSE\_FAST.

### CE Flow Diagrams

Figure 24, Figure 25, and Figure 26 show the data flow through the CE in simplified form. Functions not shown include delay compensation, sag detection, scaling, and the processing of meter equations.

## CE Flow Diagrams

Table 15. Power Equations

EQU	Watt & VAR Formula (WSUM/VARSUM)	Inputs Used for Energy/Current Calculation			
		W0SUM/ VAR0SUM	W1SUM/ VAR1SUM	I0SQ SUM	I1SQ SUM
0	VA IA - 1 element, 2W 1φ	VA x IA	VA x IB	IA	–
1	VA x (IA-IB)/2 - 1 element, 3W 1φ	VA x (IA-IB)/2	–	IA-IB	IB
2†	VA x IA + VB x IB - 2 element, 3W 3φ Delta	VA x IA	VB x IB	IA	IB

†71M6542FT/GT only.

Table 16. CE Raw Data Access Locations

ADC LOCATION	PIN	MUX_SEL HANDLE				CE RAM LOCATION			
		DIFFA_E		DIFFB_E		DIFFA_E		DIFFB_E	
		0	1			0	1		
ADC0	IAP	0	0			0	0		
ADC1	IAP	1				1			
		RMT_E, DIFFB_E				RMT_E, DIFFB_E			
		0,0	0,1	1,0	1,1	0,0	0,1	1,0	1,1
ADC2	IBP	2	2	–	–	2	2	2*	2*
ADC3	IBN	3				3			
		There are no configuration bits for ADC9, 10							
ADC9	VB†	9				9			
ADC10	VA	10				10			

\*Remote interface data.

†71M6542FT/GT only.

**Table 17. CE Status Register**

CESTATUS bit	Name	Description
31:4	Not Used	These unused bits are always zero.
3	F0	F0 is a square wave at the exact fundamental input frequency.
2	Not Used	This unused bit is always zero.
1	SAG_B	Normally zero. Becomes one when VB remains below SAG_THR for SAG_CNT samples. Does not return to zero until VB rises above SAG_THR.
0	SAG_A	Normally zero. Becomes one when VA remains below SAG_THR for SAG_CNT samples. Does not return to zero until VA rises above SAG_THR.

**Table 18. CE Configuration Register**

CECONFIG BIT	NAME	DEFAULT	DESCRIPTION		
22	EXT_TEMP	0	When 1, the MPU controls temperature compensation via the GAIN_ADJn registers (CE RAM 0x40-0x42), when 0, the CE is in control.		
21	EDGE_INT	1	When 1, XPULSE produces a pulse for each zero-crossing of the mains phase selected by FREQSEL[1:0], which can be used to interrupt the MPU.		
20	SAG_INT	1	When 1, activates YPULSE output when a sag condition is detected.		
19:8	SAG_CNT	252 (0xFC)	The number of consecutive voltage samples below SAG_THR (CE RAM 0x24) before a sag alarm is declared. The default value is equivalent to 100 ms.		
7:6	FREQSEL[1:0]	0	FREQSEL[1:0] selects the phase to be used for the frequency monitor, sag detection, and for the zero crossing counter (MAINEDGE_X).		
			<b>FREQ SEL[1:0]</b>		<b>Phase Selected</b>
			0	0	A
			0	1	B*
			1	X	Not allowed
*71M6542FT/GT only					
5	EXT_PULSE	1	When zero, causes the pulse generators to respond to internal data (WPULSE = WSUM_X, VPULSE = VARSUM_X). Otherwise, the generators respond to values the MPU places in APULSEW and APULSER.		
4:2	Reserved	0	Reserved.		
1	PULSE_FAST	0	When PULSE_FAST = 1, the pulse generator input is increased 16x. When PULSE_SLOW = 1, the pulse generator input is reduced by a factor of 64. These two parameters control the pulse gain factor X (see table below). Allowed values are either 1 or 0. Default is 0 for both (X = 6).		
0	PULSE_SLOW	0	<b>PULSE_FAST</b>	<b>PULSE_SLOW</b>	<b>X</b>
			0	0	$1.5 \times 2^2 = 6$
			1	0	$1.5 \times 2^6 = 96$
			0	1	$1.5 \times 2^{-4} = 0.09375$
			1	1	Do not use

**Table 19. Sag Threshold and Gain Adjustment Registers**

CE ADDRESS	NAME	DEFAULT	DESCRIPTION
0x24	SAG_THR	2.39 x 10 <sup>7</sup>	The voltage threshold for sag warnings. The default value is equivalent to 113V peak or 80 VRMS if VMAX = 600VRMS. $\text{SAG\_THR} = \frac{V_{\text{RMS}} \cdot \sqrt{2}}{V_{\text{MAX}} \cdot 7.8798 \cdot 10^{-9}}$
0x40	GAIN_ADJ0	16384	This register scales the voltage measurement channels VA and VB*. The default value of 16384 is equivalent to unity gain (1.000). *71M6542FT/GT only
0x41	GAIN_ADJ1	16384	This register scales the IA current channel for Phase A. The default value of 16384 is equivalent to unity gain (1.000).
0x42	GAIN_ADJ2	16384	This register scales the IB current channel for Phase B. The default value of 16384 is equivalent to unity gain (1.000).

**Table 20. CE Transfer Registers**

CE ADDRESS	NAME	DESCRIPTION
0x84†	WSUM_X	The signed sum: W0SUM_X+W1SUM_X. Not used for EQU[2:0] = 0 and EQU[2:0] = 1.
0x85	W0SUM_X	The sum of Wh samples from each wattmeter element. LSB = 9.4045 x 10 <sup>-13</sup> x VMAX x IMAX Wh (local)
0x86	W1SUM_X	LSB = 1.55124 x 10 <sup>-12</sup> x VMAX x IMAX Wh (remote)
0x88†	VARSUM_X	The signed sum: VAR0SUM_X+VAR1SUM_X. Not used for EQU[2:0] = 0 and EQU[2:0] = 1.
0x89	VAR0SUM_X	The sum of VARh samples from each wattmeter element. LSB = 9.4045 x 10 <sup>-13</sup> x VMAX x IMAX VARh (local)
0x8A	VAR1SUM_X	LSB = 1.55124 x 10 <sup>-12</sup> x VMAX x IMAX VARh (remote)
0x8C	I0SQSUM_X	The sum of squared current samples from each element. LSB = 9.9045 x 10 <sup>-13</sup> IMAX2 A <sup>2</sup> h (local)
0x8D	I1SQSUM_X	LSB = 2.55872 x 10 <sup>-12</sup> x IMAX2 A <sup>2</sup> h (remote) When EQU = 1, I0SQSUM_X is based on IA and IB.
0x90	V0SQSUM_X	The sum of squared voltage samples from each element. LSB= 9.4045 x 10 <sup>-13</sup> VMAX2 V <sup>2</sup> h (local)
0x91†	V1SQSUM_X	LSB= 9.40448 x 10 <sup>-13</sup> x VMAX2 V <sup>2</sup> h (remote)
0x82	FREQ_X	Fundamental frequency: $\text{LSB} \equiv \frac{2520.6\text{Hz}}{2^{32}} \approx 0.509 \cdot 10^{-6}\text{Hz (for Local)}$ $\text{LSB} \equiv \frac{2520.6\text{Hz}}{2^{32}} \approx 0.587 \cdot 10^{-6}\text{Hz (for Remote)}$
0x83	MAINEDGE_X	The number of edge crossings of the selected voltage in the previous accumulation interval. Edge crossings are either direction and are debounced.

†71M6542FT/GT only.

**Table 21. CE Pulse Generation Parameters**

CE ADDRESS	NAME	DEFAULT	DESCRIPTION
0x21	WRATE	547	$K_h = \frac{V_{MAX} \cdot I_{MAX} \cdot K}{WRATE \cdot N_{ACC} \cdot X} \cdot Wh / pulse$ <p>where:                      K = 66.1782 (Local Sensors)                      K = 109.1587 (Remote Sensor)  <math>N_{ACC} = SUM\_SAMPS[12:0]</math> (CE RAM 0x23)                      X is a factor determined by PULSE_FAST and PULSE_SLOW. See CECONFIG definition for more information                      The default value yields 1.0 Wh/pulse for <math>V_{MAX} = 600</math> V and <math>I_{MAX} = 208</math> A. The maximum value for WRATE is 32,768 (<math>2^{15}</math>).</p>
0x22	KVAR	6444	Scale factor for VAR measurement.
0x23	SUM_SAMPS	2520	SUM_SAMPS ( $N_{ACC}$ ).
0x45	APULSEW	0	Wh pulse (WPULSE) generator input to be updated by the MPU when using external pulse generation. The output pulse rate is: $APULSEW * F_S * 2^{-32} * WRATE * X * 2^{-14}$ . This input is buffered and can be updated by the MPU during a conversion interval. The change takes effect at the beginning of the next interval.
0x46	WPULSE_CTR	0	WPULSE counter.
0x47	WPULSE_FRAC	0	Unsigned numerator, containing a fraction of a pulse. The value in this register always counts up towards the next pulse.
0x48	WSUM_ACCUM	0	Roll-over accumulator for WPULSE.
0x49	APULSER	0	VARh (VPULSE) pulse generator input.
0x4A	VPULSE_CTR	0	VPULSE counter.
0x4B	VPULSE_FRAC	0	Unsigned numerator, containing a fraction of a pulse. The value in this register always counts up towards the next pulse.
0x4C	VSUM_ACCUM	0	Roll-over accumulator for VPULSE.



**Table 22. Other CE Parameters**

CE ADDRESS	NAME	DEFAULT	DESCRIPTION
0x25	QUANT_VA	0	Compensation factors for truncation and noise in voltage, current, real energy and reactive energy for phase A.
0x26	QUANT_IA	0	
0x27	QUANT_A	0	
0x28	QUANT_VARA	0	
0x29 †	QUANT_VB	0	Compensation factors for truncation and noise in voltage, current, real energy and reactive energy for phase B. † 71M6542FT/GT only.
0x2A	QUANT_IB	0	
0x2B	QUANT_B	0	
0x2C	QUANT_VARB	0	
0x38	0x43453431		CE file name identifier in ASCII format (CE41a01f). These values are overwritten as soon as the CE starts
0x39	0x6130316B		
0x3A	0x00000000		
<p>LSB weights for use with Local Sensors:  <math>QUANT_{Ix\_LSB} = 5.08656 \cdot 10^{-13} \cdot I_{MAX}^2</math> (Amps<sup>2</sup>)  <math>QUANT_{Wx\_LSB} = 1.04173 \cdot 10^{-9} \cdot V_{MAX} \cdot I_{MAX}</math> (Watts)  <math>QUANT_{VARx\_LSB} = 1.04173 \cdot 10^{-9} \cdot V_{MAX} \cdot I_{MAX}</math> (Vars)</p> <p>LSB weights for use with the 71M6x01 isolated sensors:  <math>QUANT_{Ix\_LSB} = 1.38392 \cdot 10^{-12} \cdot I_{MAX}^2</math> (Amps<sup>2</sup>)  <math>QUANT_{Wx\_LSB} = 1.71829 \cdot 10^{-9} \cdot V_{MAX} \cdot I_{MAX}</math> (Watts)  <math>QUANT_{VARx\_LSB} = 1.71829 \cdot 10^{-9} \cdot V_{MAX} \cdot I_{MAX}</math> (Vars)</p>			

**Table 23. CE Calibration Parameters**

CE ADDRESS	NAME	DEFAULT	DESCRIPTION
0x10	CAL_IA	16384	These constants control the gain of their respective channels. The nominal value for each parameter is $2^{14} = 16384$ . The gain of each channel is directly proportional to its CAL parameter. Thus, if the gain of a channel is 1% slow, CAL should be increased by 1%. Refer to the <i>71M6541 Demo Board User's Manual</i> for the equations to calculate these calibration parameters. † 71M6542FT/GT only.
0x11	CAL_VA	16384	
0x13	CAL_IB	16384	
0x14†	CAL_VB	16384	
0x12	PHADJ_A	0	These constants control the CT phase compensation. Compensation does not occur when PHADJ_X = 0. As PHADJ_X is increased, more compensation (lag) is introduced. The range is P 215 – 1. If it is desired to delay the current by the angle $\Phi$ , the equations are:  $PHADJ\_X = 2^{20} \frac{0.02229 \cdot \tan(\Phi)}{0.1487 - 0.0131 \cdot \tan(\Phi)} \text{ at } 60\text{Hz}$ $PHADJ\_X = 2^{20} \frac{0.0155 \cdot \tan(\Phi)}{0.1241 - 0.009695 \cdot \tan(\Phi)} \text{ at } 50\text{Hz}$
0x15	PHADJ_B	0	
0x12	L_COMP2_A	16384	The shunt delay compensation is obtained using the equation provided below: where:  $L\_COMP2\_X = 16384 \times \frac{\sin(2\pi f/f_S) + \tan(\theta) \times [1 - \cos(2\pi f/f_S)]}{\sin(2\pi f/f_S) + \tan(\theta) \times \cos(2\pi f/f_S)}$ $f_S = \text{ sampling frequency}$ $f = \text{ main frequency}$
0x15	L_COMP2_B	16384	

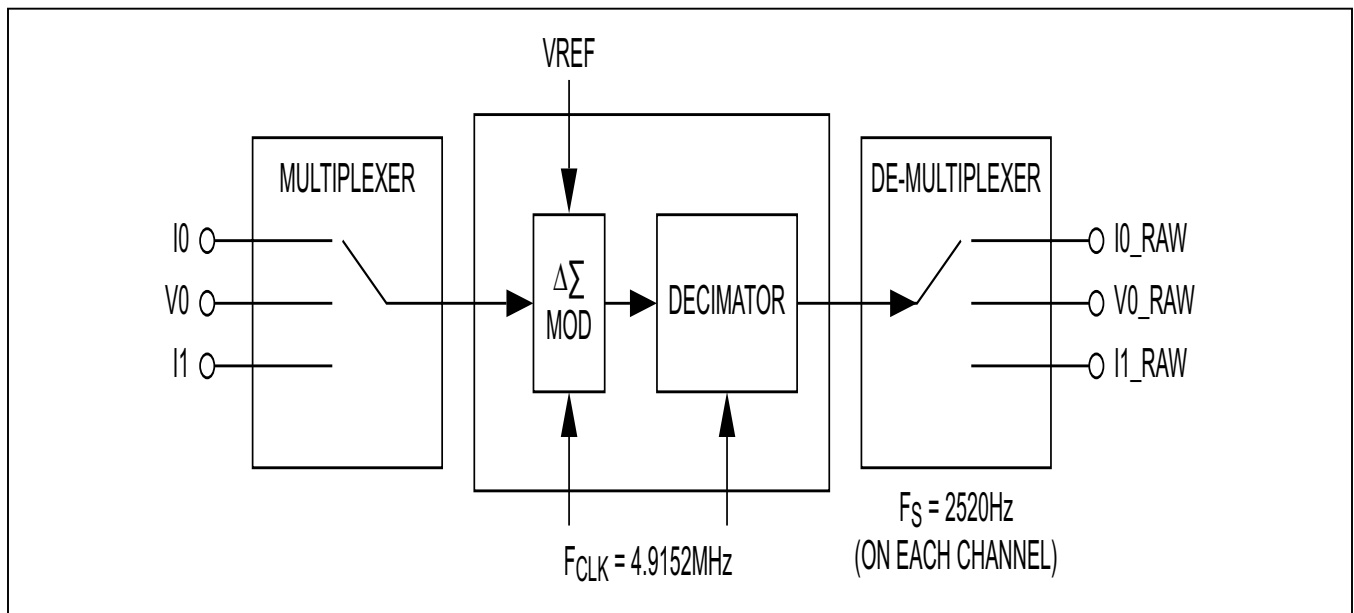


Figure 24. CE Data Flow—Multiplexer and ADC

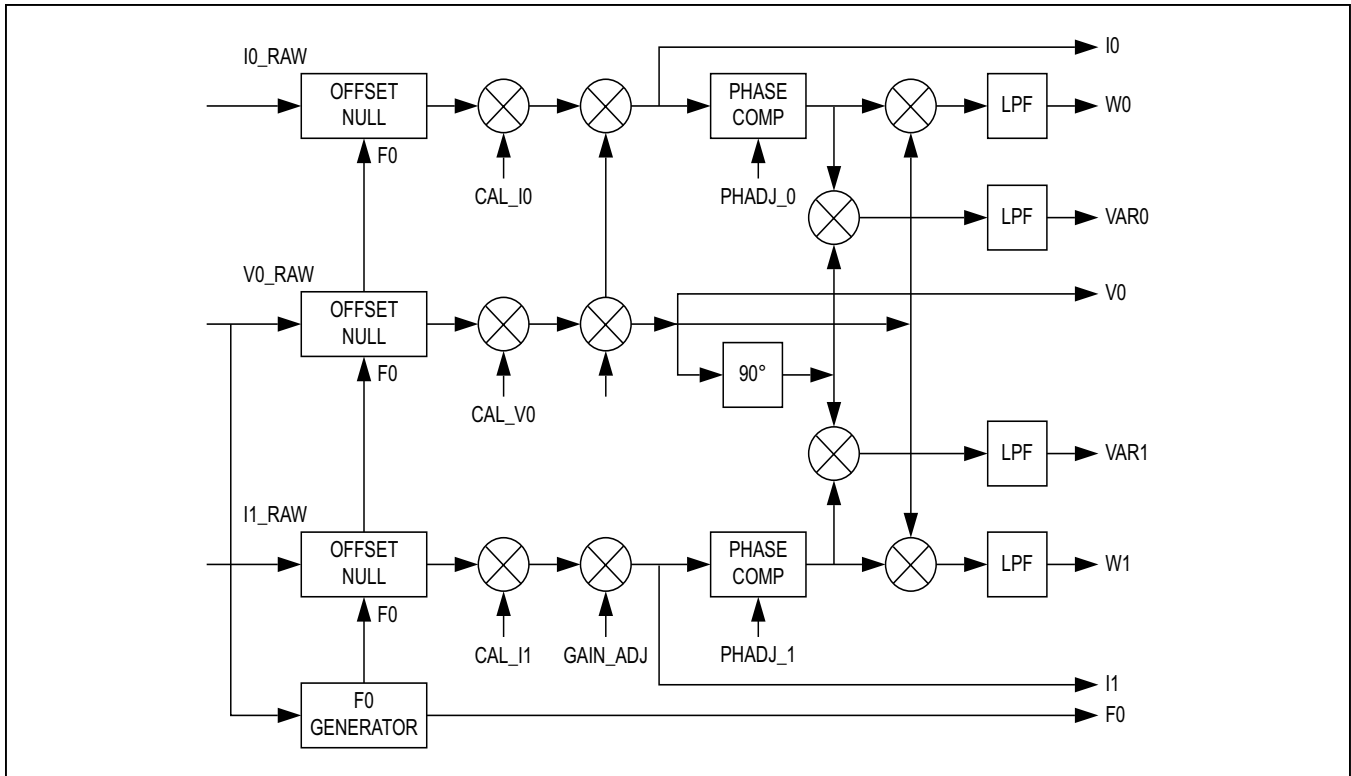


Figure 25. CE Data Flow—Offset, Gain, and Phase Compensation

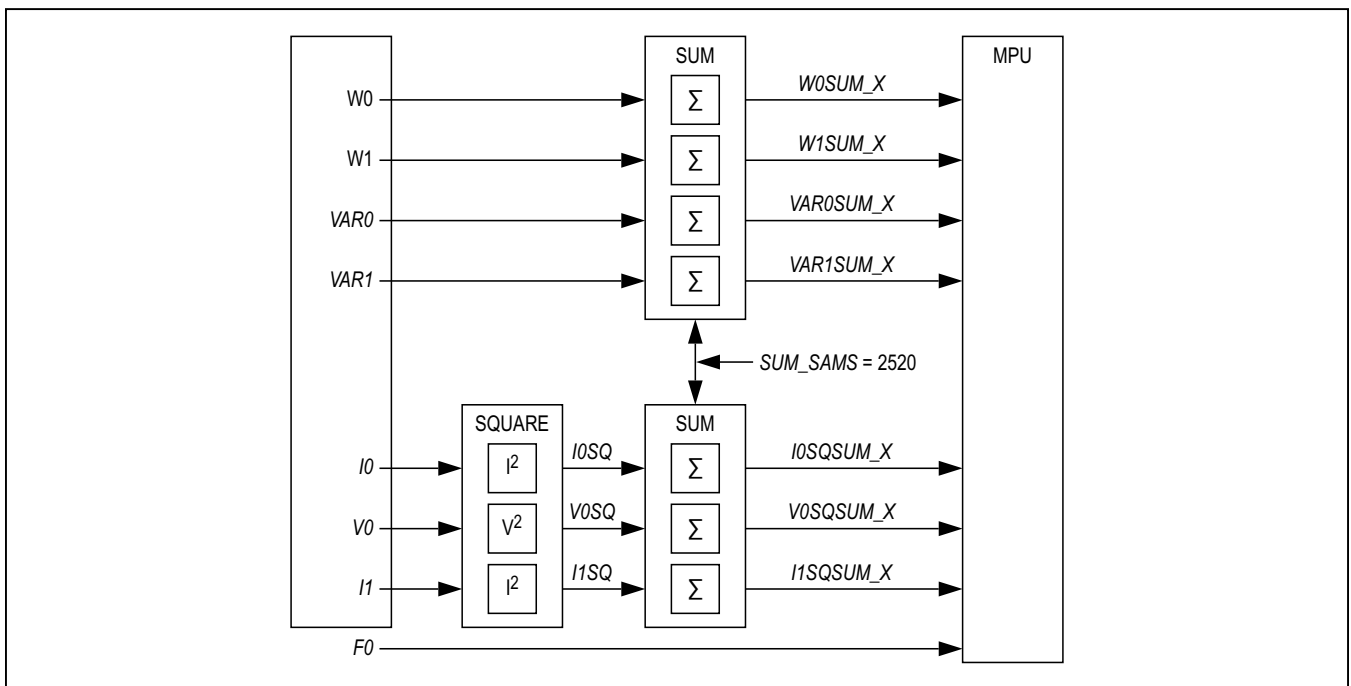


Figure 26. CE Data Flow—Squaring and Summation

## Ordering Information

PART	TEMP RANGE	ACCURACY (typ, %)	FLASH (KB)	PIN-PACKAGE
<b>71M6541DT</b> -IGT/F	-40°C to +85°C	0.1	32	64 LQFP
71M6541DT-IGTR/F	-40°C to +85°C	0.1	32	64 LQFP
<b>71M6541FT</b> -IGT/F	-40°C to +85°C	0.1	64	64 LQFP
71M6541FT-IGTR/F	-40°C to +85°C	0.1	64	64 LQFP
<b>71M6541GT</b> -IGT/F	-40°C to +85°C	0.1	128	64 LQFP
71M6541GT-IGTR/F	-40°C to +85°C	0.1	128	64 LQFP
<b>71M6542FT</b> -IGT/F	-40°C to +85°C	0.1	64	100 LQFP
71M6542FT-IGTR/F	-40°C to +85°C	0.1	64	100 LQFP
<b>71M6542GT</b> -IGT/F	-40°C to +85°C	0.1	128	100 LQFP
71M6542GT-IGTR/F	-40°C to +85°C	0.1	128	100 LQFP

*F* = Lead(Pb)-free/RoHS-compliant package.

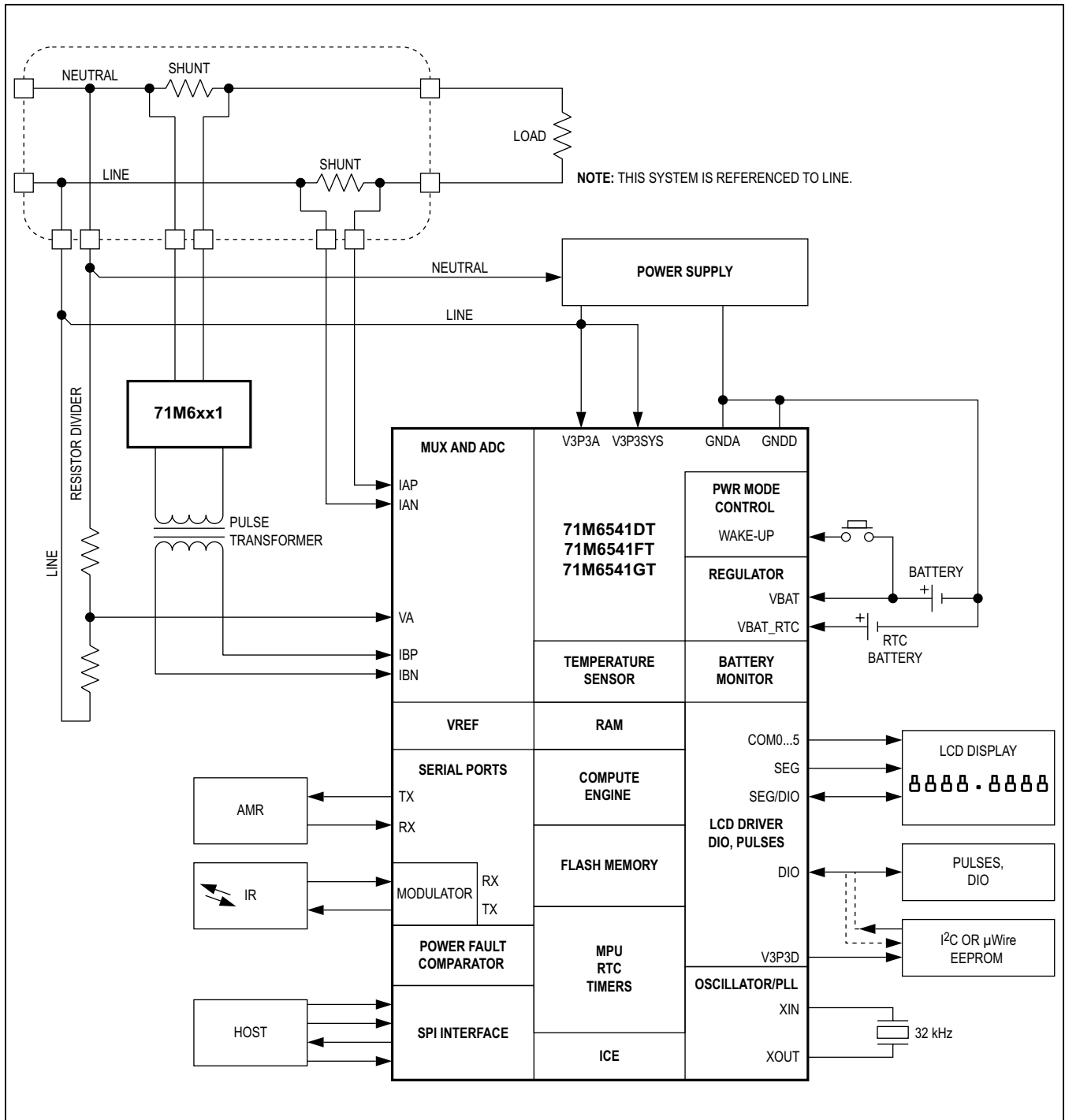
*R* = Tape and reel.

## Package Information

For the latest package outline information and land patterns (footprints), go to [www.maximintegrated.com/packages](http://www.maximintegrated.com/packages). Note that a "+", "#", or "-" in the package code indicates RoHS status only. Package drawings may show a different suffix character, but the drawing pertains to the package regardless of RoHS status.

PACKAGE TYPE	PACKAGE CODE	OUTLINE NO.	LAND PATTERN NO.
64 LQFP	C64L+7	<a href="#">21-0665</a>	<a href="#">90-0411</a>
100 LQFP	C100L+8	<a href="#">21-0684</a>	<a href="#">90-0416</a>

Typical Operating Circuit



## Revision History

REVISION NUMBER	REVISION DATE	DESCRIPTION	PAGES CHANGED
0	12/12	Initial release	—
1	8/13	Added note about limits, updated the VBAT_RTC current and flash write current specification, replaced temperature measurement equation formula, corrected parameter name in the Internal Power Fault Comparator section, added Notes 1 and 2 to the Electrical Characteristics table, updated Table 12 with definitions for STEMP_T22_P, STEMP_T85_P, T22_P, and T85_P and UMUX_SEL description, added description and specifications for 71M6541GT and 71M6542GT, added note in the <i>SPI Flash Mode</i> section about code updates, corrected part number in figures, updated Table 12 for the external interrupts, changed the single-ended inputs from four to two, updated the description of TEMP_START and TEMP_PER in Table 12, updated the description of CHIP_ID in Table 12, and added description for the <i>UARTs</i> section	1–74
2	10/13	Removed future product status on 71M6541DT and 71M6541FT in the <i>Ordering Information</i> table	72
3	12/13	Updated the CXL and CXS capacitor values from 10pF and 15pF to 22pF	12, 15
4	2/14	Updated the V <sub>REF</sub> coefficients in the <i>Electrical Characteristics</i> table; removed Note 2 from the EC notes; changed CXS and CXL notes in the <i>Recommended External Components</i> table; removed future product status on 71M6541GT in the <i>Ordering Information</i> table	8, 10, 12, 72
5	1/15	Updated the <i>Benefits and Features</i> section	1
6	12/15	Inserted Table 11 (TMUX table); updated <i>Metrology Temperature Compensation</i> section; updated I/O RAM Locations in Alphabetical Order Table; inserted new <i>Reading the Info Page</i> section and Table; updated table numbers as needed; corrected land pattern numbers	41, 49, 55 63, 64, 78

For pricing, delivery, and ordering information, please contact Maxim Direct at 1-888-629-4642, or visit Maxim's website at [www.maximintegrated.com](http://www.maximintegrated.com).

Maxim Integrated cannot assume responsibility for use of any circuitry other than circuitry entirely embodied in a Maxim Integrated product. No circuit patent licenses are implied. Maxim Integrated reserves the right to change the circuitry and specifications without notice at any time. The parametric values (min and max limits) shown in the Electrical Characteristics table are guaranteed. Other parametric values quoted in this data sheet are provided for guidance.