

# PE42426

Document Category: Product Specification

UltraCMOS® SPDT RF Switch, 5–6000 MHz



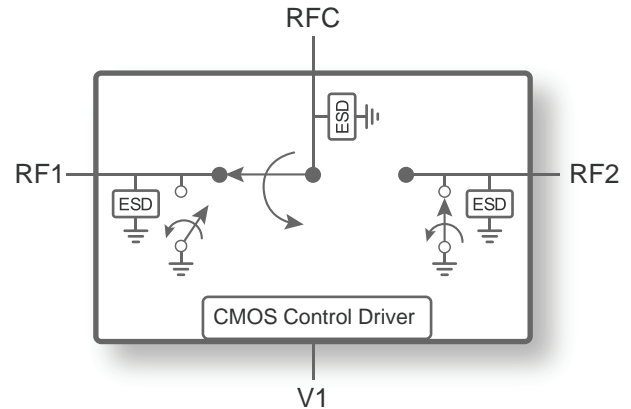
## Features

- Best in class linearity across frequency band
- Exceptional harmonics
  - 2fo of –121 dBc @ 900 MHz
  - 3fo of –135 dBc @ 900 MHz
- Low insertion loss and high isolation performance
  - Insertion loss of 0.3 dB @ 2000 MHz
- High ESD performance of 3 kV HBM
- Packaging – 12-lead 3 × 3 × 0.75 mm QFN

## Applications

- Land mobile radio (LMR)
- General switching applications

Figure 1 • PE42426 Functional Diagram



## Product Description

The PE42426 is a HaRP™ technology-enhanced reflective SPDT RF switch designed for use in land mobile radio (LMR) and general switching applications. It delivers high linearity and excellent harmonics performance across the entire operational band. It also features low insertion loss and high isolation performance making the PE42426 ideal for general switching applications.

The PE42426 is manufactured on Peregrine's UltraCMOS® process, a patented variation of silicon-on-insulator (SOI) technology on a sapphire substrate, offering the performance of GaAs with the economy and integration of conventional CMOS.

## Absolute Maximum Ratings

Exceeding absolute maximum ratings listed in **Table 1** may cause permanent damage. Operation should be restricted to the limits in **Table 2**. Operation between operating range maximum and absolute maximum for extended periods may reduce reliability.

### ESD Precautions

When handling this UltraCMOS device, observe the same precautions as with any other ESD-sensitive devices. Although this device contains circuitry to protect it from damage due to ESD, precautions should be taken to avoid exceeding the rating specified in **Table 1**.

### Latch-up Immunity

Unlike conventional CMOS devices, UltraCMOS devices are immune to latch-up.

**Table 1 • Absolute Maximum Ratings for PE42426**

Parameter/Condition	Min	Max	Unit
Supply voltage, $V_{DD}$	-0.3	5.5	V
Digital input voltage, $V_I$	-0.3	3.6	V
RF input power		39	dBm
Maximum junction temperature		+150	°C
Storage temperature range	-65	+150	°C
ESD voltage HBM <sup>(1)</sup> , all pins		3000	V
ESD voltage CDM <sup>(2)</sup> , all pins		500	V
<b>Notes:</b> 1) Human body model (MIL-STD 883 Method 3015). 2) Charged device model (JEDEC JESD22-C101).			

## Recommended Operating Conditions

**Table 2** lists the recommended operating conditions for the PE42426. Devices should not be operated outside the operating conditions listed below.

**Table 2 • Recommended Operating Conditions for PE42426**

Parameter	Min	Typ	Max	Unit
Supply voltage, $V_{DD}$	2.3	3.3	5.5	V
Supply current, $I_{DD}$		130	200	$\mu$ A
Digital input high, V1	1.17		3.6 <sup>(1)</sup>	V
Digital input low, V1	-0.3		0.6	V
RF input power, CW <sup>(2)</sup>			33	dBm
RF input power, pulse <sup>(3)</sup>			38	dBm
Operating temperature range	-40	+25	+105	$^{\circ}$ C
<b>Notes:</b> 1) Maximum digital input voltage is limited to $V_{DD}$ and cannot exceed 3.6V. 2) 100% duty cycle. 3) Pulsed, 5% duty cycle of 4620 $\mu$ s period, 50 $\Omega$ .				

## Electrical Specifications

Table 3 provides the PE42426 key electrical specifications @ +25 °C,  $V_{DD} = 3.3V$ ,  $Z_S = Z_L = 50\Omega$ , unless otherwise specified.

Table 3 • PE42426 Electrical Specifications

Parameter	Path	Condition	Min	Typ	Max	Unit
Operating frequency			5		6000	MHz
Insertion loss <sup>(1)</sup>	RFC–RFX	5–2000 MHz		0.30	0.55	dB
		2000–3000 MHz		0.35	0.65	dB
		3000–4000 MHz		0.40	0.75	dB
		4000–5000 MHz		0.40	0.75	dB
		5000–6000 MHz		0.75	1.30	dB
Isolation	All paths	5–2000 MHz	31	33		dB
		2000–3000 MHz	27	29		dB
		3000–4000 MHz	23.5	25		dB
		4000–5000 MHz	20	22		dB
		5000–6000 MHz	17	20		dB
Return loss <sup>(1)</sup>	RFC, RFX	5–2000 MHz		33		dB
		2000–3000 MHz		22		dB
		3000–4000 MHz		20		dB
		4000–5000 MHz		25		dB
		5000–6000 MHz		12		dB
2nd harmonic, 2fo	RFX	$P_{IN} = 18 \text{ dBm @ } 900 \text{ MHz, fo}$		–121		dBc
3rd harmonic, 3fo	RFX	$P_{IN} = 18 \text{ dBm @ } 900 \text{ MHz, fo}$		–135		dBc
Input IP2		$P_{IN} = 18 \text{ dBm @ } 900 \text{ MHz}$		130		dBm
Input IP3		$P_{IN} = 18 \text{ dBm @ } 900 \text{ MHz}$		83		dBm
Input 0.1dB compression point <sup>(2)</sup>		5–6000 MHz		40		dBm
Switching time		50% CTRL to 90% or 10% RF		35		$\mu\text{s}$

**Notes:**

- 1) High frequency performance can be improved by external matching.
- 2) The input 0.1dB compression point is a linearity figure of merit. Refer to Table 2 for the operating RF input power (50 $\Omega$ ).

## Switching Frequency

The PE42426 has a maximum 10 kHz switching frequency. Switching frequency describes the time duration between switching events. Switching time is the time duration between the point the control signal reached 50% of the final value and the point the output signal reaches within 10% or 90% of its target value.

## Spurious Performance

The PE42426 spur fundamental occurs around 10 MHz. Its typical performance is -154 dBm/Hz (V1 = H) and -165 dBm/Hz (V1 = L), with 100 kHz bandwidth.

## Thermal Data

Psi-JT ( $\Psi_{JT}$ ), junction top-of-package, is a thermal metric to estimate junction temperature of a device on the customer application PCB (JEDEC JESD51-2).

$$\Psi_{JT} = (T_J - T_T)/P$$

where

$\Psi_{JT}$  = junction-to-top of package characterization parameter, °C/W

$T_J$  = die junction temperature, °C

$T_T$  = package temperature (top surface, in the center), °C

P = power dissipated by device, Watts

Table 4 • Thermal Data for PE42426

Parameter	Typ	Unit
$\Psi_{JT}$	21	°C/W

## Control Logic

Table 5 provides the control logic truth table for the PE42426.

Table 5 • Truth Table for PE42426

State	V1
RFC–RF1	H
RFC–RF2	L

## Typical Performance Data

Figure 2–Figure 11 show the typical performance data @ +25 °C,  $V_{DD} = 3.3V$ ,  $Z_S = Z_L = 50\Omega$ , unless otherwise specified.

Figure 2 • Insertion Loss vs Temperature (RFC–RFX)

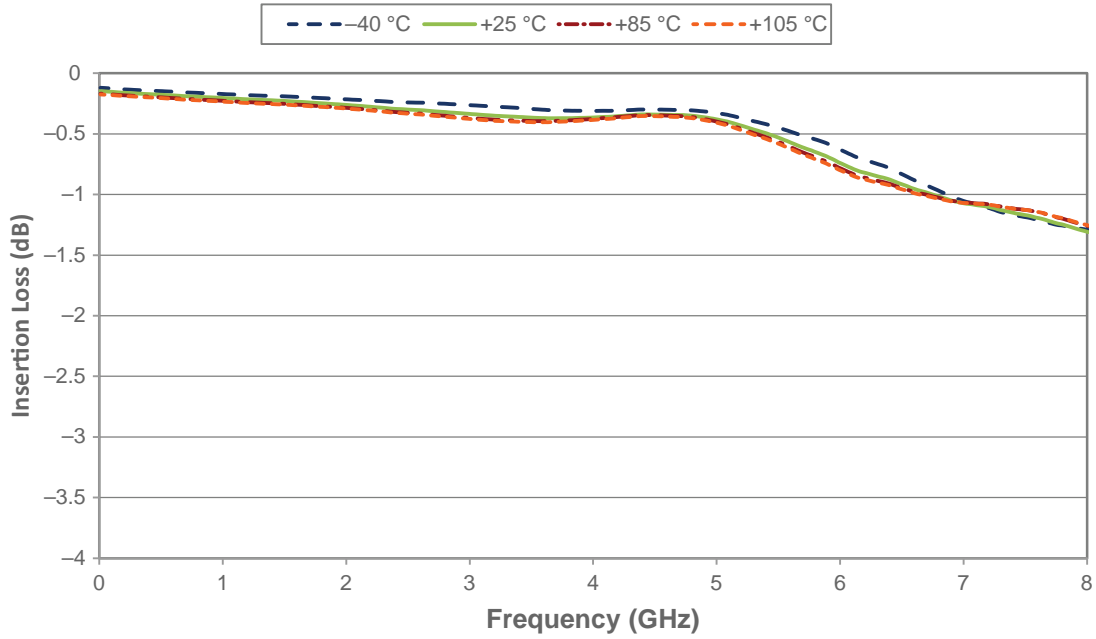


Figure 3 • Insertion Loss vs  $V_{DD}$  (RFC–RFX)

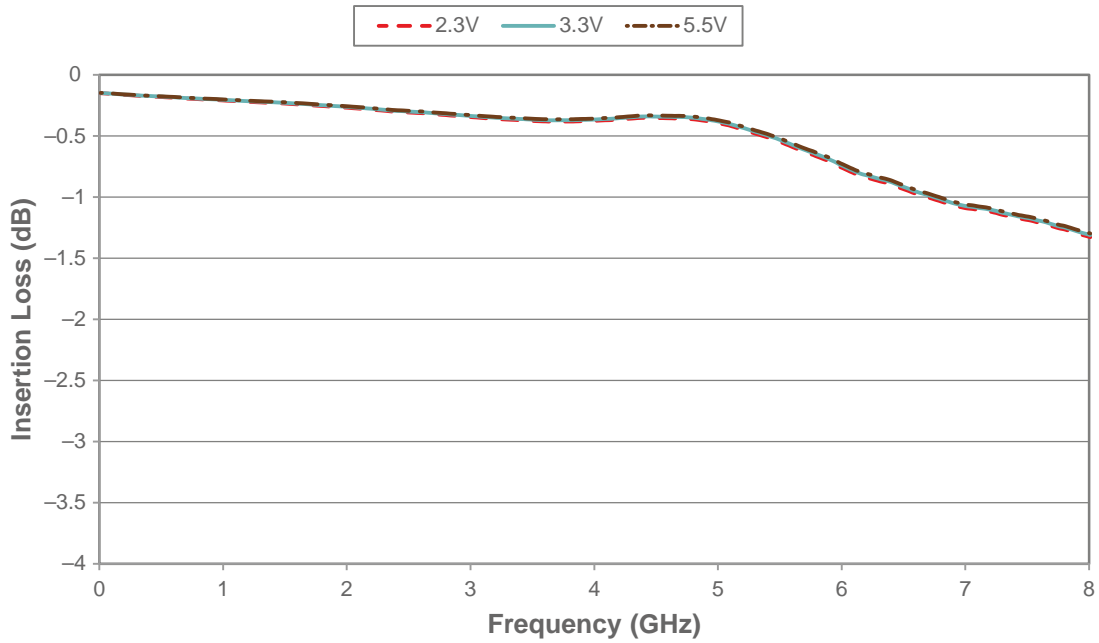


Figure 4 • RFC Port Return Loss vs Temperature

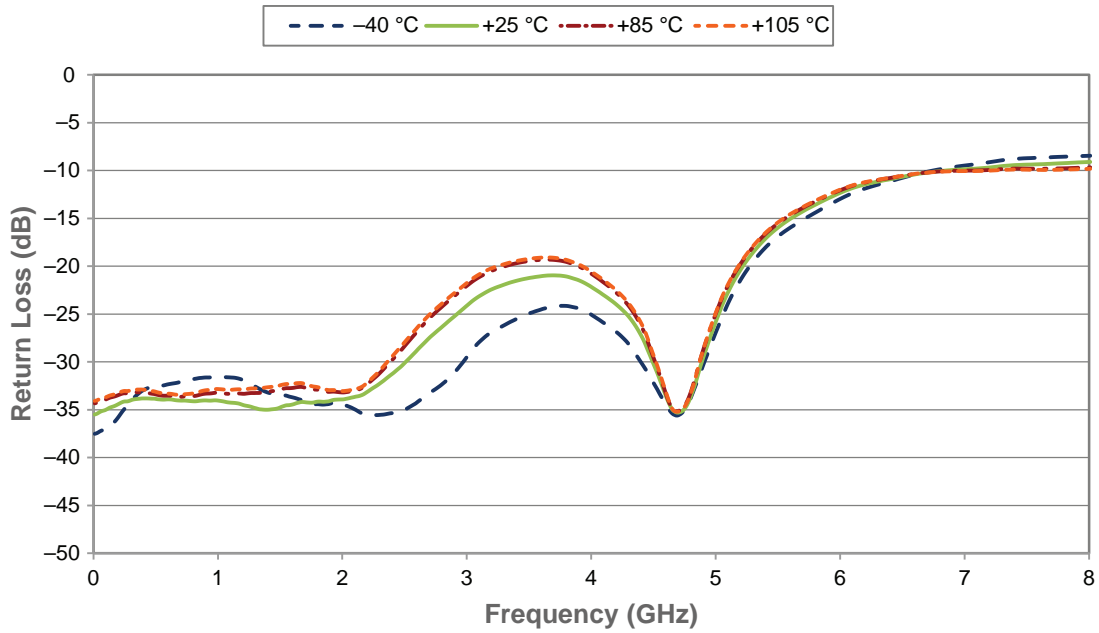


Figure 5 • RFC Port Return Loss vs  $V_{DD}$

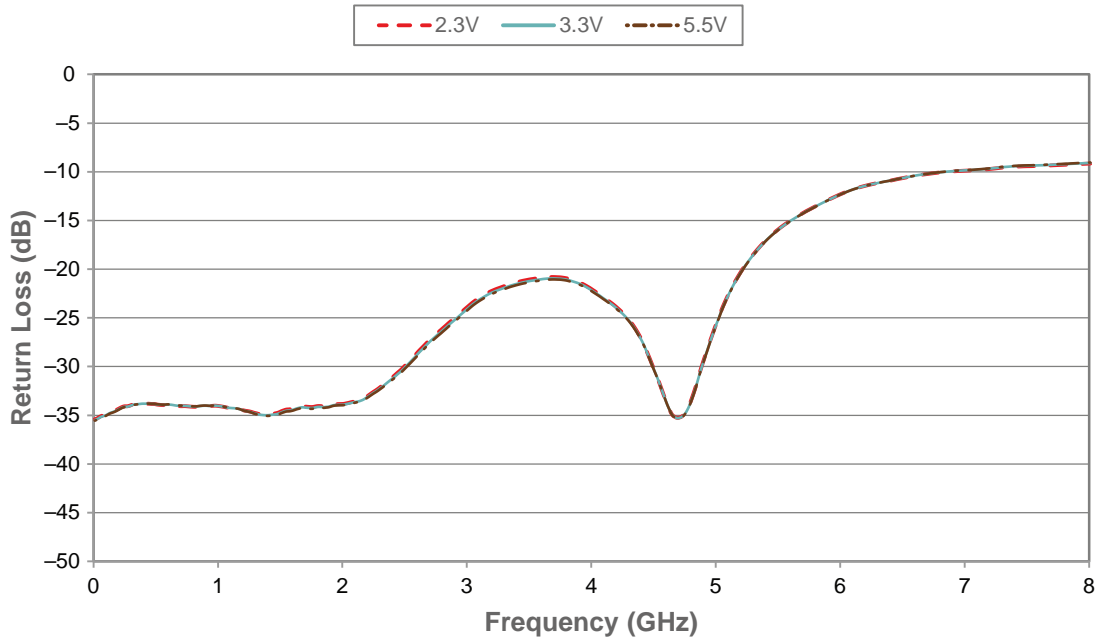


Figure 6 • Active Port Return Loss vs Temperature

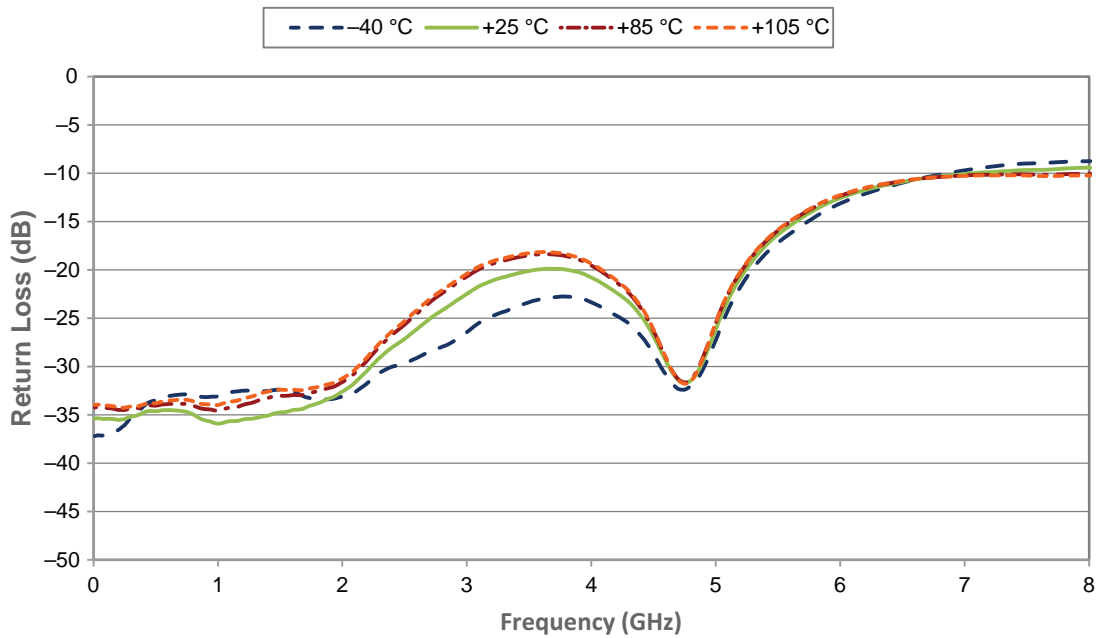




Figure 7 • Active Port Return Loss vs  $V_{DD}$

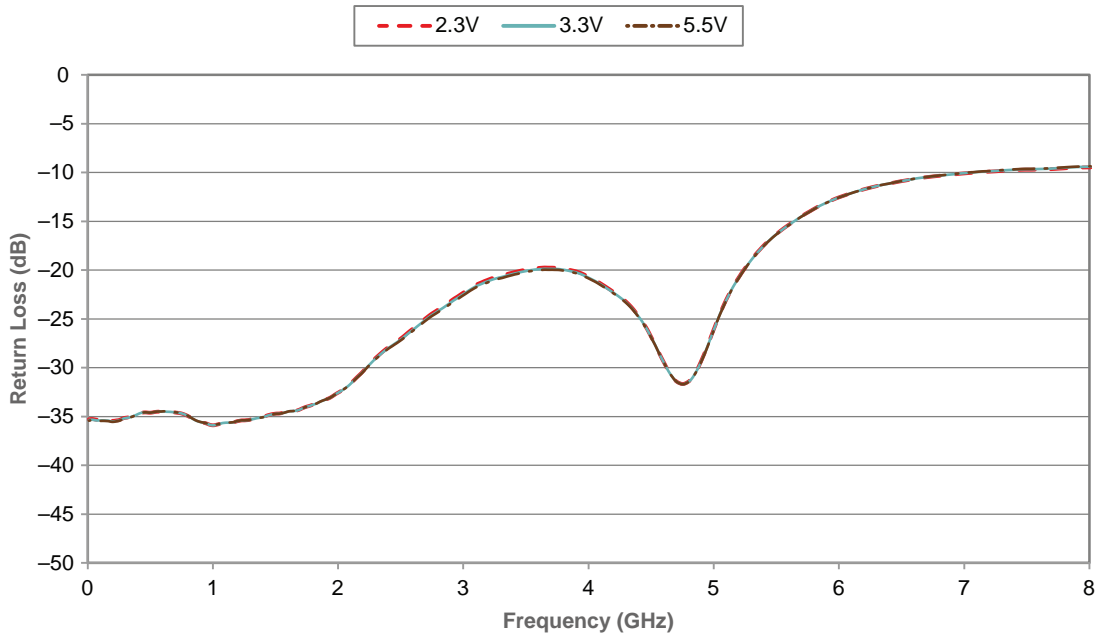


Figure 8 • Isolation vs Temperature (RFX–RFX)

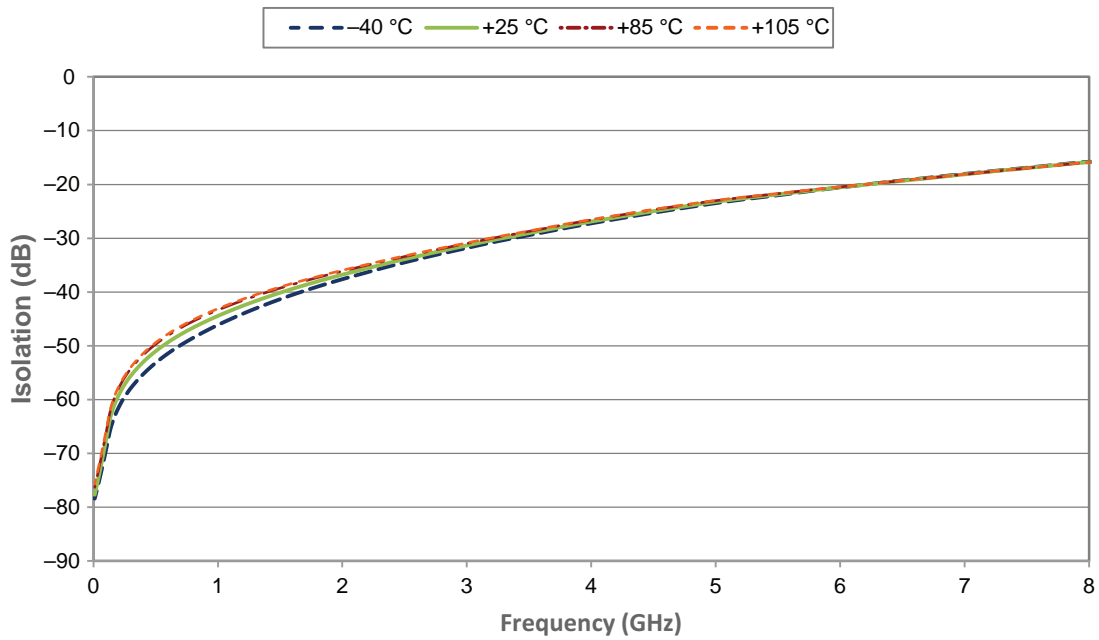


Figure 9 • Isolation vs  $V_{DD}$  (RFX–RFX)

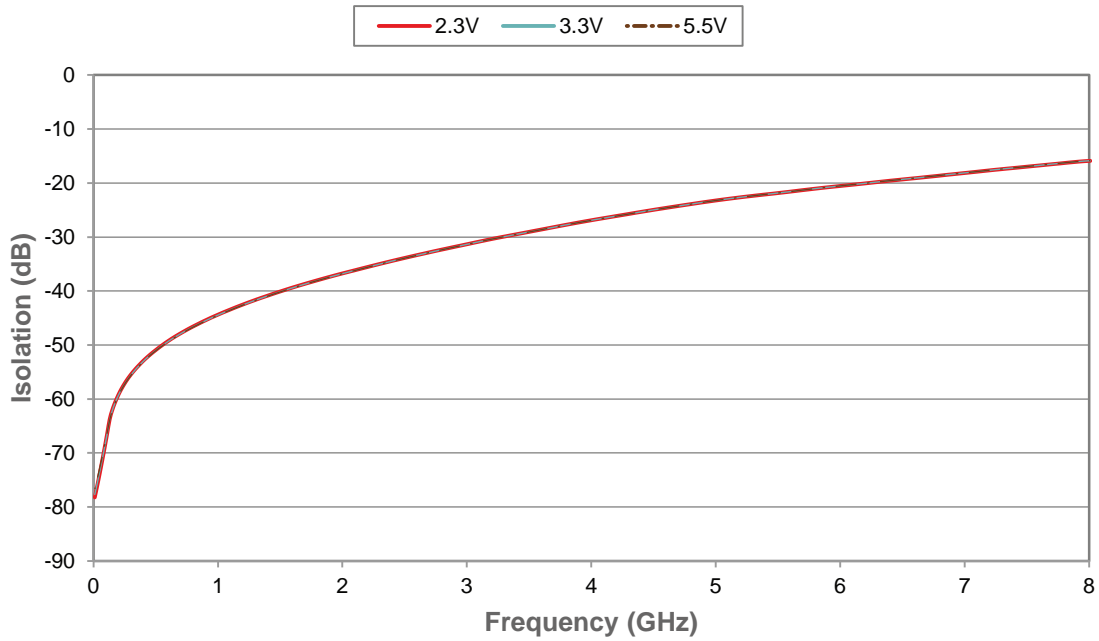


Figure 10 • Isolation vs Temperature (RFC–RFX)

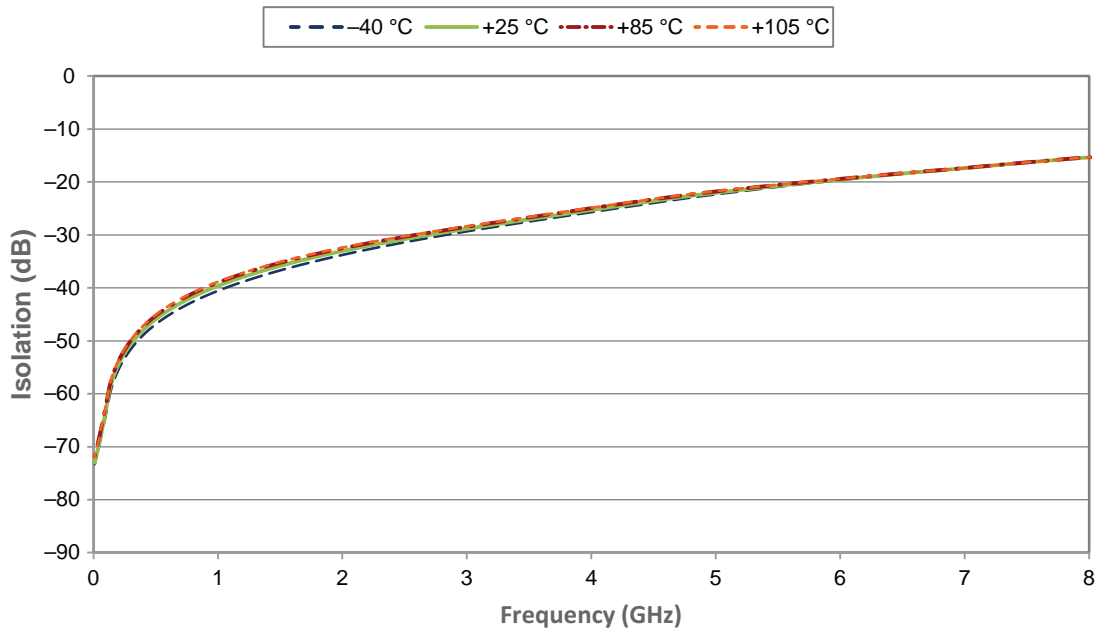


Figure 11 • Isolation vs  $V_{DD}$  (RFC–RFX)

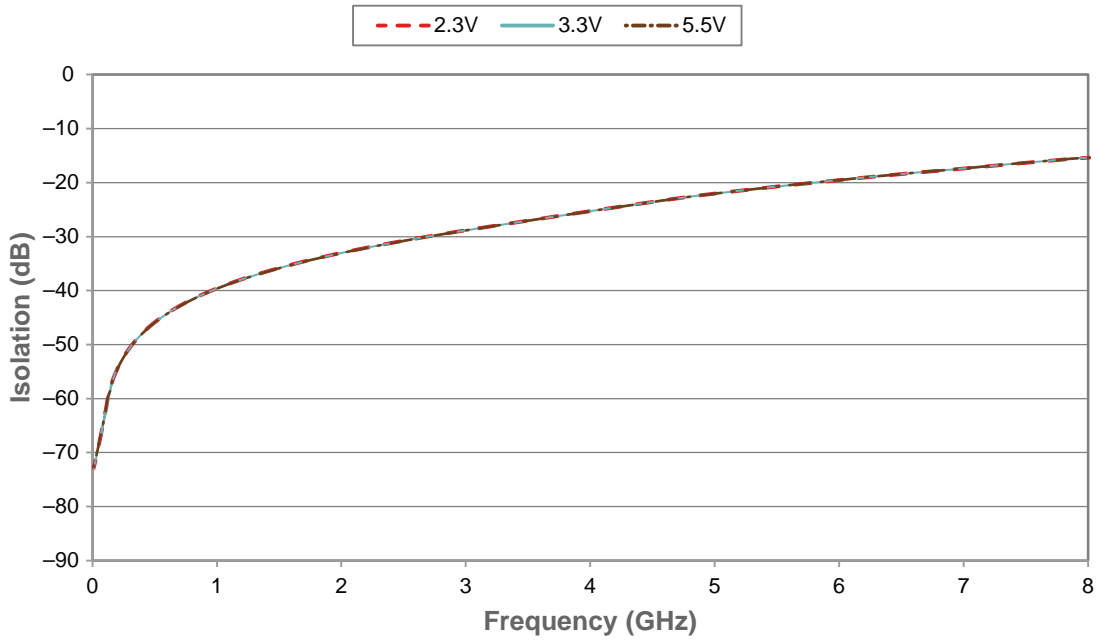


Figure 12 • IIP2 vs Frequency

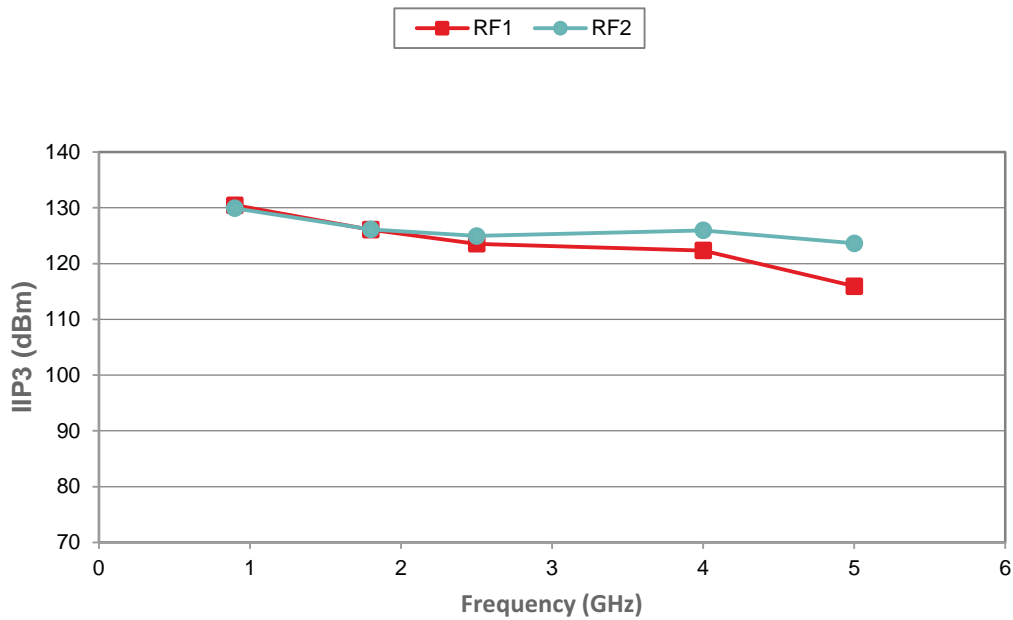
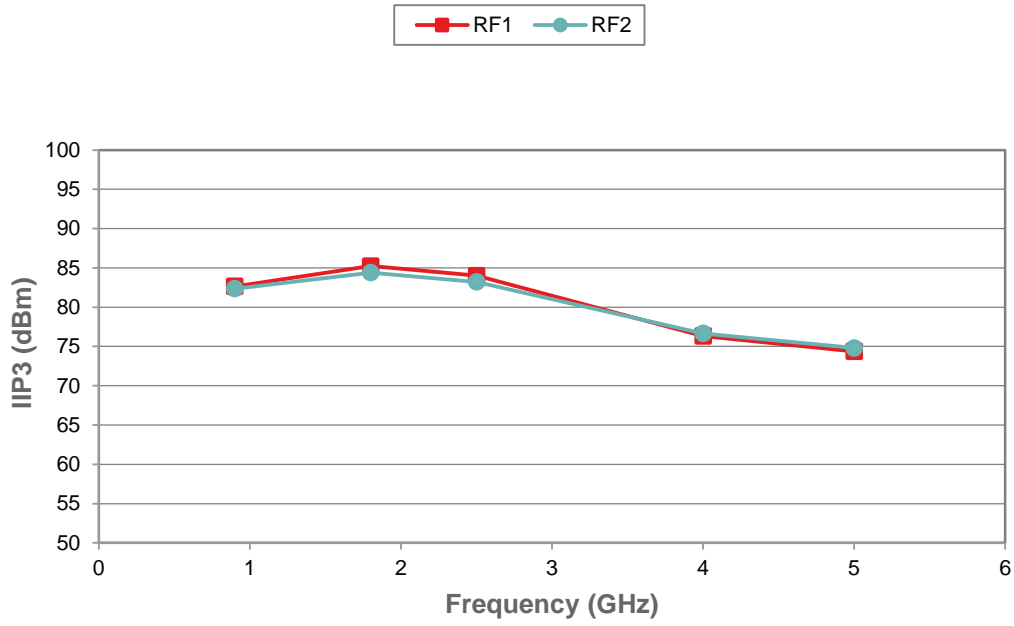


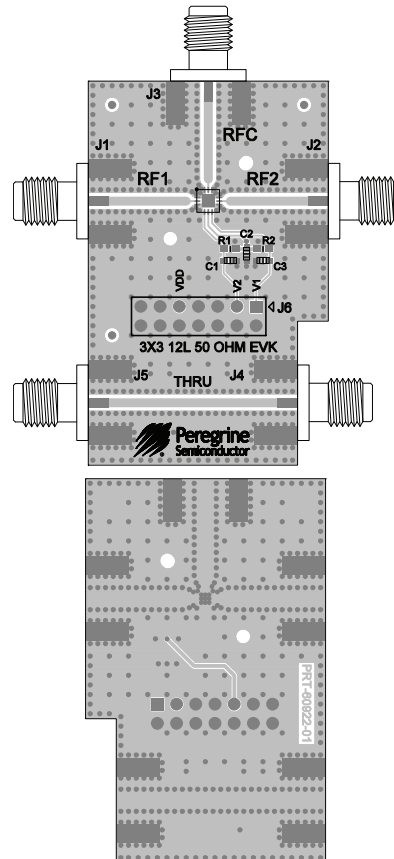
Figure 13 • IIP3 vs Frequency



## Evaluation Kit

The PE42426 evaluation board was designed to ease customer evaluation of the PE42426 RF switch. The RF common port is connected through a 50Ω transmission line via J3. RF1 and RF2 ports are connected through 50Ω transmission lines via J1 and J2, respectively. A 50Ω through transmission line is available via J4 (THRU left) and J5 (THRU right), which can be used to de-embed the loss of the PCB. J6 provides DC and digital inputs to the device.

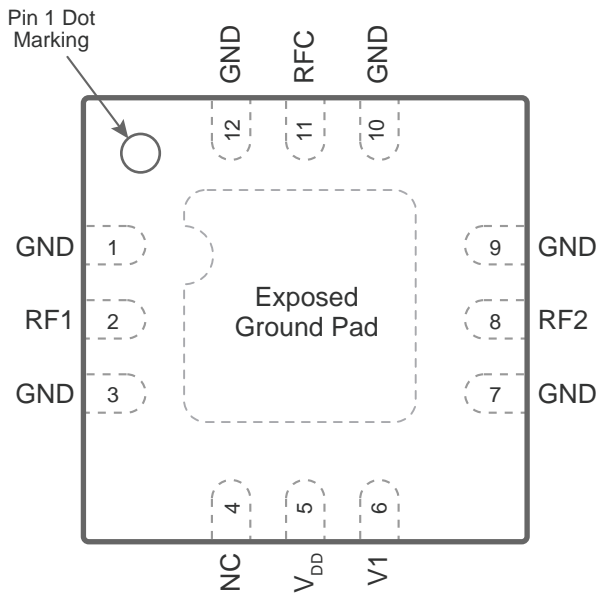
Figure 14 • Evaluation Kit Layout for PE42426



## Pin Information

This section provides pinout information for the PE42426. **Figure 15** shows the pin map of this device for the available package. **Table 6** provides a description for each pin.

**Figure 15 • Pin Configuration (Top View)**



**Table 6 • Pin Descriptions for PE42426**

Pin No.	Pin Name	Description
1, 3, 7, 9, 10, 12	GND	Ground
2	RF1 <sup>(*)</sup>	RF port 1
4	NC	Do not connect
5	V <sub>DD</sub>	Supply voltage (nominal 3.3V)
6	V1	Digital control logic input 1
8	RF2 <sup>(*)</sup>	RF port 2
11	RFC <sup>(*)</sup>	RF common
Pad	GND	Exposed pad: ground for proper operation

**Note:** \* RF pins 2, 8 and 11 must be at 0 VDC. The RF pins do not require DC blocking capacitors for proper operation if the 0 VDC requirement is met.

## Packaging Information

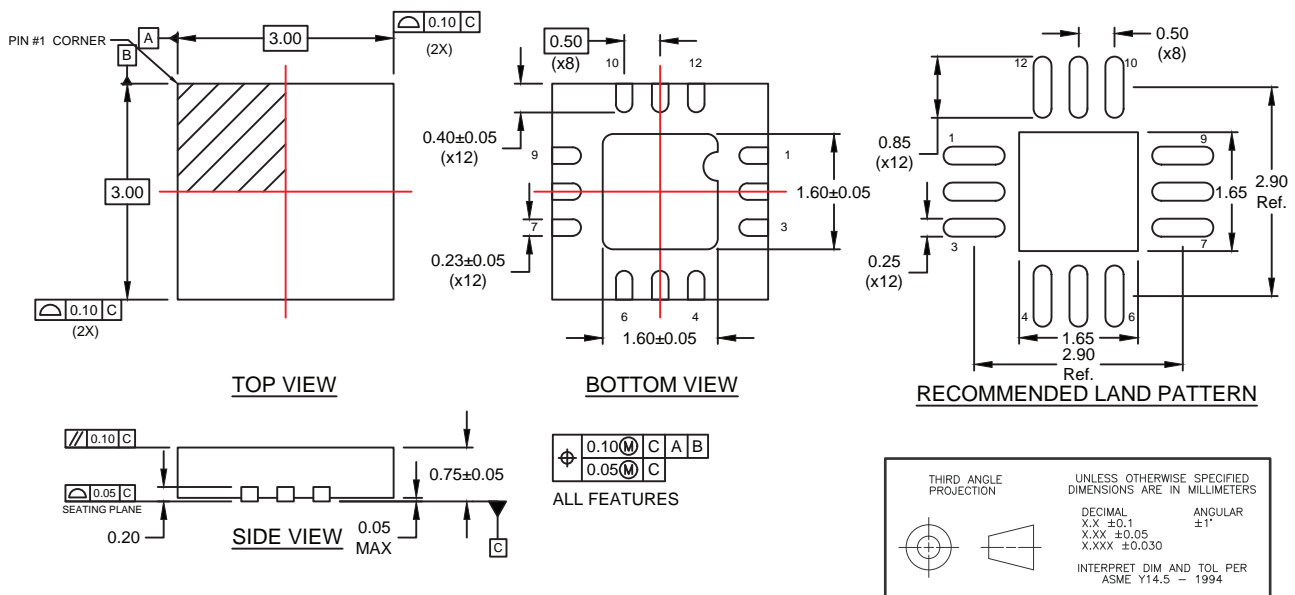
This section provides packaging data including the moisture sensitivity level, package drawing, package marking and tape-and-reel information.

### Moisture Sensitivity Level

The moisture sensitivity level rating for the PE42426 in the 12-lead 3 × 3 × 0.75 mm QFN package is MSL1.

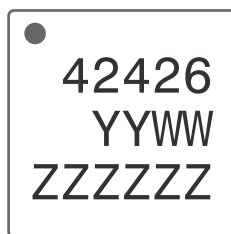
### Package Drawing

Figure 16 • Package Mechanical Drawing for 12-lead 3 × 3 × 0.75 mm QFN



### Top-Marking Specification

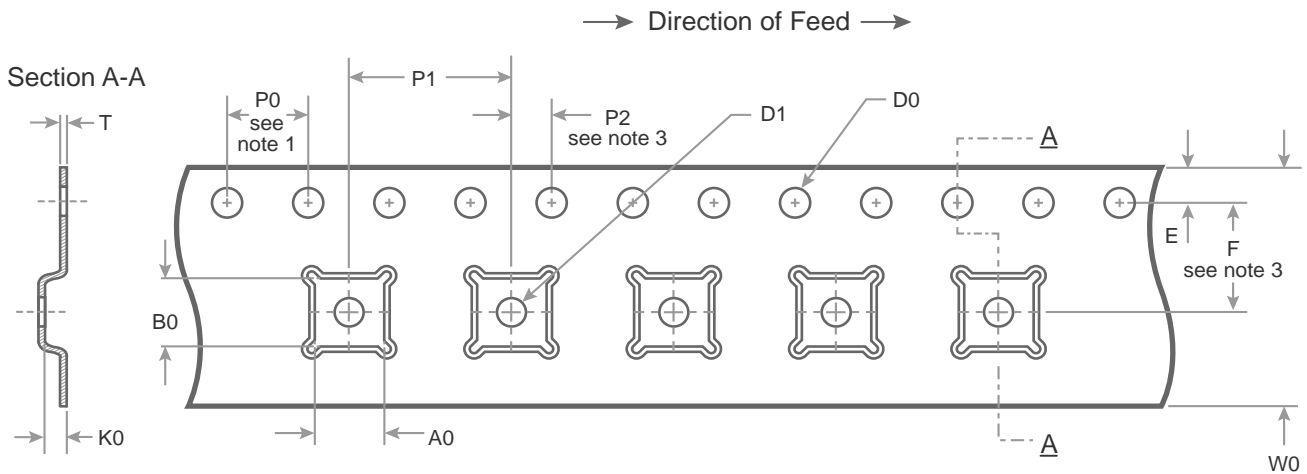
Figure 17 • Package Marking Specifications for PE42426



- = Pin 1 indicator
- YY = Last two digits of assembly year
- WW = Assembly work week
- ZZZZZZ = Assembly lot code (maximum six characters)

## Tape and Reel Specification

Figure 18 • Tape and Reel Specifications for 12-lead 3 × 3 × 0.75 mm QFN



**Notes:**

1. 10 Sprocket hole pitch cumulative tolerance  $\pm 0.2$
2. Camber in compliance with EIA 481
3. Pocket position relative to sprocket hole measured as true position of pocket, not pocket hole

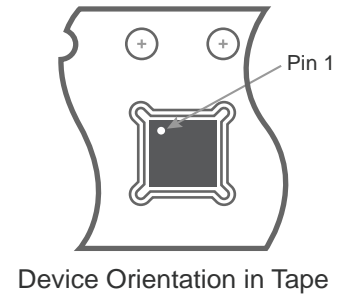
A0	3.30
B0	3.30
K0	1.10
D0	1.50 + 0.1/ -0.0
D1	1.5 min
E	1.75 $\pm$ 0.10
F	5.50 $\pm$ 0.05
P0	4.00
P1	8.00
P2	2.00 $\pm$ 0.05
T	0.30 $\pm$ 0.05
W0	12.00 $\pm$ 0.3

THIRD ANGLE PROJECTION

UNLESS OTHERWISE SPECIFIED DIMENSIONS ARE IN MILLIMETERS

DECIMAL	ANGULAR
X.X $\pm$ 0.1	$\pm 1^\circ$
X.XX $\pm$ 0.05	
X.XXX $\pm$ 0.030	

INTERPRET DIM AND TOL PER ASME Y14.5 - 1994





## Ordering Information

Table 7 lists the available ordering codes for the PE42426 as well as available shipping methods.

Table 7 • Order Codes for PE42426

Order Codes	Description	Packaging	Shipping Method
PE42426A-Z	PE42426 SPDT RF switch	12-lead 3 x 3 x 0.75 mm QFN	3000 units/T&R
EK42426-01	PE42426 Evaluation kit	Evaluation kit	1/Box

## Document Categories

### Advance Information

The product is in a formative or design stage. The datasheet contains design target specifications for product development. Specifications and features may change in any manner without notice.

### Preliminary Specification

The datasheet contains preliminary data. Additional data may be added at a later date. Peregrine reserves the right to change specifications at any time without notice in order to supply the best possible product.

### Product Specification

The datasheet contains final data. In the event Peregrine decides to change the specifications, Peregrine will notify customers of the intended changes by issuing a CNF (Customer Notification Form).

### Sales Contact

For additional information, contact Sales at sales@psemi.com.

### Disclaimers

The information in this document is believed to be reliable. However, Peregrine assumes no liability for the use of this information. Use shall be entirely at the user's own risk. No patent rights or licenses to any circuits described in this document are implied or granted to any third party. Peregrine's products are not designed or intended for use in devices or systems intended for surgical implant, or in other applications intended to support or sustain life, or in any application in which the failure of the Peregrine product could create a situation in which personal injury or death might occur. Peregrine assumes no liability for damages, including consequential or incidental damages, arising out of the use of its products in such applications.

### Patent Statement

Peregrine products are protected under one or more of the following U.S. patents: patents.psemi.com

### Copyright and Trademark

©2016, Peregrine Semiconductor Corporation. All rights reserved. The Peregrine name, logo, UTSi and UltraCMOS are registered trademarks and HaRP, MultiSwitch and DuNE are trademarks of Peregrine Semiconductor Corp.

### Product Brief

This document contains a shortened version of the datasheet. For the full datasheet, contact sales@psemi.com.

### Not Recommended for New Designs (NRND)

This product is in production but is not recommended for new designs.

### End of Life (EOL)

This product is currently going through the EOL process. It has a specific last-time buy date.

### Obsolete

This product is discontinued. Orders are no longer accepted for this product.