

# ITX-i77M0

## Intel® 3rd/ 2nd Gen. Core™ Embedded Mini-ITX Motherboard



### Features

- Support Intel® rPGA988 3rd/ 2nd Gen. Core™ Processors
- Dual Gigabit Ethernet Ports
- Support Dual Independent Displays
- Support RS-485 Auto-flow Control
- Intel® AMT8.0; RAID 0, 1, 5, 10
- USB 3.0 Supported
- **Extended Operating Temp.: -20 ~ 70°C**

### System

<b>CPU</b>	Support 3rd/ 2nd Generation Intel® Core™ i7/i5/i3 processors in rPGA988 (Socket G2)
<b>Memory</b>	2 x 204-pin DDR3 SO-DIMM sockets, supporting 1333/1600MHz SDRAM up to 16GB
<b>Chipset</b>	Intel® PCH QM77
<b>BIOS</b>	AMI BIOS
<b>Watchdog Timer</b>	1~255 levels reset

### I/O

<b>I/O Chip</b>	Fintek F71869ED
<b>Serial Port</b>	5 x RS-232 ports 1 x RS-232/422/485 selectable port w/ RS-485 auto-flow control
<b>USB Port</b>	4 x USB 3.0/2.0 compatible ports 8 x USB 2.0 ports
<b>KB/MS</b>	1 x 6-pin wafer connector for PS/2 keyboard and mouse
<b>Digital I/O</b>	1 x 16-bit programmable Digital Input/Output
<b>Expansion Bus</b>	1 x PCIe x16 slot 1 x Mini-card socket
<b>Storage</b>	2 x Serial ATA ports with 600MB/s HDD transfer rate 4 x Serial ATA ports with 300MB/s HDD transfer rate
<b>Ethernet Chipset</b>	1 x Intel® 82579LM PCIe GbE PHY w/ iAMT 1 x Intel® 82583V PCIe GbE controller
<b>Audio Interface</b>	Realtek ALC886 HD Audio Codec, Mic-in/Line-in/Line-out

### Display

<b>Graphics Chipset</b>	Integrated Intel® HD Graphics 2500 or HD Graphics 4000
<b>Graphics Interface</b>	1 x DVI-I connector, supporting either Analog RGB or DVI, resolution up to 2048 x 1536 for Analog RGB or 1920 x 1200 for TMDS Support Dual Channels 24-bit LVDS, resolution up to 1600 x 1200

### Recommended CPU List:

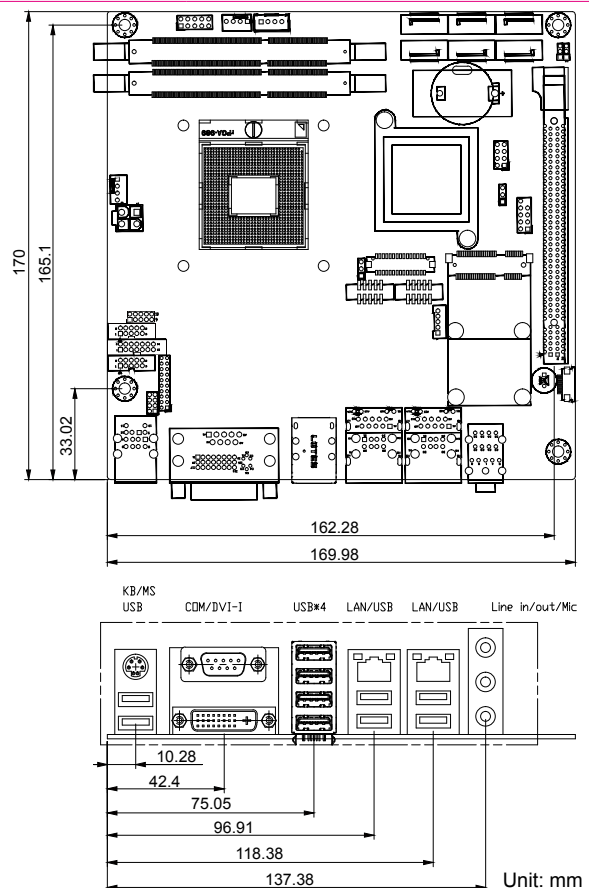
**Intel® 3rd Generation**  
i7-3610QE 2.3GHz Core™ Processor  
i5-3610ME 2.7GHz Core™ Processor  
i3-3120ME 2.4GHz Core™ Processor

**Intel® 2nd Generation**  
i7-2710QE 2.1GHz Core™ Processor  
i5-2510E 2.5GHz Core™ Processor  
i3-2330E 2.2GHz Core™ Processor  
B810 1.6GHz Celeron® Processor

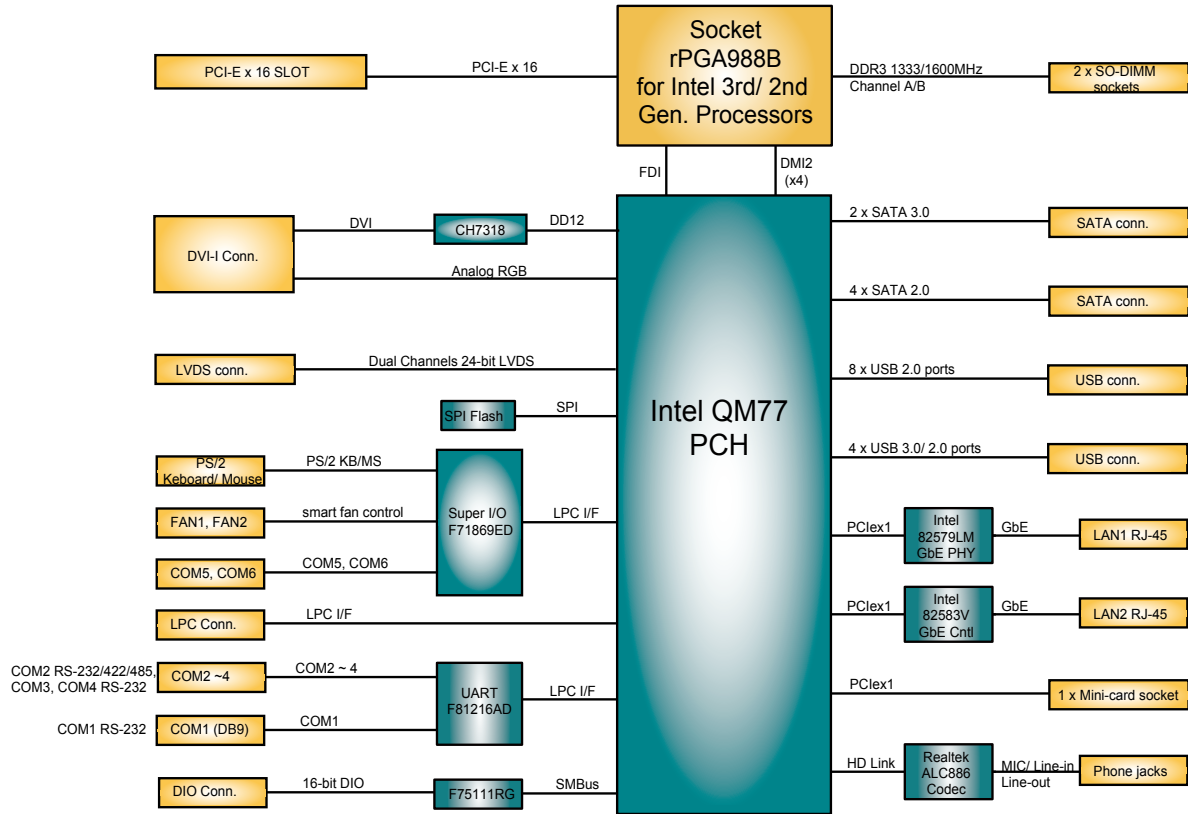
### Mechanical & Environmental

<b>Power Requirement</b>	DC12V input only
<b>Power Consumption</b>	4.3A@+12V with i7-3610QE (Typical)
<b>Operating Temp.</b>	-20 ~ 70°C (-4 ~ 158°F)
<b>Operating Humidity</b>	10 ~ 95% @ 70°C (non-condensing)
<b>Dimensions (L x W)</b>	170 x 170 mm (6.7" x 6.7")

### Dimensions



## Block Diagram



## Ordering Information

**ITX-i77M0** Intel® Ivy Bridge rPGA988 socket Core™ i7/i5/i3, Celeron® embedded Mini-ITX motherboard

## Optional Accessories

**CPF-67M0-C1** CPU Cooling Fan for rPGA988 CPU

- Cable kit
- 2 x Two ports COM cables
  - 1 x COM Flat cable
  - 1 x USB cable
  - 2 x SATA cables
  - 1 x SATA Power cable

**CBK-11-67M0-00**