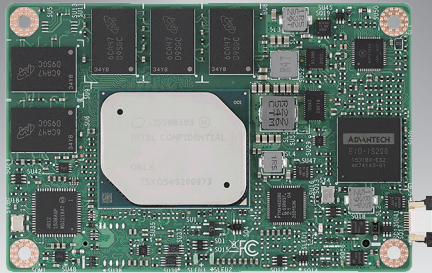


SOM-7569

Intel® Atom™ E3900 & Pentium™ and Celeron™ N Series Processors COM-Express Mini Module

NEW



Features

- COM R.2.1 Type 10 Mini Module
- Intel® Atom™ E3900 & Pentium™ and Celeron™ N Series Processors
- One Channel DDR3L 1866 ECC / non-ECC onboard memory up to 8 GB
- Dual Display: LVDS, HDMI/DisplayPort
- Up to 32GB eMMC 5.0 onboard storage
- Supports H.264/AVC, H.265/HEVC, VP9, VP8 HW DECODE
- Supports Wide-range operating temp.
- iManager and Embedded Software APIs

Software APIs:

- Watchdog
- IPC
- SMBus
- H/W Monitor
- GPIO
- Brightness Control

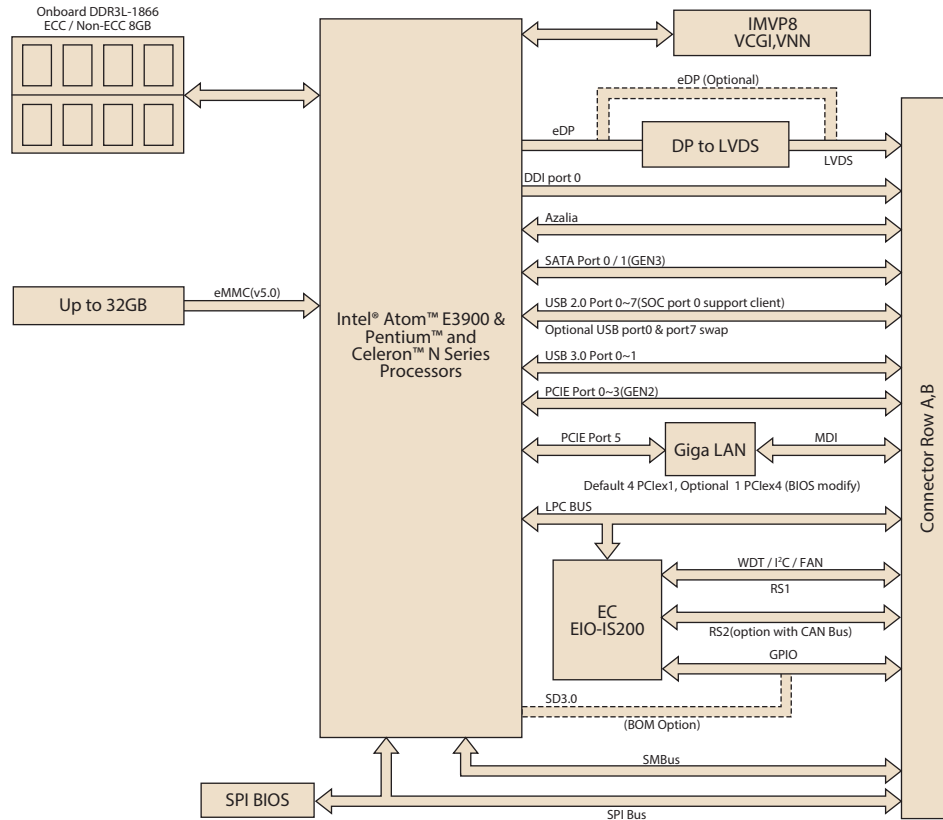
Utilities:

- BIOS flash
- Monitoring
- Embedded Security ID

Specifications

Form Factor	Form Factor	COM-Express 2.1					
	Pin-out Type	Mini Module, Type 10 Pin-out					
Processor System	SoC	Atom X7-E3950	Atom X5-E3940	Atom X5-E3930	Pentium N4200	Celeron N3350	
	Base Frequency	1.6GHz	1.6GHz	1.3GHz	1.1GHz	1.1GHz	
	Burst Frequency	2GHz	1.8GHz	1.8GHz	2.5GHz	2.4GHz	
	Core/Thread	4 / 4	4 / 4	2 / 2	4 / 4	2 / 2	
	LLC	2MB	2MB	2MB	2MB	2MB	
	CPU TDP	12W	9.5W	6.5W	6W	6W	
	Chipset	integrated in CPU					
	BIOS	AMI UEFI BIOS @ 64Mb					
Memory	Technology	One channel DDR3L 1866					
	ECC Support	Yes					
	Max. Capacity	8GB					
	Socket	Onboard DDR					
Graphics	Controller	Intel® HD Graphics 505	Intel® HD Graphics 500	Intel® HD Graphics 500	Intel® HD Graphics 505	Intel® HD Graphics 500	
	Graphics Burst Frequency	650MHz	600MHz	550MHz	750MHz	650MHz	
	Graphic Memory	TBD					
	3D/HW Acceleration	DX (9.3, 10, 11.3, 12), OpenGL 4.3, OGL ES 3.0, OpenCL 2.0 HEVC (H.265) @L5, H.264 @ 5.2, MVC, MPEG2, VP8, VP9, VC-1, WMV9, JPEG/MJPEG HW Decode, HEVC (H.265) @L4, H.264@ 5.2, MVC, VP8, VP9, JPEG/MJPEG HW Encode					
Display	LCD (LVDS/eDP)	LVDS: Single-channel 18/24-bit, up to 1366 x 768 eDP: Up to 4096 x 2160 @ 60 Hz					
	DDO (HDMI/DisplayPort)	HDMI 1.4b: Upto 3840 x 2160 @ 30 Hz DP 1.2: Upto 4096 x 2160 @ 60 Hz					
	Dual Display	LVDS, HDMI/DisplayPort eDP, HDMI/DisplayPort (optional)					
Expansion	PCI Express x1	4 PCIe1x1, 1 PCIe4x4 (optional)					
	Audio Interface	HD Audio					
	LPC	Yes					
Serial Bus	SMBus	Yes					
	IPC Bus	Yes					
Ethernet	Controller	Intel® i210IT/i210AT					
	Speed	10/100/1000 Mbps					
I/O	SATA	2 Ports, Support Gen 1(1.5 Gb/s) or Gen2 (3 Gb/s) and Gen3.1 (6Gb/s)					
	Onboard Storage	Up to 32GB eMMC 5.0 interface					
	USB3.0	2 Ports					
	USB2.0	8 Ports					
	Audio	Intel® HD Audio					
	GPIO	8-bit GPIO					
	SDIO	Optional					
	Watchdog	65536 level, 0 ~ 65535 sec					
	COM Port	2 Ports (2-Wire)					
	Express Card	Yes					
	Smart Fan	2 Ports; 1 Port on COM Module. Support 12V Fan, 1 Port on Carrier Board					
	Power	Type	ATX, AT				
		Supply Voltage	ATX (Vin 4.75-20V, Vsb 4.75-5.25V) AT (Vin 4.75-20V)				
Power Consumption (Max.)		Max. 12.886Watt. (N4200), 11.999Watt. (N3350)					
Power Consumption (Idle)		Idle 2.555Watt.(N4200), 2.783Watt.(N3350)					
Environment	Temperature	Operating: 0 ~ 60 °C (32 ~ 140 °F), Storage: -40 ~ 85 °C (-40 ~ 185 °F) Extend: -40 ~ 85 °C (-40 ~ 185 °F)					
	Humidity	Operating: 40 °C @ 95% relative humidity, non-condensing Storage: 60 °C @ 95% relative humidity, non-condensing					
	Vibration Resistance	3.5 Grms					
Mechanical	Dimensions	84 x 55 mm (3.3" x 2.17")					

Block Diagram



Ordering Information

Part No.	SoC	Base/Burst Freq.	Core	LLC	CPU TDP	Onboard Memory	Onboard Flash	Thermal Solution	Operating Temperature
SOM-7569CM0C-S2A1E	Pentium N4200	1.1GHz / 2.5GHz	4	2MB	6W	4GB / Non-ECC	N/A	Passive	0 ~ 60° C
SOM-7569CM0C-S1A1E	Celeron N3350	1.1GHz / 2.4GHz	2	2MB	6W	4GB / Non-ECC	N/A	Passive	0 ~ 60° C
SOM-7569CCBC-S6A1E	Atom X7-E3950	1.6GHz / 2GHz	4	2MB	12W	4GB / ECC	MLC 32GB	Passive	0 ~ 60° C
SOM-7569CM0C-S5A1E	Atom X5-E3940	1.6GHz / 1.8GHz	4	2MB	9.5W	4GB / ECC	N/A	Passive	0 ~ 60° C
SOM-7569CM0C-S3A1E	Atom X5-E3930	1.3GHz / 1.8GHz	2	2MB	6.5W	4GB / ECC	N/A	Passive	0 ~ 60° C
SOM-7569DCBX-S6A1E	Atom X7-E3950	1.6GHz / 2GHz	4	2MB	12W	8GB / ECC	MLC 32GB	TBC	-40 ~ 85° C
SOM-7569CCBX-S6A1E	Atom X7-E3950	1.6GHz / 2GHz	4	2MB	12W	4GB / ECC	MLC 32GB	TBC	-40 ~ 85° C
SOM-7569CM0X-S5A1E	Atom X5-E3940	1.6GHz / 1.8GHz	4	2MB	9.5W	4GB / ECC	N/A	TBC	-40 ~ 85° C
SOM-7569CM0X-S3A1E	Atom X5-E3930	1.3GHz / 1.8GHz	2	2MB	6.5W	4GB / ECC	N/A	TBC	-40 ~ 85° C

Note: Any other sku or combination is project based support. Please contact sales for details.

Packing List

Part No.	Description	Quantity
-	SOM-7569 CPU Module (N4200, N3350 CPU SKU)	1
1960079608T000	Heatspreader * For N4200, N3350 CPU SKU	1
-	SOM-7569 CPU Module (E3950, E3940, E3930 CPU SKU)	1
1960079610T000	Heatspreader * For E3950, E3940, E3930 CPU SKU	1

Development Board

Part No.	Description
SOM-DB5800-U0A2E	COMe Devel. Board Type10 pint-out Rev. A2

Optional Accessories

Part No.	Description
1960056280N001	Semi-Heatsink 84L x 55W x 13.2H mm (0 ~ 60° C)
96LEDK-I057VG50NA1	5.7" LED PANEL 500N 640X480(G)
96LEDK-A084SV45NB2	8.4" LED PANEL 450N 800X600(G) G084SN05 V9
96LEDK-C150XG40NG1	15" LED PANEL 400N 1024X768(G) G150XGE-L04

Embedded OS

OS	Part Number	Description
Win10	2070015218	img W10 16HL SOM-7569 64b 1701 ENU
Win10	2070015219	img W10 16VL SOM-7569 64b 1701 ENU
Win10	2070015220	img W10 16EL SOM-7569 64b 1701 ENU