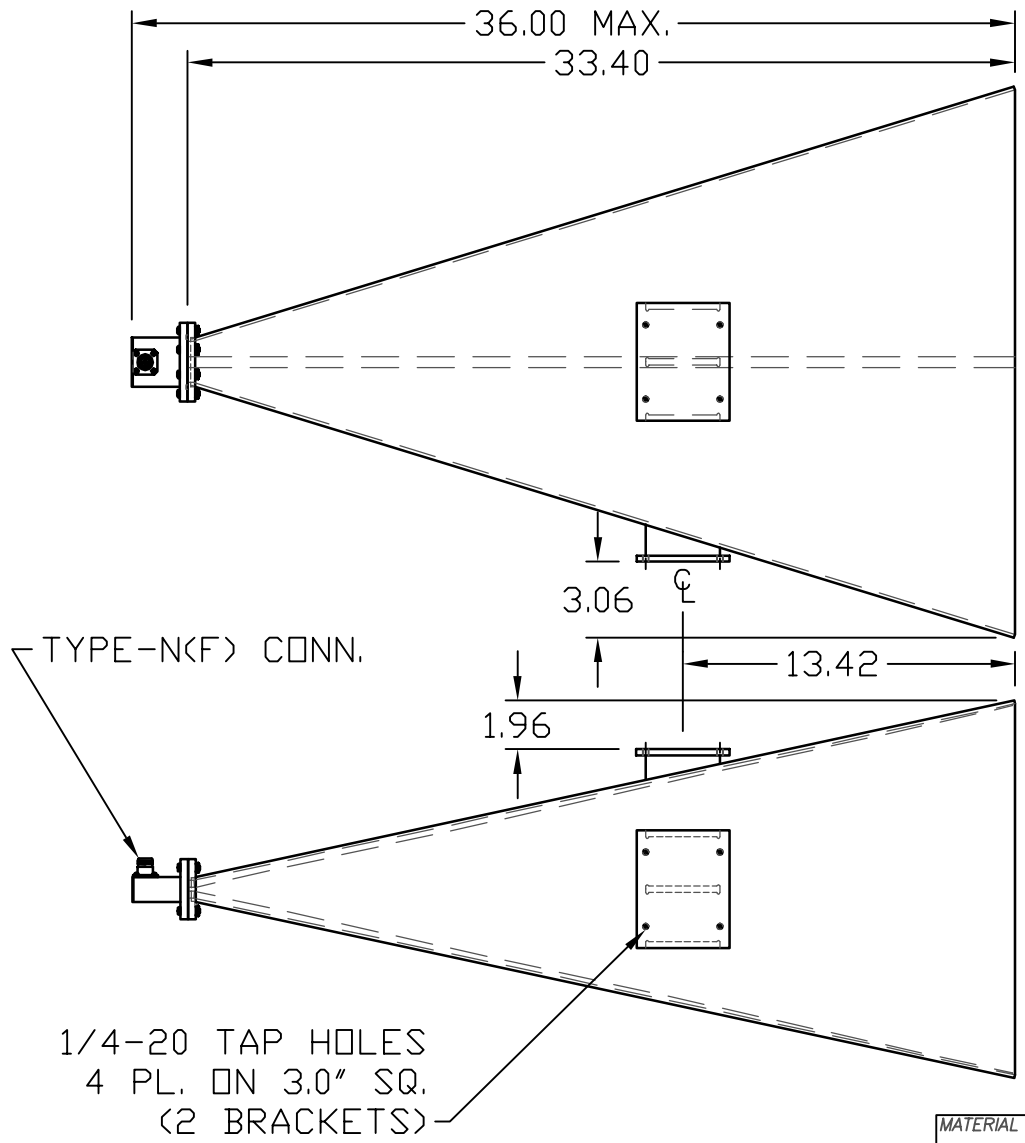
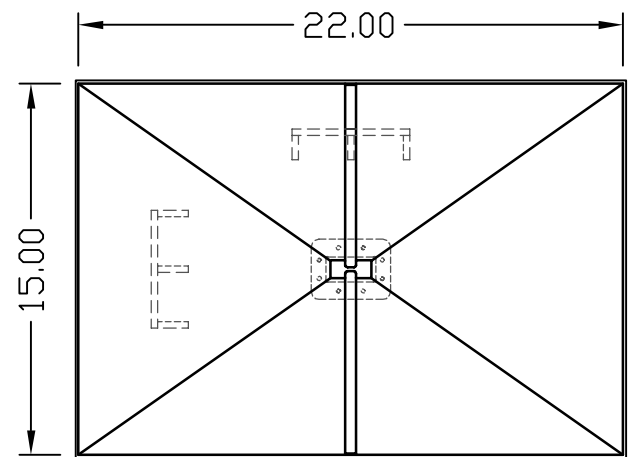


REV. A	DATE 5/28/03	INITIAL RELEASE	APPROVED
B	6/16/03	CONNECTOR MOVED, ADAPTER LENGTH REDUCED. LENGTH "36.00 MAX." WAS "36.43"	



MODEL NO. 250-442EM-NF
 FREQ. 2.5-8.0 GHz
 CONNECTOR TYPE-N(F)
 GAIN 20 dB
 VSWR 1.60 MAX.
 APERTURE 22"x15"



MATERIAL 6061 ALUMINUM	TREATMENT	DRAWN J. EAGAN	DATE 5/28/03
FINISH ATM STD GRAY	MOD NO. 250-442EM-NF	CHECKED	DATE
OUTLINE WRD250, TYPE-N(F) WG HORN		APPROVED	DATE
		CAGE CODE: OR8N4	DO NOT SCALE DWG
ADVANCED TECHNICAL MATERIALS, INC. 49 RIDER AVE., PATCHOGUE N.Y. 11772 TEL: (631) 289-0363 FAX: (631) 289-0358 http://www.atmmicrowave.com		UNLESS OTHERWISE NOTED DIMENSIONS ARE IN INCHES TOLERANCES ARE:	FRACTIONS ±1/64 DECIMALS ±.01 ANGLES ±1/2°
		PROPRIETARY NOTICE: THE INFORMATION IN THIS DRAWING IS PROPRIETARY AND SHALL NOT BE USED OR DISCLOSED WITHOUT THE PRIOR WRITTEN CONSENT OF ATM, INC.	SCALE 1/8 DWG. NO. 5664W
			SHEET. 1/1 REV. B