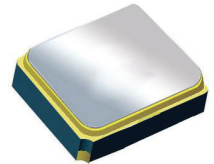


# Surface Mount 722.00MHz SAW Filter



1.4 x 1.1 x 0.7 mm

**AFS14A11-722.00-T2**



**RoHS  
Compliant**

Moisture Sensitivity Level (MSL) – This product is Hermetically Sealed and not Moisture Sensitive - MSL = N/A: Not Applicable

## FEATURES:

- 1.4 x 1.1 x 0.7 mm low profile SMT package
- Low Insertion loss
- Excellent selectivity with high out-of-band rejection

## APPLICATIONS:

- Wireless Communication
- Remote Control
- Cellular Phones

## ELECTRICAL SPECIFICATIONS:

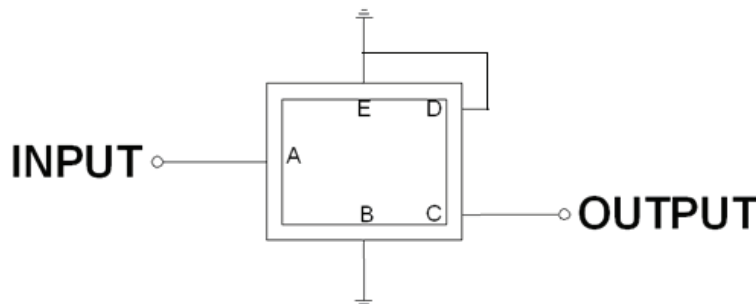
### Maximum Ratings

Item	Value
Input Power Level	+15 dBm max.
DC Permissive Voltage	3.0V DC max.
Operating Temperature Range	-10°C to + 60°C
Storage Temperature Range	-40°C to + 85°C

Parameters	Minimum	Typical	Maximum	Units	Notes
Center Frequency ( $f_c$ )		722.00		MHz	
Insertion Loss (IL)		2.1	2.8	dB	(716.29 ~ 727.71 MHz)
Effective Bandwidth		11		MHz	
Amplitude Ripple		0.4	1.2	dB	(716.29 ~ 727.71 MHz)
Group Delay Ripple		35	80	ns p-p	(716.29 ~ 727.71 MHz)
Stop-band Attenuation (Referenced to 0.0 dB)	35	38		dB	0.1 ~ 698.0MHz
	3	7			704 ~ 710MHz
	0.5	1.5			710 ~ 716MHz
	0.5	2.0			728 ~ 734MHz
	5	11.1			734 ~ 740MHz
	23	27			740 ~ 746MHz
	30	36			746 ~ 756MHz
	40	52			776 ~ 798MHz
	40	46			824 ~ 960MHz
	32	36			1575.0MHz
	30	34			1710 ~ 1785MHz
	25	33			1920 ~ 1980MHz
20	26		2400 ~ 2484MHz		
Source Impedance ( $Z_s$ )		50		$\Omega$	See note # 1
Load Impedance ( $Z_L$ )		50		$\Omega$	See note # 1

**Note #1:** No matching network required for operation into 50 $\Omega$ 's

## TEST CIRCUIT:

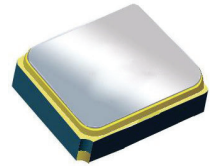


# Surface Mount 722.00MHz SAW Filter

AFS14A11-722.00-T2

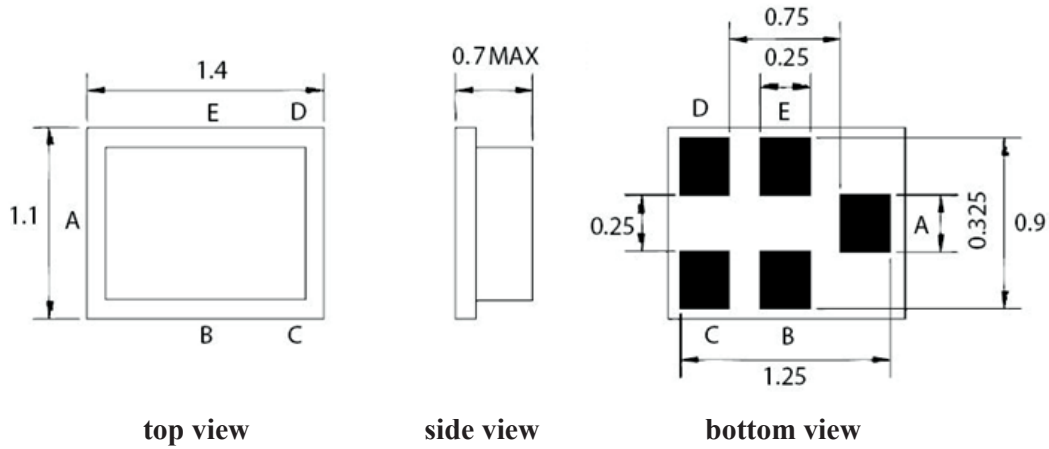


RoHS  
Compliant



1.4 x 1.1 x 0.7 mm

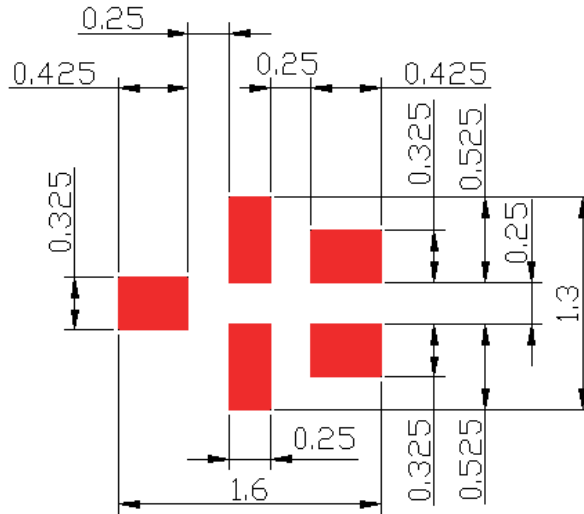
## OUTLINE DIMENSIONS:



<b>A:</b>	Input
<b>C:</b>	Output
<b>B, D, E:</b>	Ground

Dimensions: mm

Recommended Land Pattern:



Dimensions: mm

# Surface Mount 722.00MHz SAW Filter

AFS14A11-722.00-T2



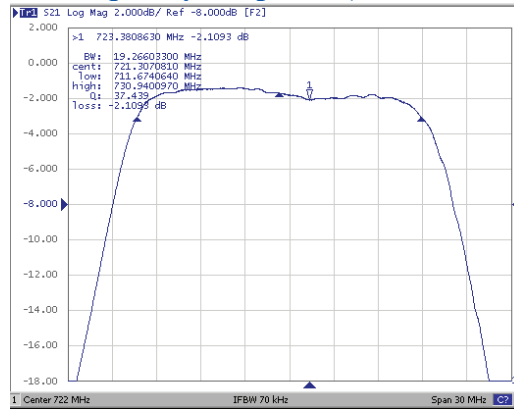
RoHS  
Compliant



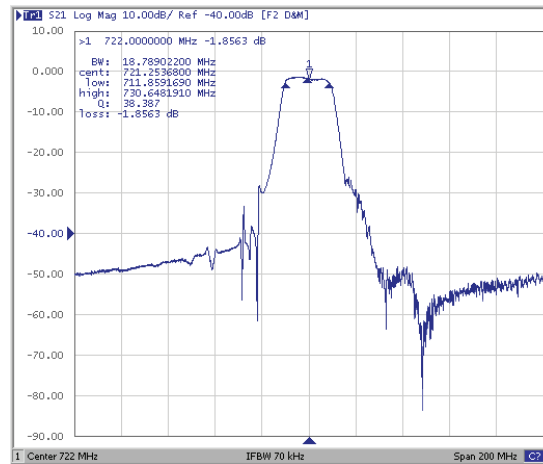
1.4 x 1.1 x 0.7 mm

## FREQUENCY CHARACTERISTICS:

### Filter Frequency Response (Narrowband)

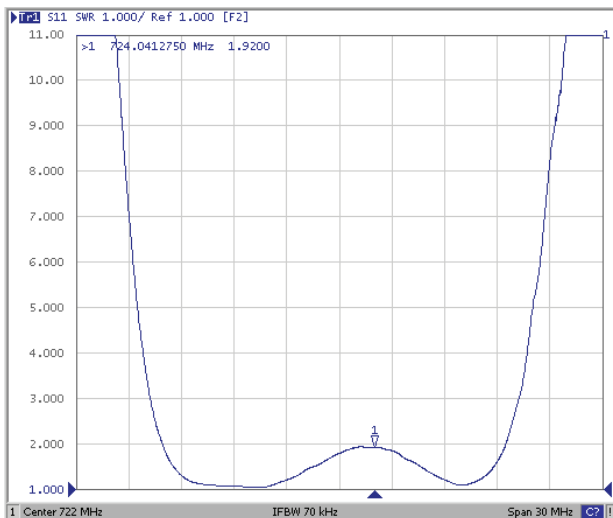


### Filter Frequency Response (Wideband)

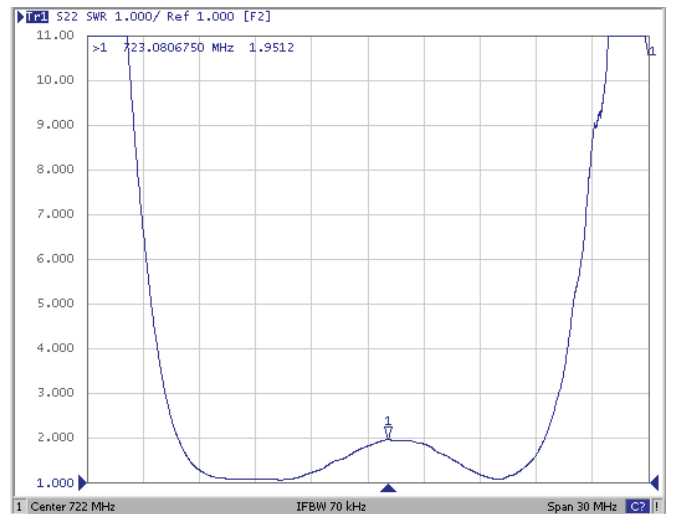


## REFLECTION FUNCTIONS:

### S11



### S22



ABRACON IS  
ISO 9001:2008  
CERTIFIED



Visit [www.abracon.com](http://www.abracon.com) for Terms & Conditions of Sale  
30332 Esperanza, Rancho Santa Margarita, California 92688  
tel 949-546-8000 | fax 949-546-8001 | [www.abracon.com](http://www.abracon.com)

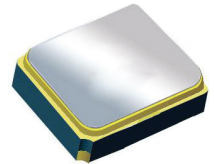
Revised: 09.22.14

# Surface Mount 722.00MHz SAW Filter

AFS14A11-722.00-T2

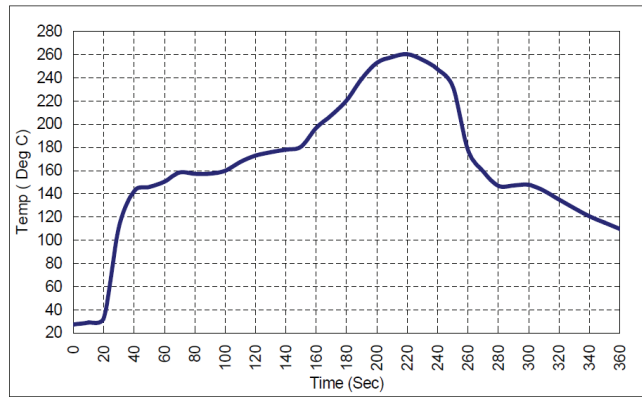


RoHS  
Compliant



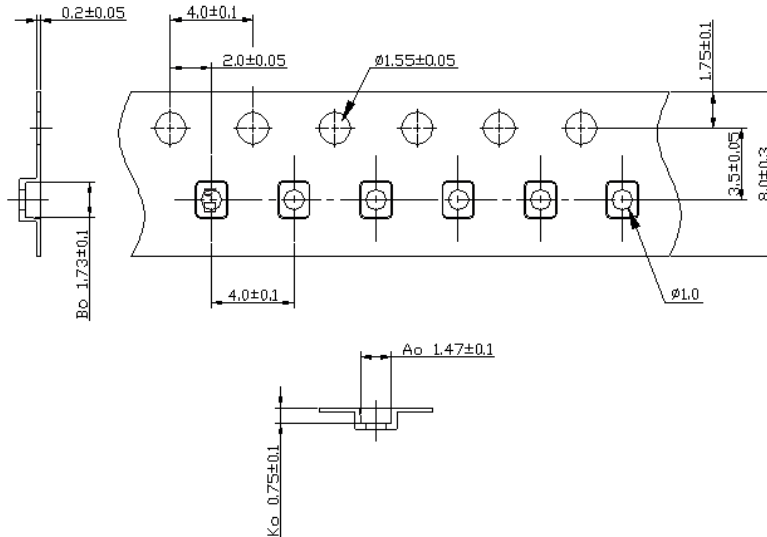
1.4 x 1.1 x 0.7 mm

## REFLOW PROFILE:

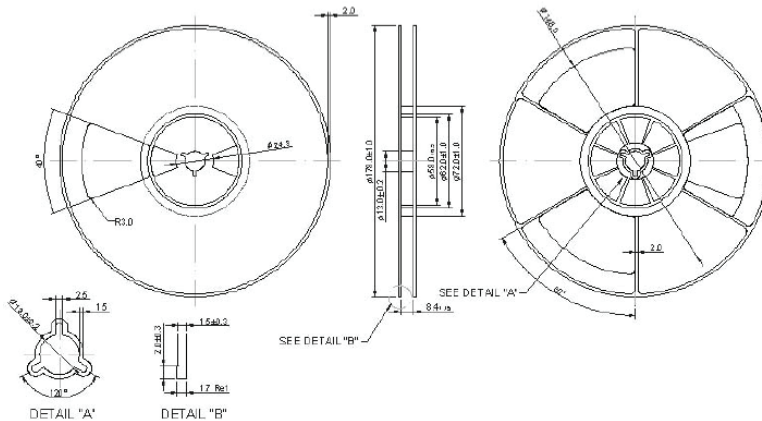


## PACKAGING: 3000 Units/Reel “-T2” parts (2k/reel) are no longer available effective 01/01/2013

Reel Count : 7" = 3k units



Dimensions: mm



**ATTENTION:** Abracon Corporation's products are COTS – Commercial-Off-The-Shelf products; suitable for Commercial, Industrial and, where designated, Automotive Applications. Abracon's products are not specifically designed for Military, Aviation, Aerospace, Life-dependant Medical applications or any application requiring high reliability where component failure could result in loss of life and/or property. For applications requiring high reliability and/or presenting an extreme operating environment, written consent and authorization from Abracon Corporation is required. Please contact Abracon Corporation for more information.

ABRACON IS  
ISO 9001:2008  
CERTIFIED



Visit [www.abracon.com](http://www.abracon.com) for Terms & Conditions of Sale  
30332 Esperanza, Rancho Santa Margarita, California 92688  
tel 949-546-8000 | fax 949-546-8001 | [www.abracon.com](http://www.abracon.com)

Revised: 09.22.14