

### CX3099NL

- COUPLER, 16dB
- 10–1000MHz
- IMPEDANCE = 50 OHMS
- SURFACE MOUNT

#### ELECTRICAL SPECIFICATIONS: @ 25°C

INSERTION LOSS: (IN–OUT)

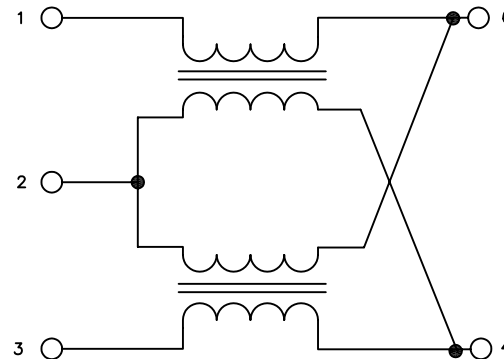
FREQUENCY	ATTENUATION (S21)
10–1000 MHz	–2.0 dB MAXIMUM

INSERTION LOSS: (IN–BR)

FREQUENCY	ATTENUATION (S21)
10–1000 MHz	–16 ±2.5 dB

#### NOTES: UNLESS OTHERWISE SPECIFIED

1. OPERATING TEMPERATURE: –40°C TO +85°C
2. STORAGE TEMPERATURE: –50°C TO +125°C
3. COMPLIANCE TO J–STD:
  - J–STD–002: SOLDERABILITY AT REFLOW PEAK TEMPERATURE OF 245°C
  - J–STD–020: MSL 1, NO MOISTURE SENSITIVE
  - J–STD–075: R6, 250°C MAXIMUM THROUGH REFLOW SOLDER
4. DIMENSIONS ARE IN MM [INCHES].
  - TOLERANCE:
  - .X = ±0.25 [±.010]
  - .XX = ±0.13 [±.005]
5. OPTIONAL TAPE & REEL PACKAGING CAN BE ORDERED BY ADDING A "T" SUFFIX TO THE PART NUMBER. ie: CX3099NLT



SCHEMATIC

© Copyright, 2014. Pulse Electronics Corp. All rights reserved. Pulse confidential & proprietary. (04/14/2014)

PRODUCT DESCRIPTION:

CPLR,DIR,10–1000M,16dB,KAYAK,SMT

SHEET:

1 OF 2

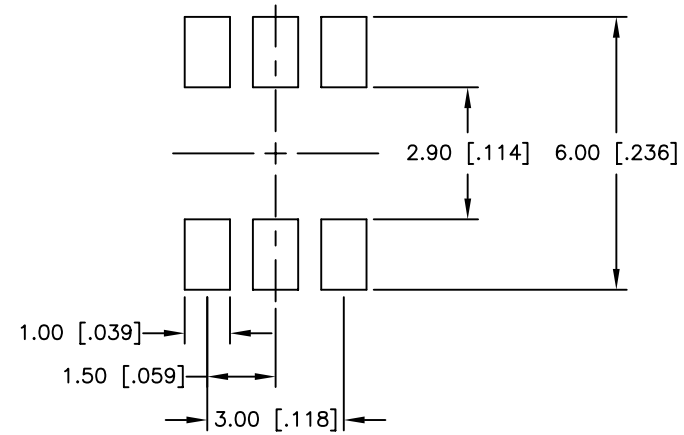
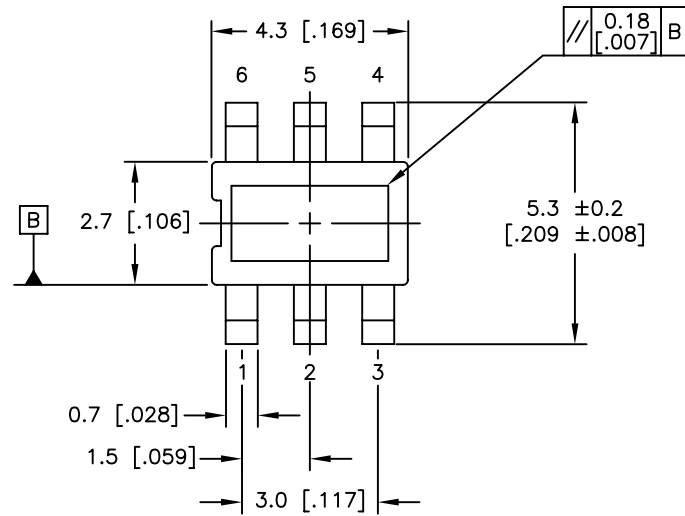
PART NO.

CX3099NL

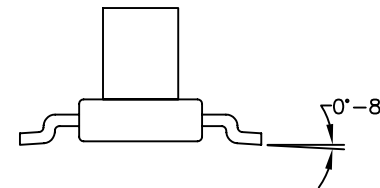
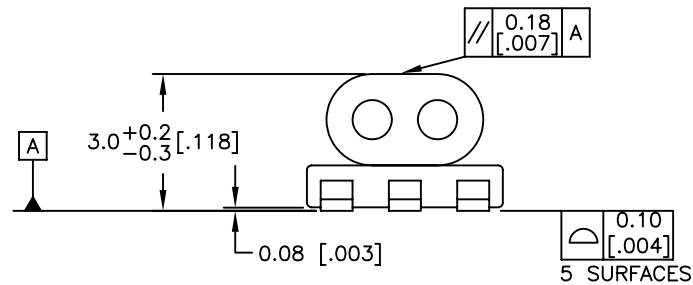
DATASHEET REV.

M10

**MECHANICAL SPECIFICATIONS:**



SUGGESTED LAND PATTERN



© Copyright, 2014. Pulse Electronics Corp. All rights reserved. Pulse confidential & proprietary. (04/14/2014)

PRODUCT DESCRIPTION:		SHEET:	PART NO.	DATASHEET REV.
CPLR,DIR,10-1000M,16dB,KAYAK,SMT		2 OF 2	CX3099NL	M10