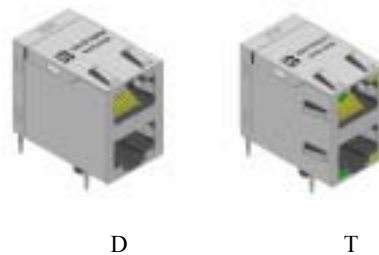


**“LAN-MATE” SERIES Description:**  
**10/100/1000 Base-T RJ45 2x1 Integrated Magnetics Connector**  
**10/100/1000 BASE-T MAGNETICS**

- Complies with requirement of IEEE 802.3ab standards.
- RJ-45 connector integrated with transformer/impedance resistor/high voltage capacitor.
- Size same as RJ-45 connector to save PCB board space.
- Reduced EMI radiation to improve EMI performance.
- Design for 1000 BASE transmission over UTP-5 cable.
- Compliance with ROHS requirements.
- Operating temperature range: 0 to +70 .
- Storage temperature range: -25 to +85 .



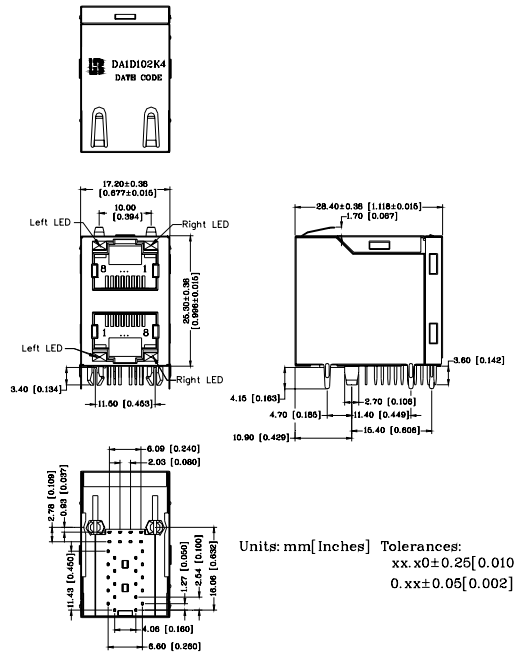
Electrical specifications @ 25							
Part Number	Turns Ratio (±2%)		OCL (uH Min) @ 100 KHz/0.1V with 8mA DC Bias	DCMR (dB Min)			HI-POT (Vrms) pri : sec
	TX	RX		0.3-30MHz	60MHz	100MHz	
DA1D102K4	1CT: 1CT	1CT: 1CT	350	-50	-45	-40	1500
DA1T001A1	1CT: 1CT	1CT: 1CT	350	-50	-45	-40	1500
DA1T002I3	1CT: 1CT	1CT: 1CT	350	-50	-45	-40	1500
DA1T101G1	1CT: 1CT	1CT: 1CT	350	-50	-45	-40	1500
DA1T101J1	1CT: 1CT	1CT: 1CT	350	-50	-45	-40	1500
DA1T102B1	1CT: 1CT	1CT: 1CT	350	-50	-45	-40	1500
DA1T001A3	1CT: 1CT	1CT: 1CT	350	-50	-45	-40	1500

Continue										
Number	Return Loss (dB Min)					Cross talk (dB Min)				Insertion Loss (dB Max)
	1-30MHz	40MHz	50MHz	60-80MHz	100MHz	0.5-10MHz	30MHz	50MHz	100MHz	
DA1D102K4	-18	-16	-14.08	-12.5	-10	-50	-40	-35	-30	-1.0
DA1T001A1	-18	-16	-14.08	-12.5	-10	-50	-40	-35	-30	-1.0
DA1T002I3	-18	-16	-14.08	-12.5	-10	-50	-40	-35	-30	-1.0
DA1T101G1	-18	-16	-14.08	-12.5	-10	-50	-40	-35	-30	-1.0
DA1T101J1	-18	-16	-14.08	-12.5	-10	-50	-40	-35	-30	-1.0
DA1T102B1	-18	-16	-14.08	-12.5	-10	-50	-40	-35	-30	-1.0
DA1T001A3	-18	-16	-14.08	-12.5	-10	-50	-40	-35	-30	-1.0

**“LAN-MATE” SERIES Description:  
10/100/1000 Base-T RJ45 2x1 Integrated Magnetics Connector  
10/100/1000 BASE-T MAGNETICS**

**Mechanicals**

**DA1D XXXX**

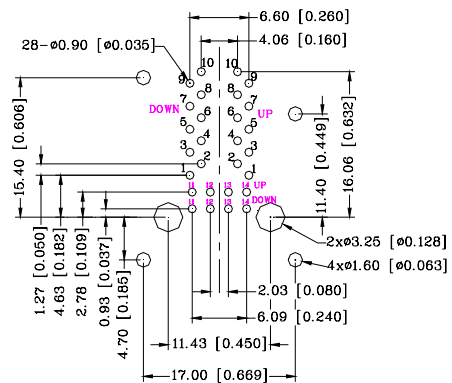
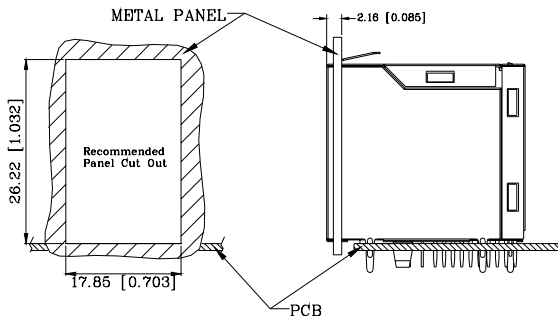


- 1. Plastic Material : Thermoplastic (UL 94V-0), Black Housing
- 2. Metal Shield : Brass, 30u" inches thick Nickel
- 3. Spring Wire : Phosphor bronze
- 4. Solder Pin : 0.5x0.35mm, Phosphor bronze with solder Plated
- 5. Durability : 750 Mating cycles Min.

**Suggested Panel Opening**

**PCB Layout Mounting Hole (Top View)**

**DA1XXXXX**



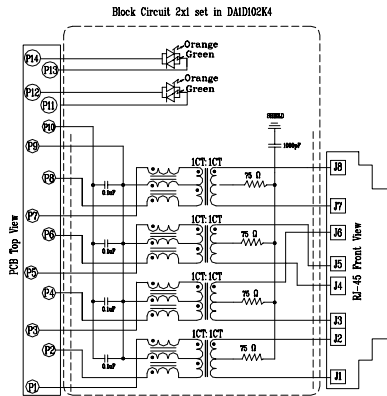
Units: mm[Inches] Tolerances: xx.x0±0.25[0.010]  
0.xx±0.05[0.002]

**“LAN-MATE” SERIES Description:**  
**10/100/1000 Base-T RJ45 2x1 Integrated Magnetics Connector**  
**10/100/1000 BASE-T MAGNETICS**

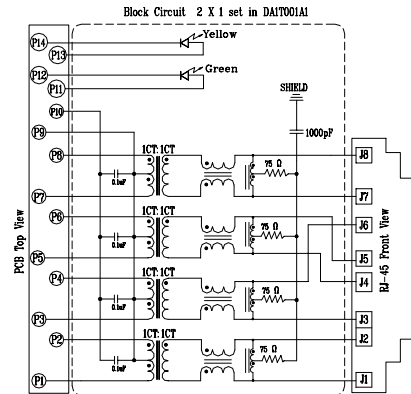
Specification	Packing Manner	Q'ty per Tray	Q'ty/ Inner box	Q'ty/ Carton
DA1DXXXX	Tray	36	288	288
DA1SXXXX	Tray	36	288	288
DA1TXXXX	Tray	36	288	288

**Schematics**

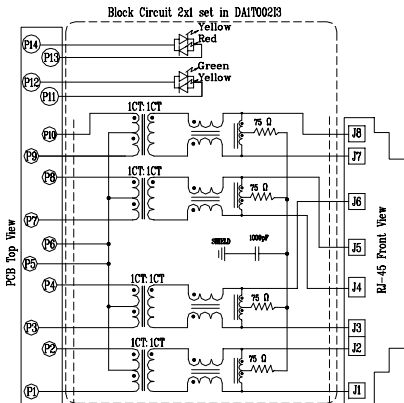
**DA1D102K4**



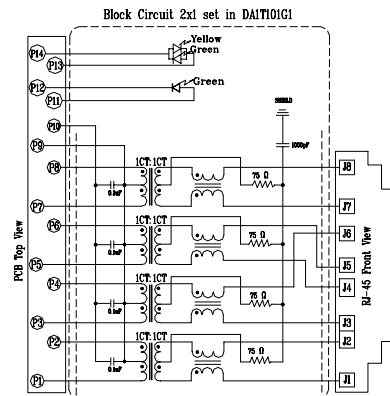
**DA1T001A1**



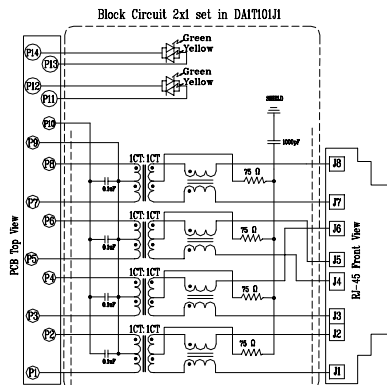
**DA1T002I3**



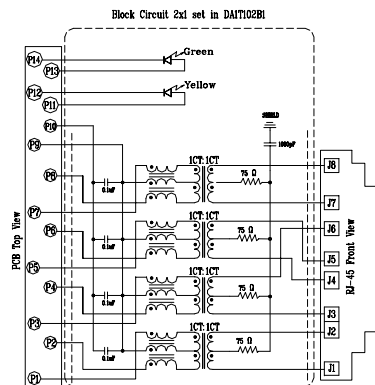
**DA1T101G1**



**DA1T101J1**

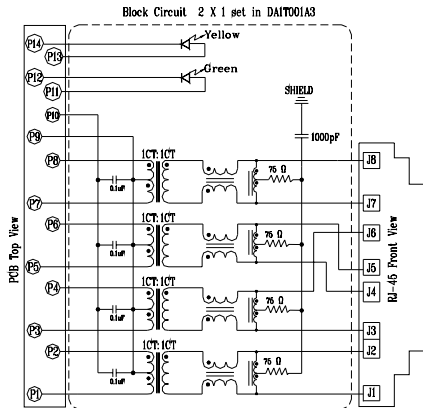


**DA1T102B1**



**“LAN-MATE” SERIES Description:**  
**10/100/1000 Base-T RJ45 2x1 Integrated Magnetics Connector**  
**10/100/1000 BASE-T MAGNETICS**

DA1T001A3



**Ordering Information**

Ordering code structure: **D X X X XXX X X**

**D** = Double institutions

**X** = U = 100 BASE  
A = 1000 BASE

**X X X** = Schematic

**X** = LED Code

**X** = RJ45 Plating / Contact Area

Legend for **X X X**:

- "S" = shield
- "U" = un-shield
- "D" = spring tab on side
- "T" = with spring tab on top and side
- "E" = spring tab on top

2\*N, N=1,2,3,4...

Code	RJ45 Plating	
	Contact Area	
1	6u" gold	
2	15u" gold	
3	30u" gold	
4	50u" gold	

LED Code				
	Left LED		Right LED	
	11+/12-	11-/12+	13+/14-	13-/14+
A	Green	--	Yellow	--
B	Yellow	--	Green	--
C	Green	--	Green	--
D	--	Green	--	Yellow
E	--	Yellow	--	Green
F	Yellow	--	Orange	Green
G	Green	--	Green	Yellow
H	Orange	Green	Orange	Green
I	Yellow	Green	Red	Yellow
J	Yellow	Green	Yellow	Green
K	Green	Orange	Green	Orange
U	Green	Yellow	Green	Yellow
0	--	--	--	--