



# RFU620-10400

RFU62x

RFID

**SICK**  
Sensor Intelligence.



### Ordering information

| Type         | Part no. |
|--------------|----------|
| RFU620-10400 | 1062600  |

Other models and accessories → [www.sick.com/RFU62x](http://www.sick.com/RFU62x)



### Detailed technical data

#### Features

|                          |  |
|--------------------------|--|
| <b>Version</b>           | Mid Range  |
| <b>Product category</b>  | Write/read device with integrated antenna  |
| <b>Radio approval</b>    | Europe (ETSI EN 302 208-2 V1.4.1)<br>South Africa (ETSI EN 302 208-2 V1.4.1)   |
| <b>Frequency band</b>    | UHF (860 MHz ... 960 MHz)  |
| <b>Carrier frequency</b> | 865.7 MHz ... 867.5 MHz  |
| <b>Output power</b>      | 0.25 W (ERP, 24 dBm)   |
| <b>RFID standard</b>     | EPCglobal UHF Class 1 Generation 2, ISO/IEC 18000-6 C  |
| <b>Modulation</b>        | PR-ASK   |
| <b>Connection type</b>   | Cable  |
| <b>MTBF</b>              | 23 years   |
| <b>Heating</b>           | No   |
| <b>Scanning range</b>    | Max. 1 m <sup>1)</sup>   |
| <b>Antenna</b>           | Integrated (circular polarized, axial ration typ. 2 dB, 100° field opening, front to back ratio > 7 dB)  |
| <b>Service functions</b> | Parameter cloning with integrated microSD memory card slot or externally via CMC module in CDB620  |
| <b>Further functions</b> | Cloning function (microSD memory card or system), diagnosis, updatable firmware, freely programmable data output format, Heartbeat, triggering, SICK AppSpace functionalities can be enabled with the SD card accessory SDK6U-P00100 |

<sup>1)</sup> Depending on transponder used and ambient conditions.

#### Interfaces

|               |                           |
|---------------|---------------------------|
| <b>Serial</b> | ✓, RS-232, RS-422, RS-485 |
| Function      | Host, AUX (only RS-232)   |

|                               |   |
|-------------------------------|---|
| Data transmission rate        | 0.3 kBaud ... 115.2 kBaud, AUX: 57.6 kBaud (RS-232)   |
| <b>CAN</b>                    | ✓   |
| Remark                        | CSN (SICK CAN Sensor Network)   |
| Function                      | Host  |
| <b>PROFIBUS DP</b>            | ✓   |
| Type of fieldbus integration  | Optional over external fieldbus module CDF600-2   |
| <b>DeviceNet™</b>             | ✓   |
| Type of fieldbus integration  | Optional available externally   |
| <b>USB</b>                    | ✓   |
| Remark                        | USB 2.0   |
| Function                      | AUX   |
| <b>Switching inputs</b>       | 4 ("Sensor 1", "Sensor 2", 2 inputs via optional parameter storage CMC600 in CDB620/CDM420)               |
| <b>Switching outputs</b>      | 4 ("Result 1", "Result 2", 2 outputs via optional parameter storage CMC600 in CDB620/CDM420)              |
| <b>Optical indicators</b>     | 11 LEDs (function configurable via SOPAS ET, alternatively controlling with sw commands, status displays) |
| <b>Configuration software</b> | SOPAS ET  |

#### Mechanics/electronics

|                               |                                    |
|-------------------------------|------------------------------------|
| <b>Electrical connection</b>  | 1 x 15-pin D-sub HD plug           |
| <b>Operating voltage</b>      | 10 V DC ... 30 V DC                |
| <b>Power consumption</b>      | 8 W, standby 3 W                   |
| <b>Housing</b>                | Aluminum die cast<br>Plastic (PPS) |
| <b>Enclosure rating</b>       | IP67                               |
| <b>Protection class</b>       | III                                |
| <b>Weight</b>                 | 780 g                              |
| <b>Dimensions (L x W x H)</b> | 137 mm x 131 mm x 56 mm            |

#### Ambient data

|  |   |
|--|---|
| <b>Electromagnetic compatibility (EMC)</b> | EN 61000-6-3 (2007) + A1 (2011) / EN 61000-6-2 (2005) |
| <b>Vibration resistance</b>                | EN 60068-2-6 (2008-02)                                |
| <b>Shock resistance</b>                    | EN 60068-2-27 (2009-05)                               |
| <b>Ambient operating temperature</b>       | -25 °C ... +50 °C                                     |
| <b>Storage temperature</b>                 | -40 °C ... +70 °C                                     |
| <b>Permissible relative humidity</b>       | 90 %, Non-condensing                                  |

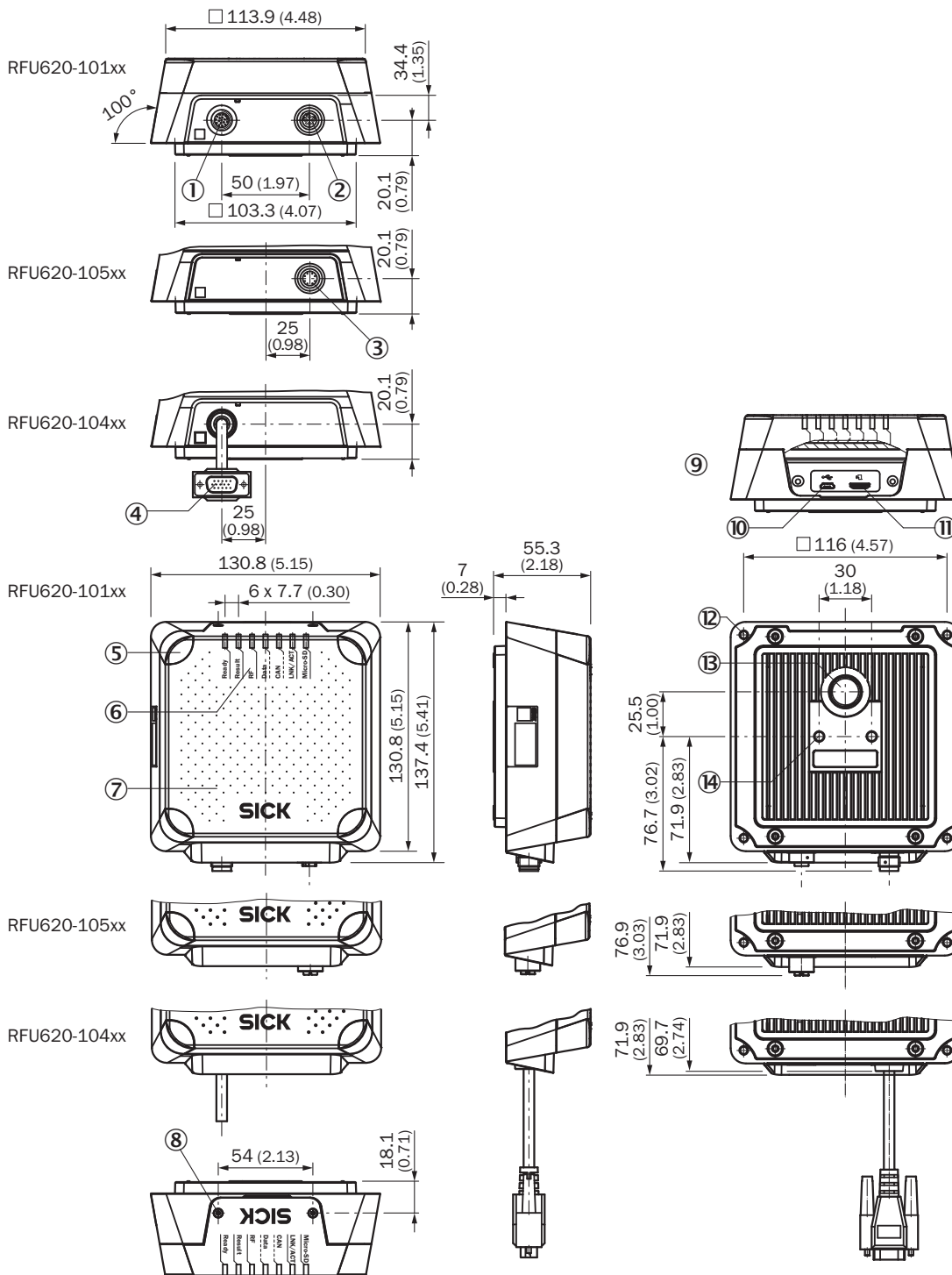
#### Classifications

|                     |          |
|---------------------|----------|
| <b>ECl@ss 5.0</b>   | 27280401 |
| <b>ECl@ss 5.1.4</b> | 27280401 |
| <b>ECl@ss 6.0</b>   | 27280401 |
| <b>ECl@ss 6.2</b>   | 27280401 |
| <b>ECl@ss 7.0</b>   | 27280401 |
| <b>ECl@ss 8.0</b>   | 27280401 |
| <b>ECl@ss 8.1</b>   | 27280401 |

|                       |          |
|-----------------------|----------|
| <b>ECI@ss 9.0</b>     | 27280401 |
| <b>ETIM 6.0</b>       | EC002998 |
| <b>UNSPSC 16.0901</b> | 52161523 |

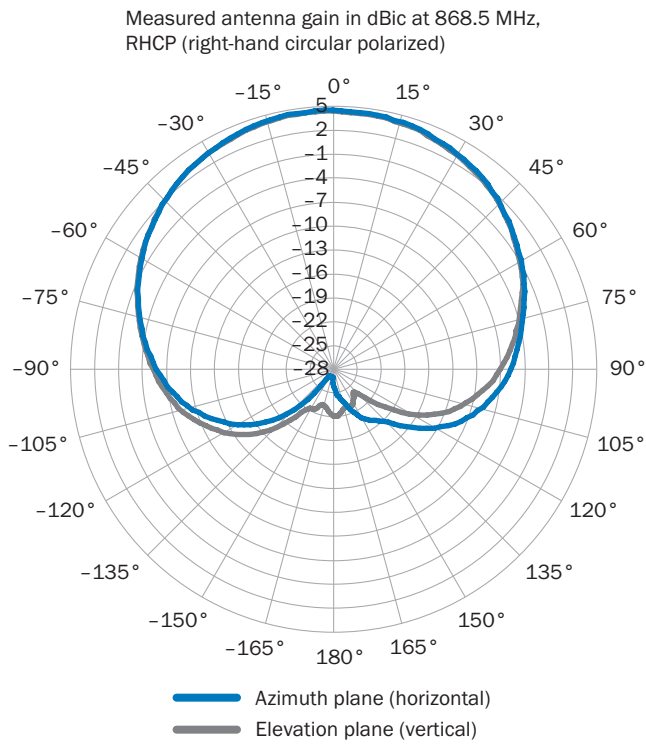
Dimensional drawing (Dimensions in mm (inch))

RFU62x





- ① "Power/AUX/CAN/I/O" connection, 17-pin M12 male connector, A-coded
- ② "Ethernet" connection, 4-pin M12 female connector, D-coded
- ③ "Ethernet" connection, 8-pin M12 female connector, X-coded
- ④ "Power/HOST/AUX/CAN/I/O" connection, 15-pin D-Sub HD male connector, cable 0,9 m
- ⑤ 4 x LED multi-color (process feedback)
- ⑥ 7 x LED for status display
- ⑦ Cover with integrated antenna
- ⑧ Screw (Torx T8), captive (2 x), for side cover
- ⑨ Side cover opened
- ⑩ USB socket, type Micro-B
- ⑪ Slot for microSD memory card
- ⑫ Blind hole thread M5, 9 mm deep (4 x), for alternatively mounting
- ⑬ Pressure compensation valve (ventilation element)
- ⑭ M6 blind tapped holes, 7 mm deep (2 x), for mounting



Radiation pattern



Recommended accessories

Other models and accessories → [www.sick.com/RFU62x](http://www.sick.com/RFU62x)

|   | Brief description  | Type             | Part no. |
|---|--|------------------|----------|
| <b>Mounting brackets and plates</b>   |  |                  |          |
|  | Simple mounting bracket  | Mounting bracket | 2071067  |
| <b>Modules</b>  |  |                  |          |
|   | Small connection module for one sensor, 4 cable glands, base for CMC600  | CDB620-001       | 1042256  |
|   | Fieldbus proxy/gateway for connecting identification sensors to PROFIBUS-DP networks (PROFIBUS interface: 2 x M12, male connector/female connector, 5-pin) | CDF600-2100      | 1058965  |
|   | Fieldbus proxy/gateway for connecting one identification sensor to PROFINET-IO networks (interface 2 x M12, female connector/female connector, 4-pin)      | CDF600-2200      | 1062460  |
| <b>Plug connectors and cables</b>   |  |                  |          |
|  | Head A: male connector, USB-A<br>Head B: male connector, Micro-B<br>Cable: USB 2.0, unshielded, 2 m  | USB cable        | 6036106  |

|   | Brief description  | Type   | Part no. |
|---|--|--|----------|
| Storage media   |  |  |          |
|  | Code for activating the SICK AppSpace functions. MicroSD memory card with 1 GB for industrial use. | SDK6U-P00100<br>SICK AppSpace                | 1076012  |
| RFID transponder  |  |  |          |
|  | UHF transponder, global, thermoplastic, 51.5 mm x 47.5 mm x 10 mm, Impinj Monza 4 QT               | On-metal transponder (52 mm x 48 mm x 10 mm) | 6052346  |

## SICK AT A GLANCE

SICK is one of the leading manufacturers of intelligent sensors and sensor solutions for industrial applications. A unique range of products and services creates the perfect basis for controlling processes securely and efficiently, protecting individuals from accidents and preventing damage to the environment.

We have extensive experience in a wide range of industries and understand their processes and requirements. With intelligent sensors, we can deliver exactly what our customers need. In application centers in Europe, Asia and North America, system solutions are tested and optimized in accordance with customer specifications. All this makes us a reliable supplier and development partner.

Comprehensive services complete our offering: SICK LifeTime Services provide support throughout the machine life cycle and ensure safety and productivity.

For us, that is “Sensor Intelligence.”

## WORLDWIDE PRESENCE:

Contacts and other locations –[www.sick.com](http://www.sick.com)