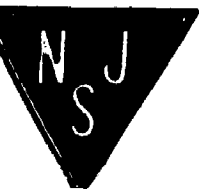
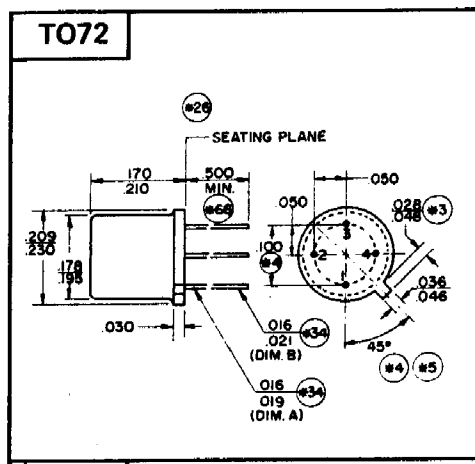


Darlington Amplifiers

Type	Polarity	Maximum Ratings				Electrical Characteristics @ 25° C					C <sub>ob</sub> pF Max	Package
		P <sub>D</sub> Ambient mW	V <sub>CB</sub> Volts	V <sub>CE</sub> Volts	V <sub>EB</sub> Volts	HFE @ I <sub>C</sub>		V <sub>CE(Sat)</sub> @ I <sub>C</sub> /I <sub>B</sub>		f <sub>t</sub> MHz Min		
						Min/Max	mA	Volts	mA/mA			
2N997	NPN	500	75	40	7	7000/70,000	100	1.6	100/10	60	30	TO-72
2N998	NPN	500	100	60	15	1600/8000	10	1.8	100/10	60	30	TO-72
2N999	NPN	500	60	60	15	7000/70,000	100	1.6	100/10	60	20	TO-72
2N2723	NPN	500	80	60	12	2000/10,000	10	1.0	10/1	100	10	TO-72
2N2724	NPN	500	80	60	12	7000/50,000	10	1.0	10/1	100	10	TO-72
2N2725	NPN	500	45	45	10	2000/10,000	0.1	1.0	10/1	100	10	TO-72
2N2785	NPN	500	60	40	15	2000/2000	100	1.0	15/3	10	30	TO-72



NJ Semi-Conductors reserves the right to change test conditions, parameter limits and package dimensions without notice. Information furnished by NJ Semi-Conductors is believed to be both accurate and reliable at the time of going to press. However NJ Semi-Conductors assumes no responsibility for any errors or omissions discovered in its use. NJ Semi-Conductors encourages customers to verify that datasheets are current before placing orders.