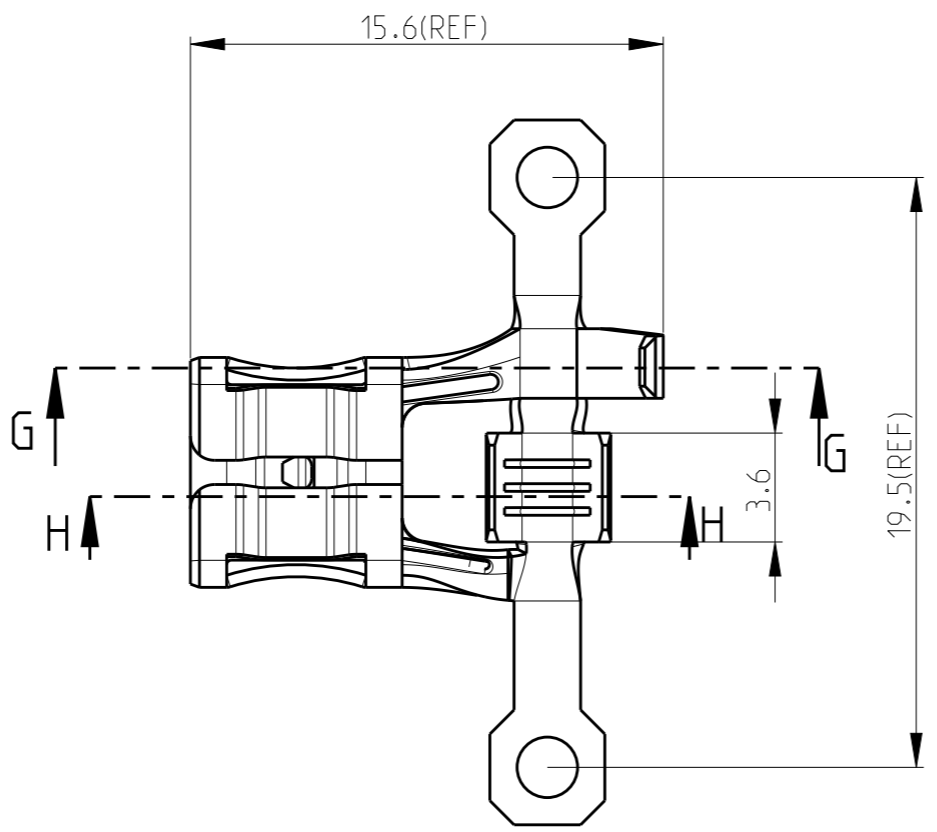
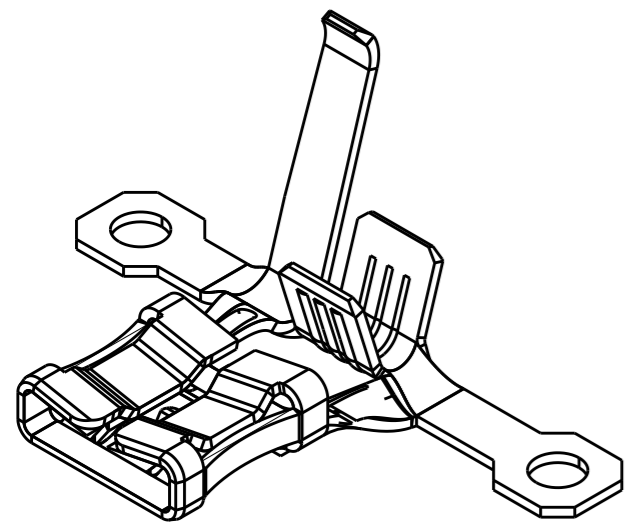
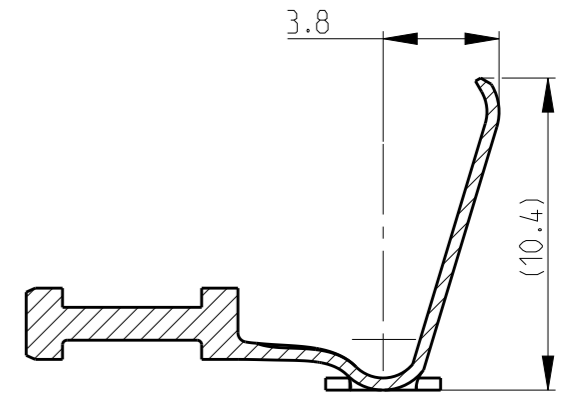
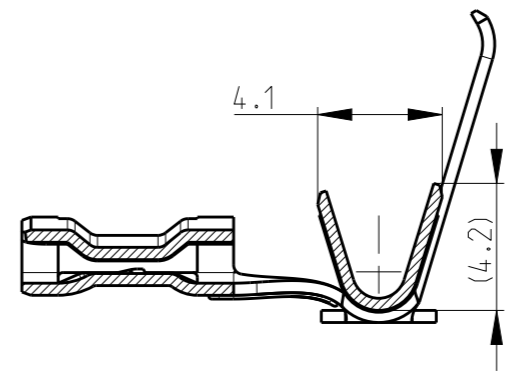
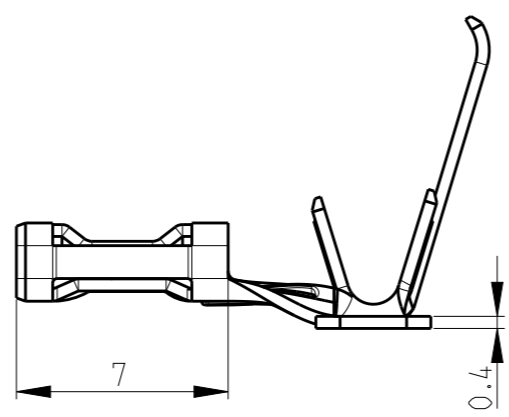
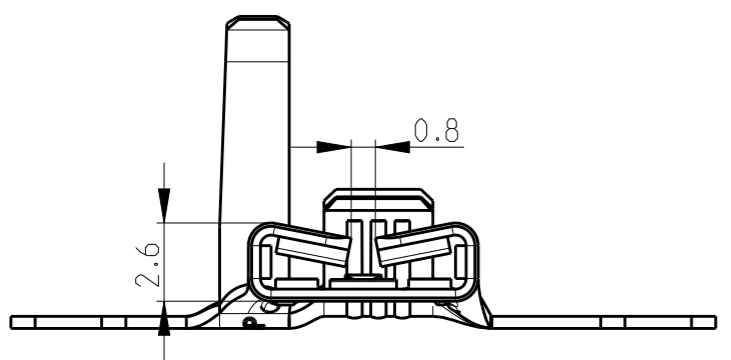


THIS DRAWING IS UNPUBLISHED. RELEASED FOR PUBLICATION 20
 © COPYRIGHT 20 BY TYCO ELECTRONICS CORPORATION ALL RIGHTS RESERVED.

LOC	DIST	REVISIONS					
		P	LTR	DESCRIPTION	DATE	DWN	APVD
-	-		A	RELEASE PER ECR-14-018864	24DEC2014	DL	TD
			A1	RELEASE PER ECR-15-004911	31MAR2015	DL	TD
			A2	RELEASE PER ECR-15-013713	21SEP2015	DL	TD



- NOTE:
1. CONTINUOUS STRIP ON REELS
 2. MATING TAB ACCORDING TO UL310 AND IEC61210 NORM. (WIDTH*THICKNESS IS 6.3*0.8 mm)
 3. WIRE SIZE IS #16-#12 AWG(1.5-3.3 sqmm)
 4. INSULATION RANGE IS Ø2.7-3.8mm
 5. CUT-OFF LENGTH IS 0.5mm MAX.



SECTION H-H

SECTION G-G

Pre-NICKEL	Steel	2178439-1
FINISH	MATERIAL	PART NO.

THIS DRAWING IS A CONTROLLED DOCUMENT.	
DIMENSIONS: mm	TOLERANCES UNLESS OTHERWISE SPECIFIED:
	0 PLC ±0.5
	1 PLC ±0.5
	2 PLC ±0.25
	3 PLC ±
	4 PLC ±
	ANGLES ±1°
MATERIAL SEE TABLE	FINISH SEE TABLE

DWN	VIBHUTHI	29NOV2012
CHK	SUBHASH M	29NOV2012
APVD	SURESH T N	29NOV2012
PRODUCT SPEC	108-64027	
APPLICATION SPEC	114-64027	
WEIGHT	-	
Customer Drawing		

TE Connectivity		NAME	
		6.3 SRS FLAG F-SPRING LIF RECEPTACLE	
SIZE	CAGE CODE	DRAWING NO	RESTRICTED TO
A3	00779	©=2178439	-
SCALE 4:1		SHEET 1 OF 1	REV A2