

EFRP-S287

280W ERP1U Redundant Power Module

Features:

- High Efficiency $\geq 80\%$
- 280W with +12V, -12V and +5VSB Output
- 0~40°C Working Temperature
- Small Form Factor

General Specification

- Input Range: 100 to 240 VAC, +/-10%
- Power Factor: ≥ 0.95 minimum
- Efficiency: $\geq 80\%$ @ 115VAC
- Hold Up Time: 18ms @ 80% Load
- Short Circuit Protection
- Over Current Protection
- Over Voltage Protection
- No load Operation
- Over Temperature Protection
- MTBF >100,000 Hours@25°C
- Operating Temperature: 0 to 40 °C
- Operating Humidity: 20 to 90 %
- EMI/RFI: CE, FCC class B
- Safety: UL, CB, TUV, CCC, BSMI



Input and Output Characteristics

Input			Output			
Voltage	Frequency	Current	Load	+12V	-12V	+5VSB
100~240 VAC	47~63Hz	4~2A	Max.Load	22A	0.5A	2A
			Min.Load	0.8A	0A	0A

Note:1: The total outputs shall not exceed 280W.

2: Noise bandwidth is from DC to 20 MHz

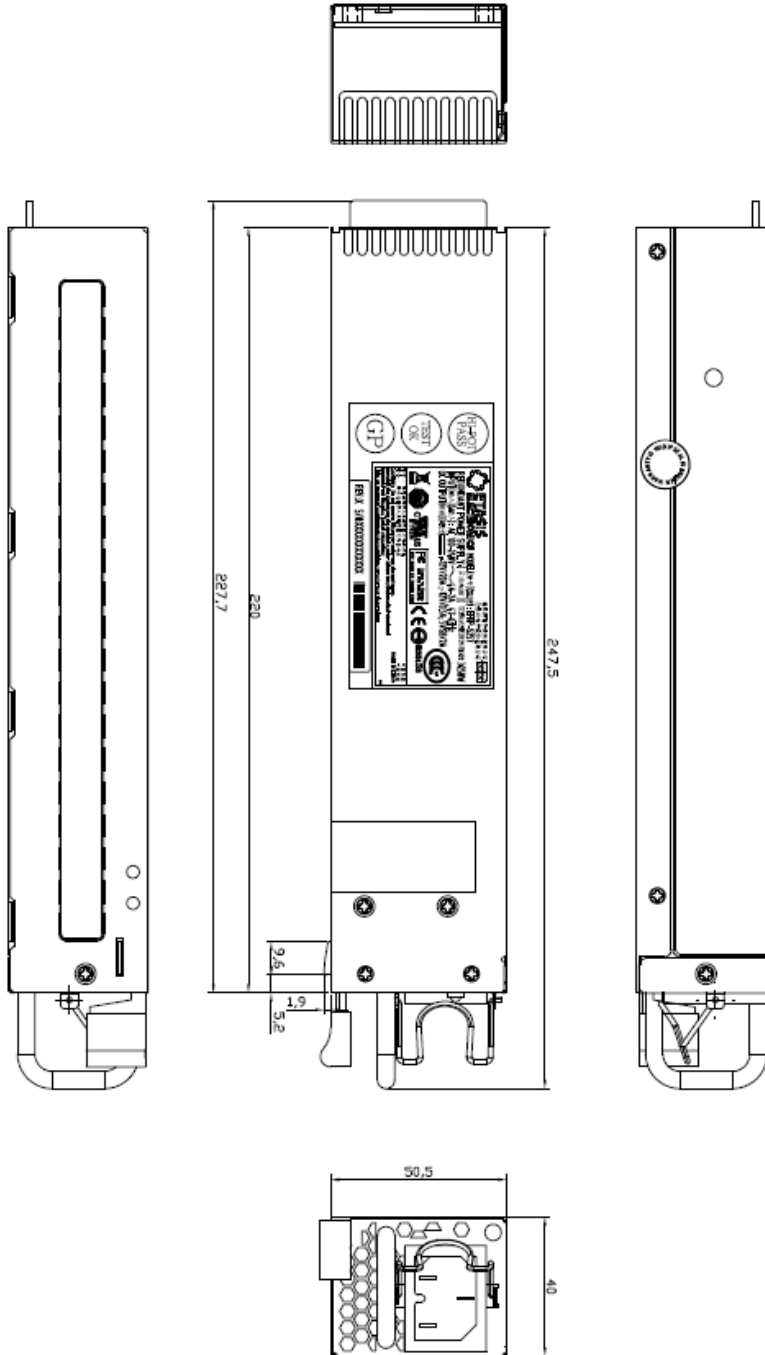
Ripple and Noise

Output	+12V	-12V	5Vsb
Load Regulation	$\pm 5\%$	$\pm 5\%$	$\pm 5\%$
Line Regulation	$\pm 1\%$	$\pm 1\%$	$\pm 1\%$
Ripple & Noise	120mV	120mV	60mV

Mechanical

Outline Dimension: 50.5x40x220(mm)

Outline Drawing



©ETASIS Electronic Corporation. All rights reserved. ETASIS Electronics Corporation reserves the right to make changes to their products, specification, or to discontinue any product and its service at anytime without notice. The information and specification from ETASIS is believed to be accurate and reliable. However, ETASIS assumes no responsibility for any business loss due to specification changes. ETASIS products are not designed to be used in system deemed to be critical, or in any system wherein failure or malfunction could result in injury or death.