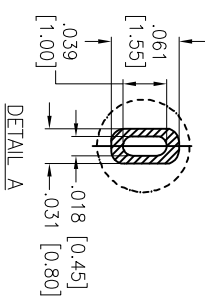
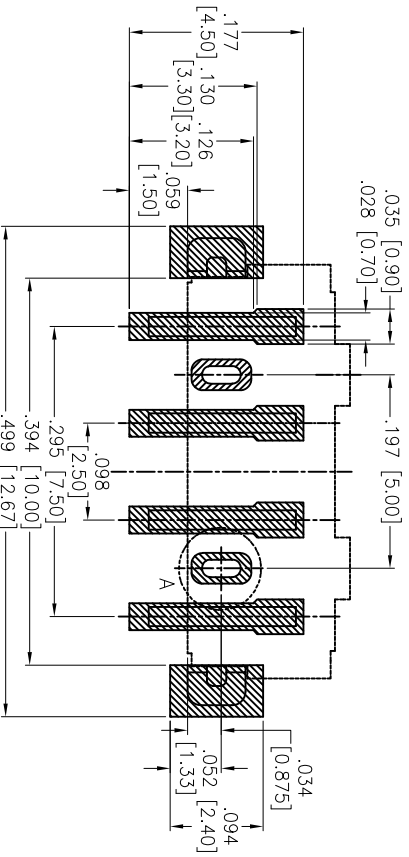
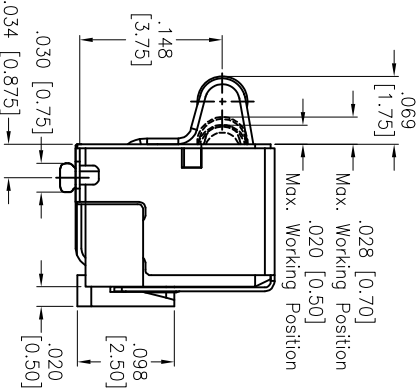
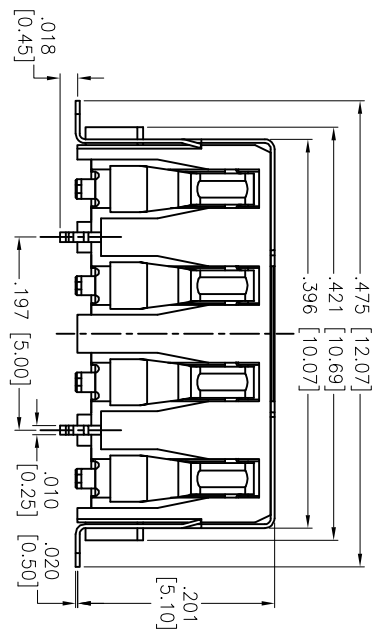
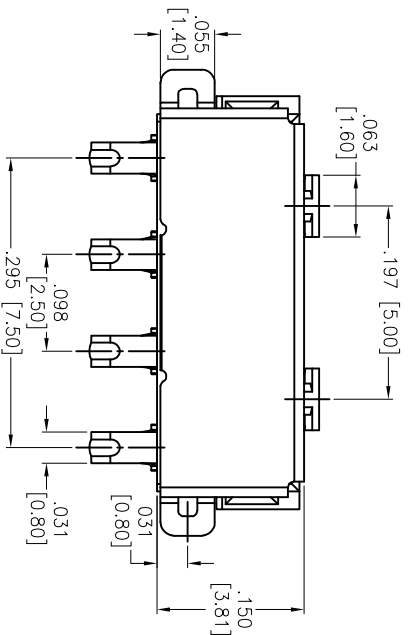


Rev	AWO #	Description	Date	Appr
-		RELEASED	04/18/13	

APPROVED: _____
 DATE: _____ TITLE: _____



RECOMMENDED PCB LAYOUT

PACKAGED ON TAPE & REEL

SPECIFICATION:

Material:
 Insulator: Hi-Temp Thermoplastic, Rated UL-94V-0
 Insulator color: Black
 Contacts: Copper Alloy
 Shell: Brass, Tin plated
Contact Plating:
 Gold flash over Nickel underplate overall,
Electrical:
 Operating voltage: 15V DC max
 Current rating: 2 AMP
 Contact resistance: 20 Mohms max
 Insulation resistance: 1,000 Mohms min
 Dielectric withstanding voltage: 500V DC / minute
 Temperature Rating:
 Operating temperature range: -40°C to +85°C
 Environmental:
 Lead free, RoHS compliant.

ADAM TECH

909 Rahway Avenue, Union, NJ 07083
 Phone: 908-687-5000 Fax: 908-687-5710

MOBILE BATTERY CONNECTOR, 4 PINS
 .098" [2.50] PITCH, SMT TYPE, GOLD PLATED

UNLESS OTHERWISE SPECIFIED ALL DIMENSIONS ARE INCHES [MM]	
TOLERANCES EXCEPT AS NOTED	
INCHES	HOLDS
.X ± .10	± .10
.XX ± .020	± .015
.XXX ± .015	± .010
APPROVALS	
DRAWN	TW
CHECKED	GC
APPROVED	
DATE	DATE
04/18/13	04/18/13

REF: S0003T	SCALE: NTS	SHEET 1 OF 1
SIZE X	PART NO. MBC-R-04-T/R	REV. -
TITLE: MOBILE BATTERY CONNECTOR, 4 PINS		
.098" [2.50] PITCH, SMT TYPE, GOLD PLATED		

