

6

5

4

3

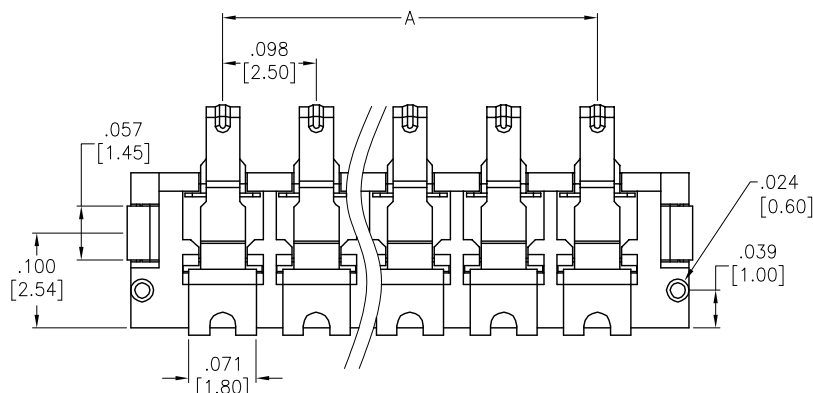
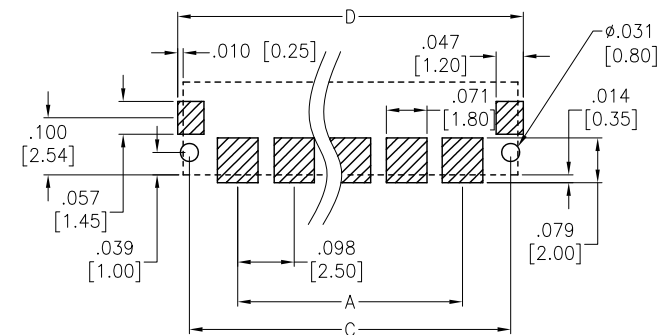
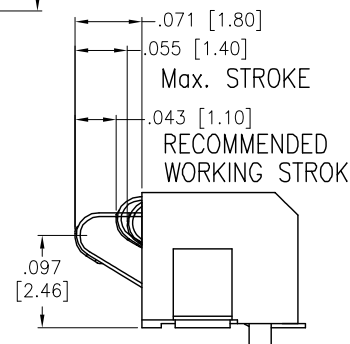
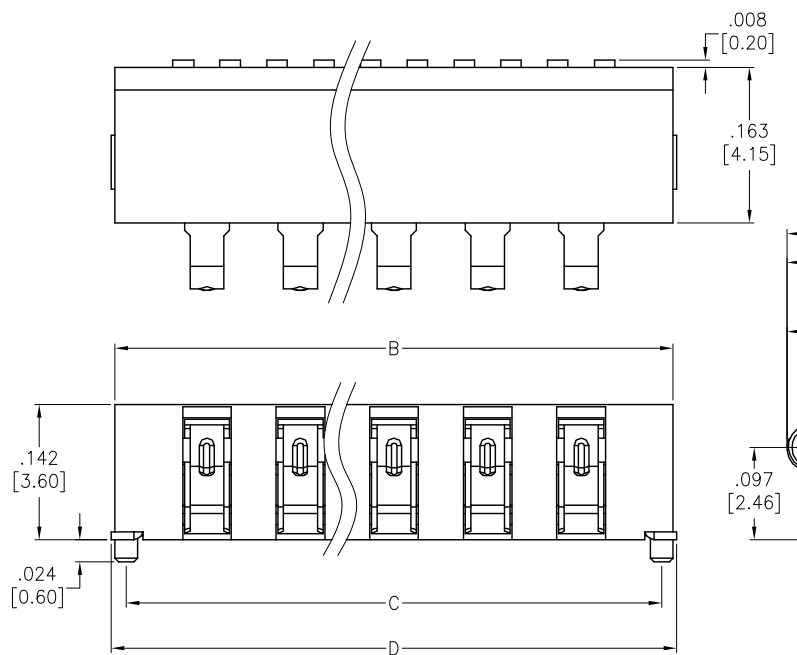
2

1

APPROVED: \_\_\_\_\_

DATE: \_\_\_\_\_ TITLE: \_\_\_\_\_

Rev	AWO #	Description	Date	Appr
-		RELEASED	4/27/16	



PACKAGED ON TAPE & REEL  
 Positions: 02 thru 08  
 A = .098 [2.50] x No. of Spaces  
 B = .098 [2.50] x No. of Spaces + .193 [4.90]  
 C = .098 [2.50] x No. of Spaces + .169 [4.30]  
 D = .098 [2.50] x No. of Spaces + .201 [5.10]

**SPECIFICATIONS:**  
 Material:  
 Insulator: Hi-temp thermoplastic, rated UL 94V-0  
 Insulator color: Black  
 Contacts: Copper Alloy  
 Tab: Copper Alloy  
 Plating:  
 Gold flash over Nickel underplate overall  
 Electrical:  
 Voltage rating: 100 VDC max  
 Current rating: 1 Amps max  
 Contact resistance: 50 mohms max  
 Insulation resistance: 500 Mohms min @ 500 VDC  
 Dielectric withstanding voltage: 500 VAC for 1 minute  
 Mechanical:  
 Temperature Rating:  
 Operating temperature: -30°C to +85°C  
 Environmental:  
 Lead free, RoHS compliant.



UNLESS OTHERWISE SPECIFIED  
 ALL DIMENSIONS ARE INCHES [MM]  
 TOLERANCES: EXCEPT AS NOTED

INCHES		HOLES	
.X	± .10	Ø.X	± .10
.XX	± .020	Ø.XX	± .015
.XXX	± .015	Ø.XXX	± .010

**ADAM TECH**  
 909 Rahway Avenue, Union, NJ 07083  
 Phone: 908-687-5000 Fax: 908-687-5710

APPROVALS		DATE
DRAWN	AY	4/27/16
CHECKED	LW	4/27/16
APPROVED		

TITLE		
.098 [2.50] PITCH MOBILE BATTERY CONNECTOR		
2~8PINS, SMT TYPE, GOLD PLATED		
SIZE	PART NO.	REV.
X	MBC-W-XX-T/R	-
REF:	S00232T	SCALE: NTS SHEET 1 OF 1

6

5

4

3

2

1