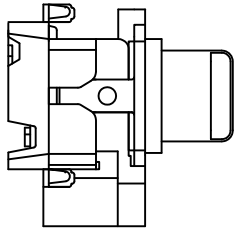
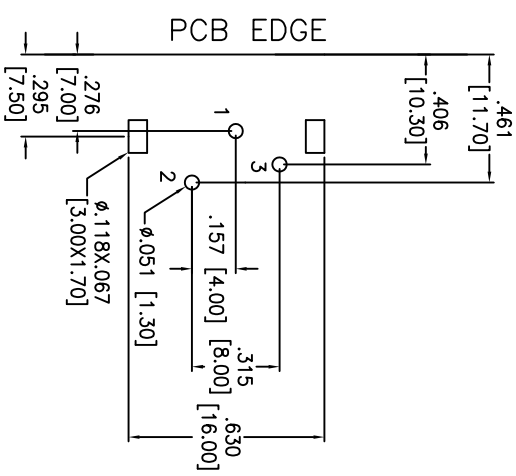
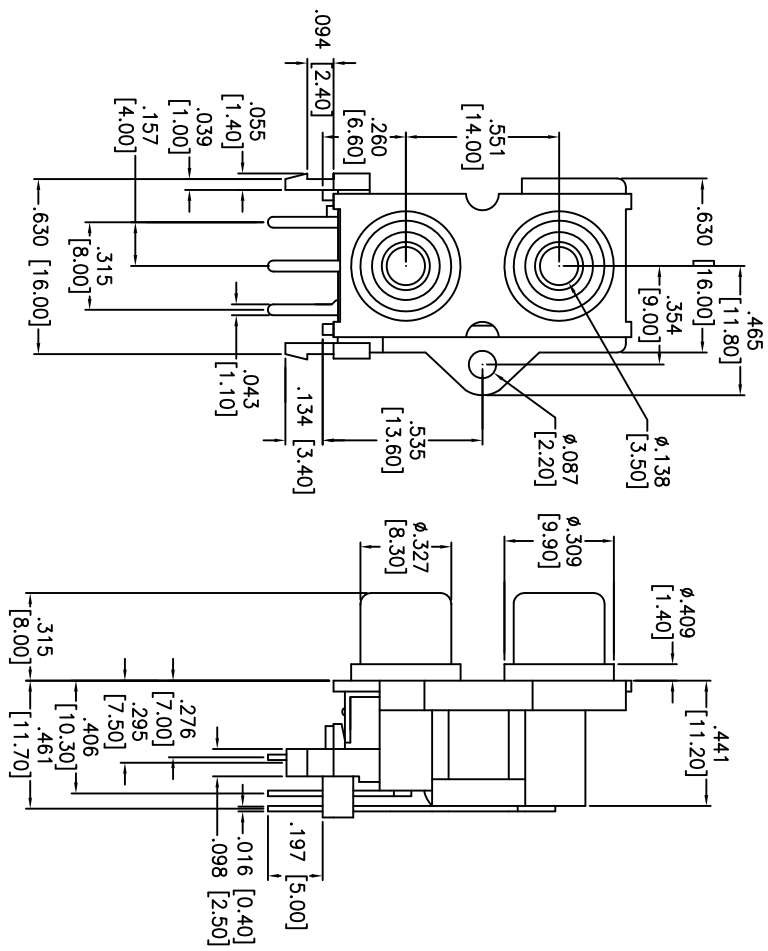


Rev	AWO #	Description	Date	Appr
-		RELEASED	12/02/09	

APPROVED: _____ DATE: _____ TITLE: _____



SCHEMATIC	
TOP	1 2
BOTTOM	1 3

ADAM P/N	A	B
RCA-8-1-W/R	WHITE	RED
RCA-8-1-R/W	RED	WHITE
RCA-8-1-Y/Y	YELLOW	YELLOW
RCA-8-1-B/B	BLACK	BLACK

JACKS A AND B CAN BE ANY COMBINATION OF AVAILABLE COLORS

SPECIFICATIONS:
 Material: _____
 Housing: ABS, color White
 Top cover: ABS, color Black
 Ring: PBT, color Red, White, Yellow, Black
 Terminal: Brass, Tin plated
 Barrel: Brass, Nickel plated
 Electrical:
 Operation voltage: 30V DC max.
 Current rating: 1 Amp max
 Contact resistance: 50 mohms max.
 Insulation resistance: 100 Mohms min
 Dielectric withstanding voltage: 500 VAC for 1 minute
 Temperature rating:
 Operating temperature: -25°C to +80°C
 Environmental:
 Lead free, RoHS compliant.
 Recommended soldering temp: 235°C for 5 sec.
 Packaging:
 Anti-ESD plastic bags



ADAM TECH

909 Railway Avenue, Union, NJ 07083
 Phone: 908-687-5000 Fax: 908-687-5710

RCA JACK, 2 PORTS, GANGED

UNLESS OTHERWISE SPECIFIED ALL DIMENSIONS ARE INCHES [MM] TOLERANCES: EXCEPT AS NOTED	
INCHES	HOLDS
.X ± .10	ØX ± .10
.XX ± .020	ØXX ± .015
.XXX ± .015	ØXXX ± .010
APPROVALS	DATE
DRAWN	12/02/09
CHECKED	
APPROVED	
SIZE	PART NO.
X	RCA-8-1-X/X
REF: S00095T	SCALE: NTS
	SHEET 1 OF 1