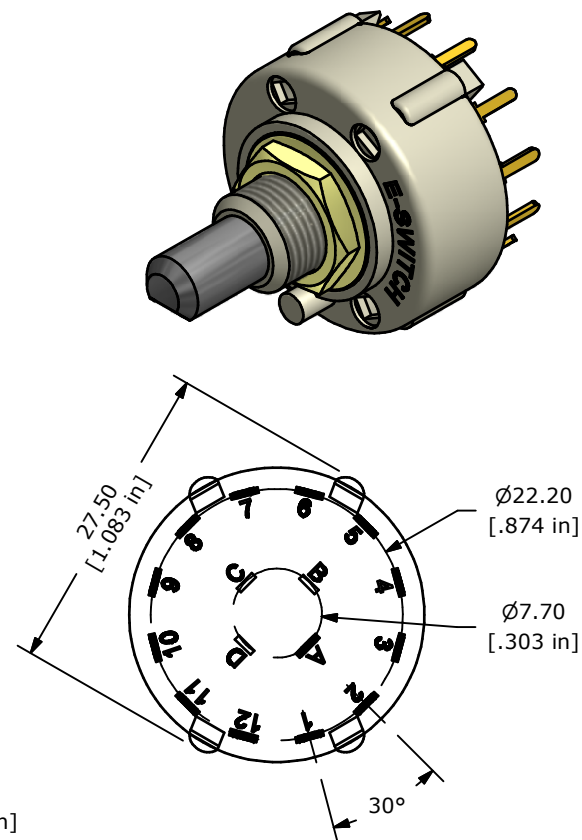
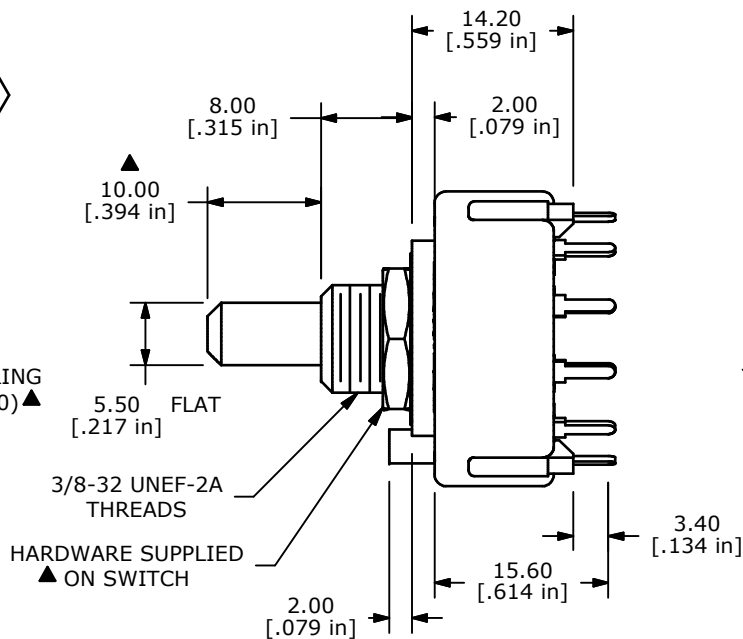
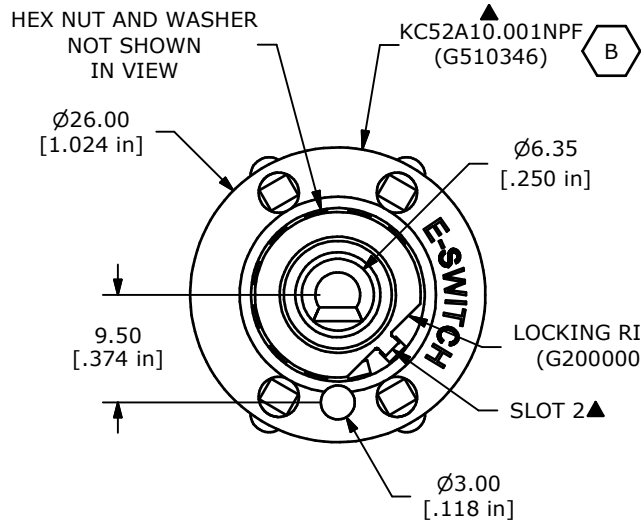




CONTACT CONFIGURATION
TIMING (BBM) NON-SHORTING



NOTE:

1. ALL DIMENSIONS IN MM[INCH].
2. GENERAL TOLERANCE: X.X=± 0.4
X.XX=± 0.25
3. TERM. NOS. FOR REFERENCE ONLY.
- ▲**4. CONTACT MATERIAL: GOLD FLASH OVER SILVER
5. CONTACT RATING: 150MILLIAMP, 250VAC/DC
350MILLIAMP, 110VAC/DC
6. CONTACT RATING (NON-SWITCHING) 5A
7. OPERATING TORQUE 800± 300 g-cm
8. OPERATING TEMP: -30°C TO 85°C
- ▲**9. CIRCUIT SP: 12 POSITION 30° INDEX (LOCKRING LIMITED TO 2 POSITION).
10. DIELECTRIC STRENGTH: 1000V RMS MIN.@ SEA LEVEL.
- ▲**11. HARDWARE SUPPLIED ON SWITCH:
LOCKWASHER, HEXNUT, STOP RING (TAB IN POSITION 2)
12. **▲** DENOTES CRITICAL PARAMETER.
13. 2002/95/EC (ROHS) COMPLIANT



B	21392	CORRECT BASE SWITCH PART NUMBER	3/4/14	EBP
A	21105	RELEASED FOR PRODUCTION	4/17/13	EBP
REV	PCR NO	DESCRIPTION	DATE	BY

TITLE KC52A10.001NPF W/LOCKRING				
SCALE	DATE	DR	DWG	REV
	4/17/2013	EBP	XG0010P	B

THE INFORMATION CONTAINED IN THIS DOCUMENT IS PROPRIETARY TO E-SWITCH AND IS NOT TO BE COPIED OR TRANSFERRED