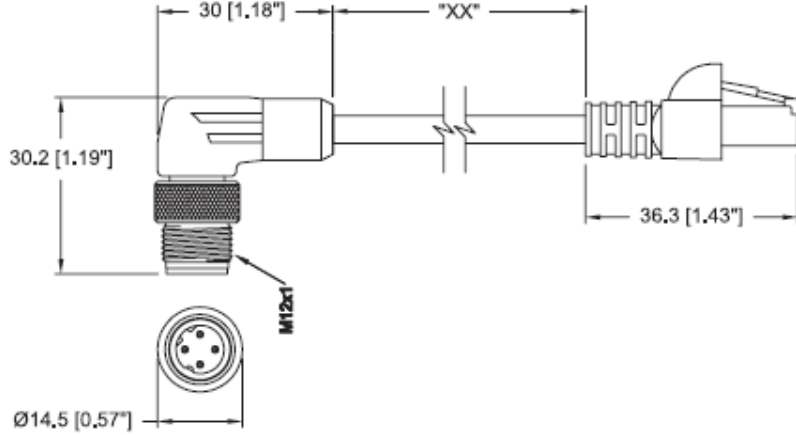


Drawings



Technical Data

Issue: 1 Issue Date: 7/29/2016 Effective Date: 7/29/2016

Cordage Construction		Diameters (In)
Cordage Part Number	117	
Component	2 PAIR	
a) Conductor	24 (7/32) AWG Tinned Copper	0.024
b) Insulation	0.008" Wall, Nom. Polyolefin	0.040
Insulation Colors	White/Orange - Orange, White/Green - Green	
c) Pair	2/Cond Cabled Together, Staggered Lays	
Cable Assembly	2 Components Cabled	
a) Twists	4.8 Twists/foot (min)	
Jacket	0.035" Wall, Nom. TPE	0.246
a) Color(s)	TEAL	
Cord Configuration		
End 1	M12 Male 90 Degree	
Insert	Black TPU	
Molded Body	Black TPU	
Contact	Copper Alloy, gold plated	
Coupling Nut	Copper Alloy, nickel plated	
End 2	RJ45 Male	
Boot	Elastomer Polyolefin	
Contact	Copper Alloy, gold plated	
Plug	Polycarbonate	
Available Lengths	0.6, 1, 3, 5, 10, 15, 20 Meters	
Applicable Specifications-Cable		

UL	CMR	75°C
CSA International	CMG	75°C
Applicable Specifications- Cord Set		
Ingress Protection	IP68 / IP20	
Environmental Compliance		
CE	All materials used in the manufacture of this part meet the requirements of European Directive 2011/65/EU regarding the restriction of use of certain hazardous substances in electrical and electronic equipment. Exemption used; 6a.	
REACH Regulation (EC 1907/2006)	This product does not contain Substances of Very High Concern (SVHC) listed on the European Union's REACH candidate list in excess of 0.1% mass of the item.	
Physical & Electrical Properties		
Temperature Range, Cord	-40 to 75°C(operating), -25 to 75°C (installation)	
Temperature Range, Cord Set	-20 to 60°C	
Bend Radius	10X Cable Diameter (2 million cycles), 20X Cable Diameter (10 million cycles)	
Voltage Rating	30Vac / 42Vdc	
Current Rating	1.6 Amps	
Ordering Information		
DW04QR117 TL355	0.6 Meters	
DW04QR117 TL356	1.0 Meters	
DW04QR117 TL357	3.0 Meters	
DW04QR117 TL358	5.0 Meters	
DW04QR117 TL359	10.0 Meters	
DW04QR117 TL400	15.0 Meters	
DW04QR117 TL401	20.0 Meters	
Standard Package	Each	

Although Alpha Wire ("Alpha") makes every reasonable effort to ensure their accuracy at the time of this publication, information and specifications described herein are subject to error or omission and to change without notice, and the listing of such information and specifications does not ensure product availability. Alpha provides the information and specification herein on an "AS IS" basis, with no representations or warranties, whether express, statutory or implied. In no event will Alpha be liable any damages (including consequential, indirect, incidental, special, punitive, or exemplary damages) whatsoever, even if Alpha has been advised of the possibility of such damages, whether in an action under contract, negligence or any other theory, arising out of or in connection with the use, or inability to use, the information or specification described herein.