

DETAILS

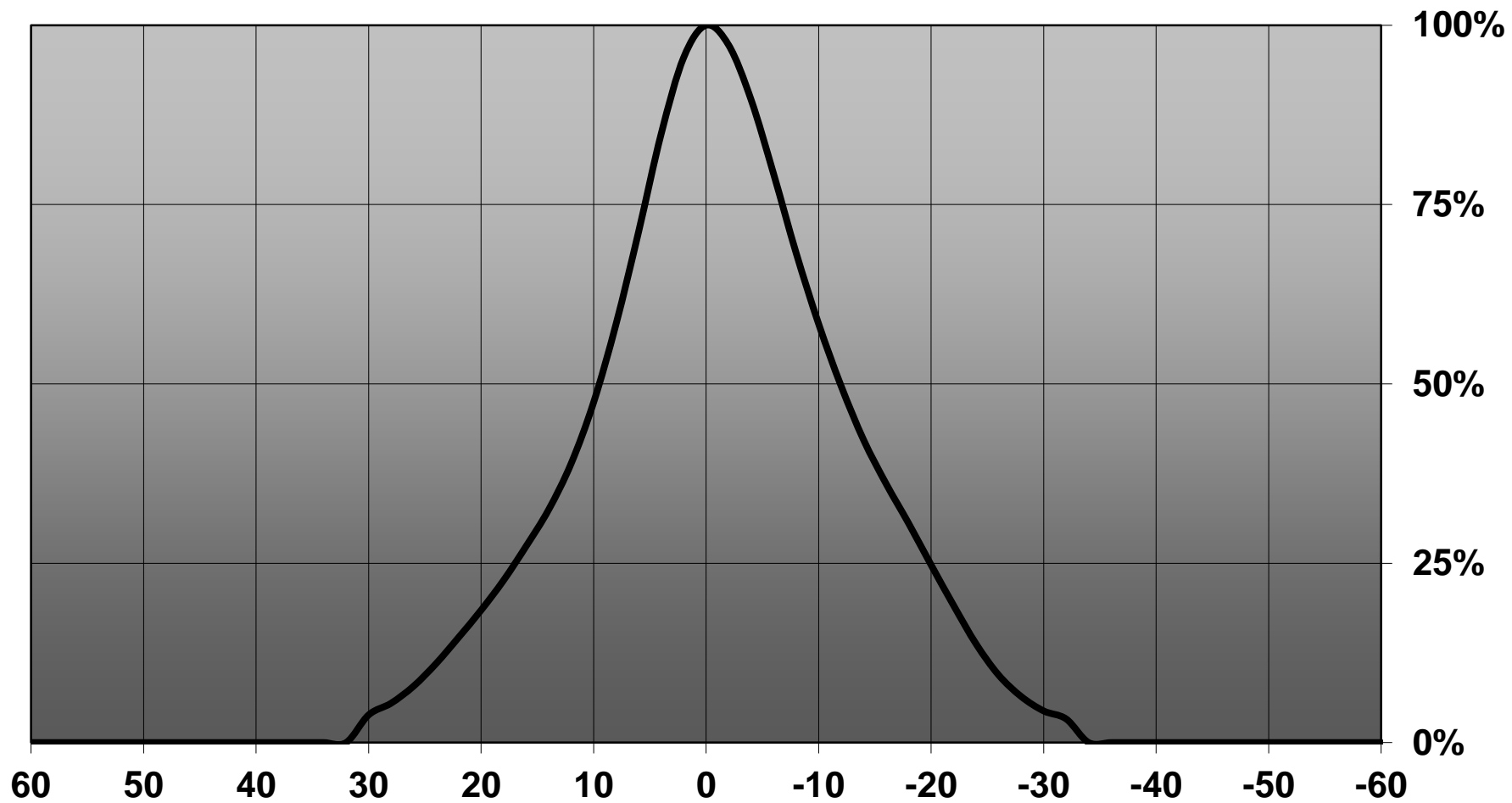
Product Number	FCA14961_G2-NIS033U-W-PIN
Family	Rose
Type	Assembly
Color	black
Diameter	21,6 + 21,6 mm
Height	12,9 mm
Style	square
Optic Material	Silicone
Holder Material	
Fastening	tape, pin
Status	production ready
ROHS Compliant	Yes
Date Updated	17/01/2018



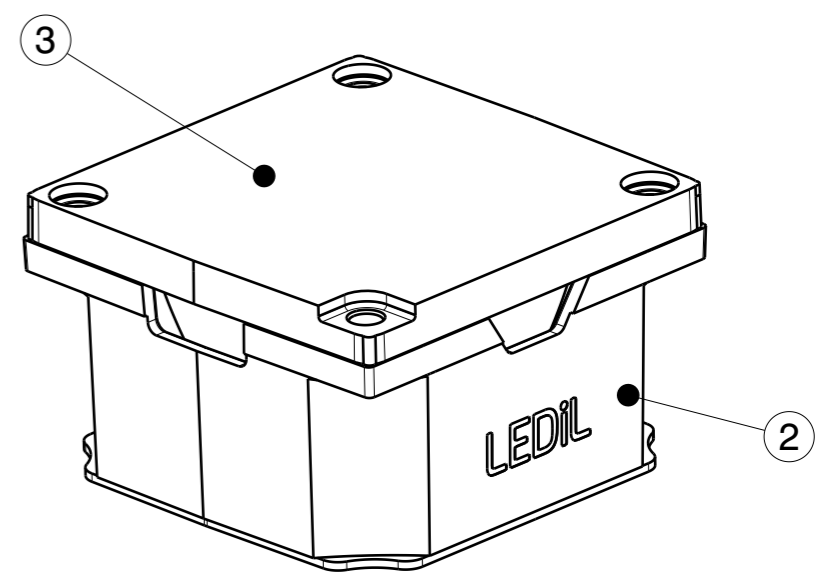
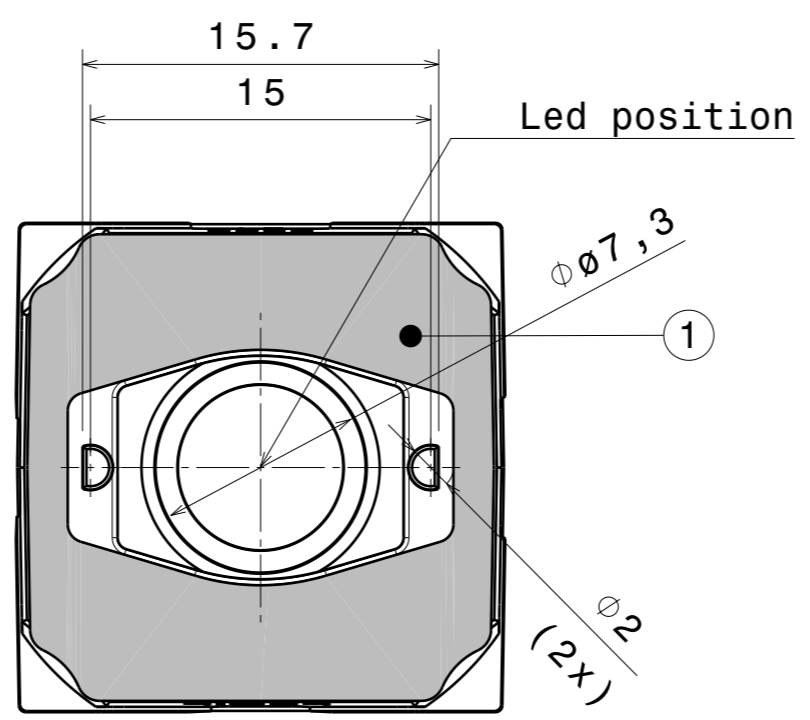
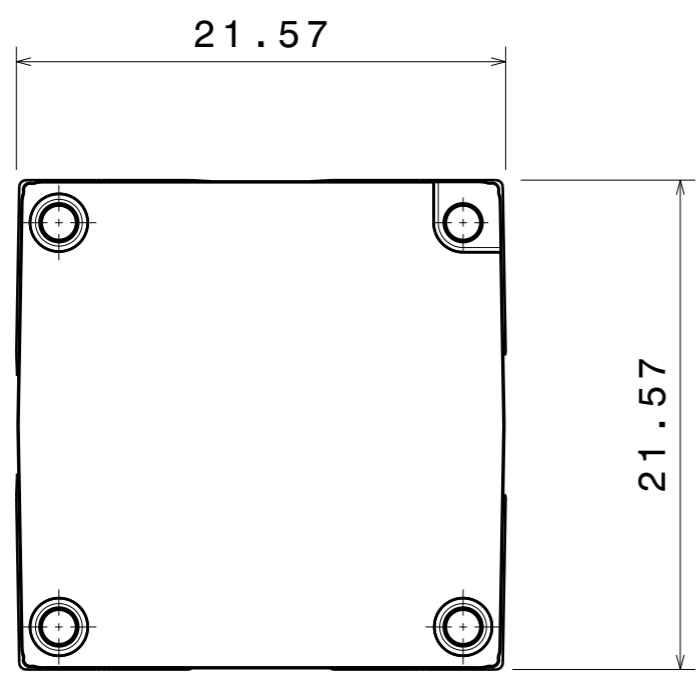
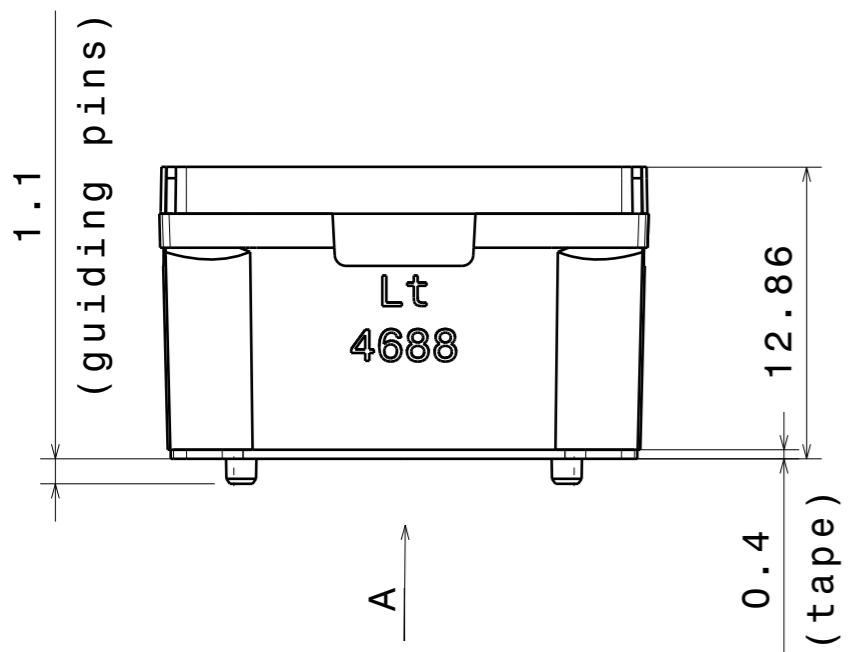
OPTICAL PROPERTIES

LED	Viewing	Light	Effi-		Connector
	Angle	Beam	ciency	cd/lm	
6060 1in1 (UV)	21 deg	Wide	-	-	-
NCSU033A	sim: 38	Wide	sim: 91 %	-	-

Relative intensity of FCA14961_G2-NIS033U-W-PIN_(LG_6060_1in1)



— 0,01966 W/m² @ 100mA



Isometric view

Direction A

INDEX	PART NO	DESCRIPTION	MATERIAL	COLOUR
1	C15050	ROSE-TAPE	PU 2-sided foam tape	adhesive
2	C14688	G2-ROSE-LT-HLD	Pc	black
3	F14463	ROSE-UV-W	LSR silicone	clear

Tolerances if not otherwise shown
 According to DIN ISO 2768-1
 Linear measures:
 up to 30mm class M, otherwise class C
 According to DIN ISO 2768-2
 Form and position: class L

LEDiL LediL Oy
 Salorankatu 10
 FIN 24240 SALO
 Finland

THIRD ANGLE PROJECTION:

DRAWING TITLE
FCA14961_G2-NIS033U-W-PIN

This drawing is the property
 of LEDiL Oy. It may not be
 reproduced, copied or
 communicated without a written
 agreement with LEDiL Oy.

SIZE PART NUMBER
A3 FCA14961

SCALE 3:1 WEIGHT 9 g SHEET 1/1

NOTE: The typical divergence will be changed by different color, chip size and chip position tolerance. The typical total divergence is the full angle measured where the luminous intensity is half of the peak value.