

# GOB91K50

## Bi-DIRECTIONAL THREE PHASE AC-DC BRIDGE

- Fuse protection
- Blown fuse indicators with microswitch
- Over temperature switches
- Fan loss detection circuit
- Snubber for SCR's protections
- Extractible devices for easy field service

**LINE VOLTAGE UP TO 1000V**  
**DC OUTPUT CURRENT 5000A**

### GOB91K50

Line to line voltage	<b>1000 V</b>
----------------------	---------------

Characteristic		Conditions			Value
I <sub>DC</sub>	DC output current				5000 A
V <sub>INS</sub> (rms)	Insulation voltage				3000 V

### THYRISTOR CHARACTERISTICS

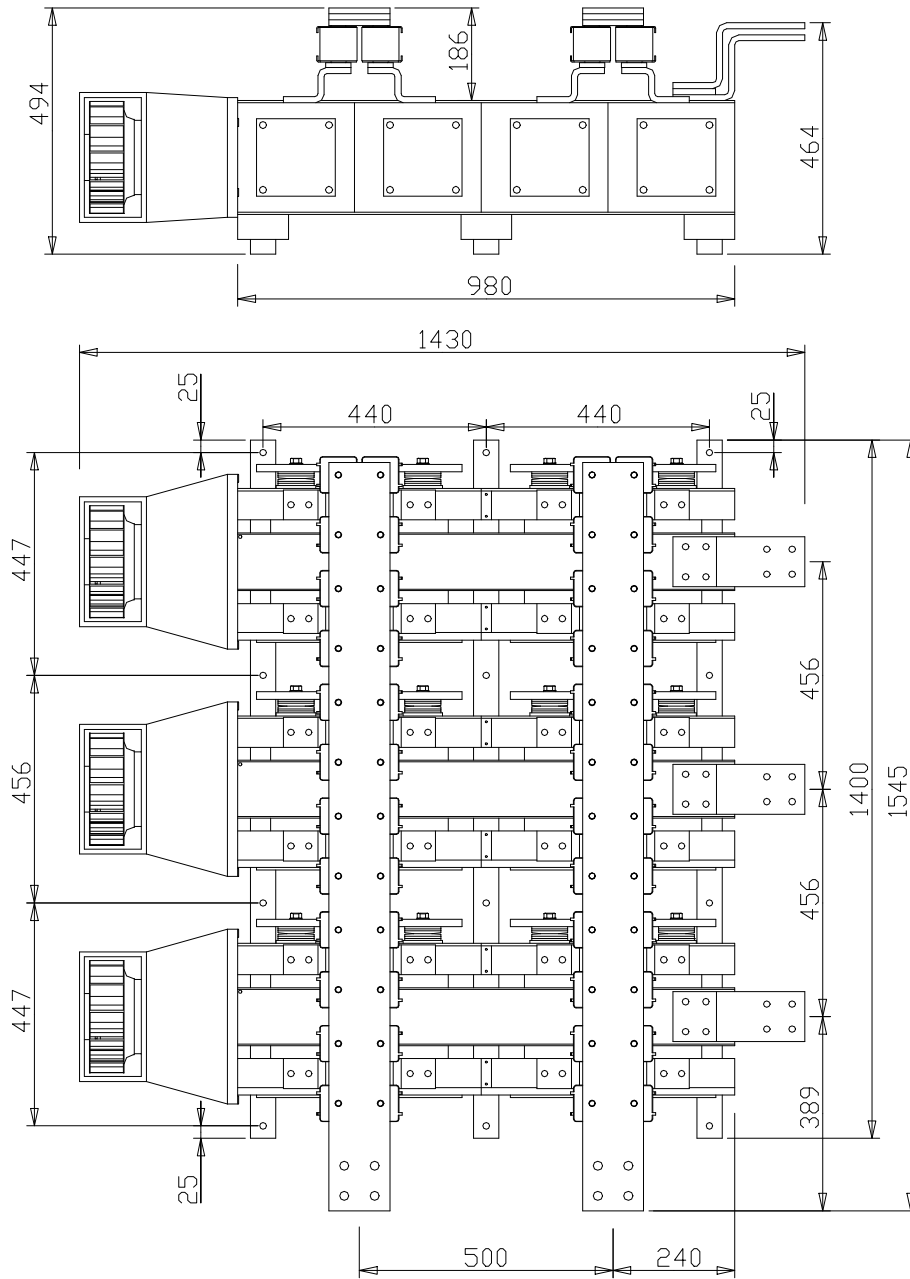
V <sub>GT</sub>	Gate trigger voltage	T <sub>j</sub> = 25 °C, V <sub>D</sub> = 5 V			3 V
I <sub>GT</sub>	Gate trigger current	T <sub>j</sub> = 25 °C, V <sub>D</sub> = 5 V			400 mA
dV/dt	Critical rate of rise off-state voltage	T <sub>j</sub> = 125 °C			1000 V/us
V <sub>RRM</sub>	Blocking Voltage	T <sub>j</sub> = 125 °C			2800 V

### FUSE TYPE SIBA 2078132.1000

V <sub>NF</sub>	Rated voltage				1250 V
I <sub>NF</sub>	Rated current				1000 A
P <sub>VF</sub>	Power loss	At rated current			150 W
I <sup>2</sup> <sub>t</sub>	Total I <sup>2</sup> t	At 1000 V			1900 kA <sup>2</sup> s

### MECHANICAL AND THERMAL CHARACTERISTICS

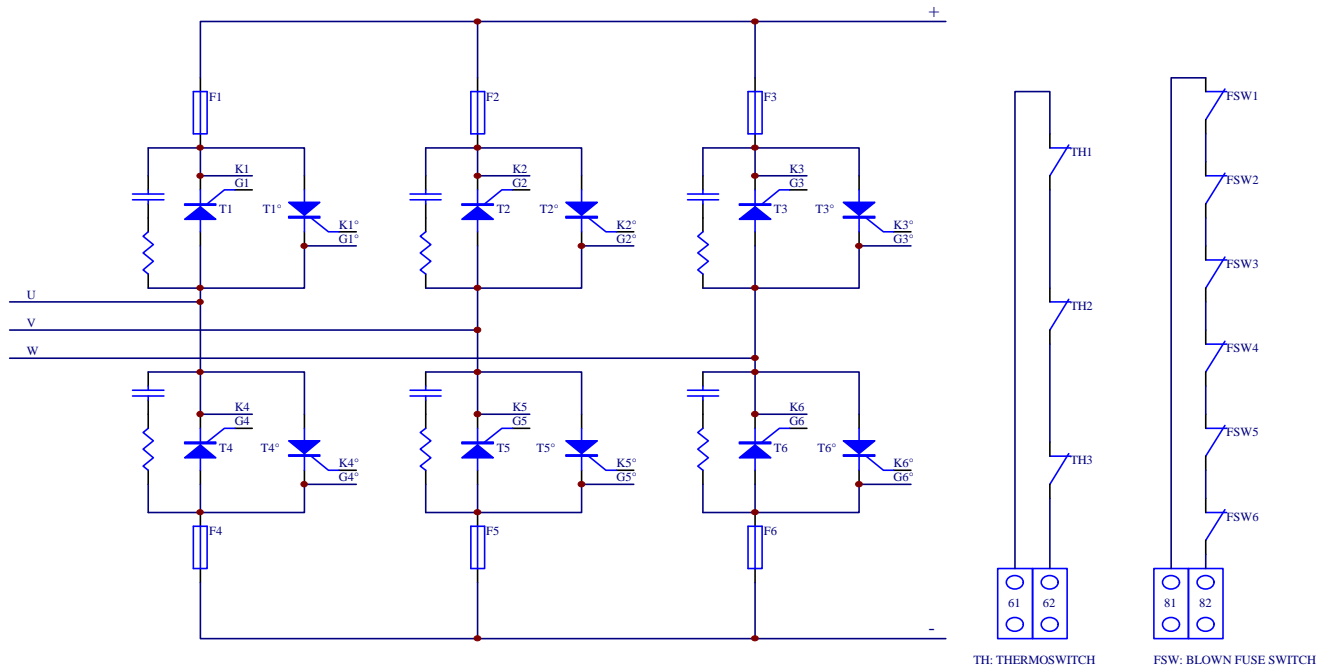
	Width				642 mm
	Depth				427 mm
	Height				1330 mm
	Mass				260 kg
T <sub>a max</sub>	Max amb. op. Temp.				40 °C
T <sub>stg</sub>	Storage temperature				-40/60 °C



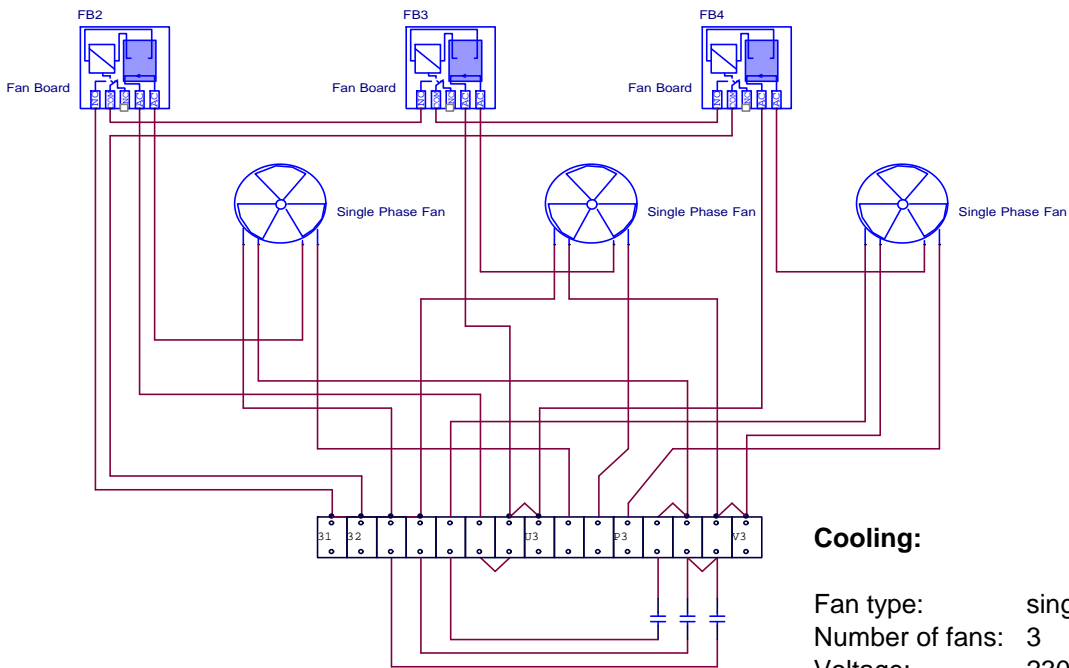
The part numbering system is reported at the beginning of the Open Assembly section.

Customisations are available on request. Please contact factory.

In the interest of product improvement Green Power Solutions reserves the right to change any specification given in this data sheet without notice.



61-62: THERMOSWITCH CIRCUIT CONNECTION  
81-82: BLOWN FUSE SWITCH CIRCUIT CONNECTION



**Cooling:**

- Fan type: single phase radial
- Number of fans: 3
- Voltage: 230 V
- Current: 1 A (each)
- Frequency: 50/60 Hz
- Noise: 77 dBA

In the interest of product improvement Green Power Solutions reserves the right to change any specification given in this data sheet without notice.