

GOB9xx28

Bi-DIRECTIONAL THREE PHASE AC-DC BRIDGE

Fuse protection
Blown fuse indicators with microswitch
Over temperature switches
Fan loss detection circuit
Snubber for SCR's protections
Extractible stacks for easy field service

LINE VOLTAGE UP TO 500V
DC OUTPUT CURRENT 2800A

GOB94028 GOB95028

Line to line voltage	400 V	500 V
----------------------	--------------	--------------

Characteristic		Conditions	Value	Value	
I _{DC}	DC output current		2800 A	2800 A	
V _{INS} (rms)	Insulation voltage		3000 V	3000 V	

THYRISTOR CHARACTERISTICS

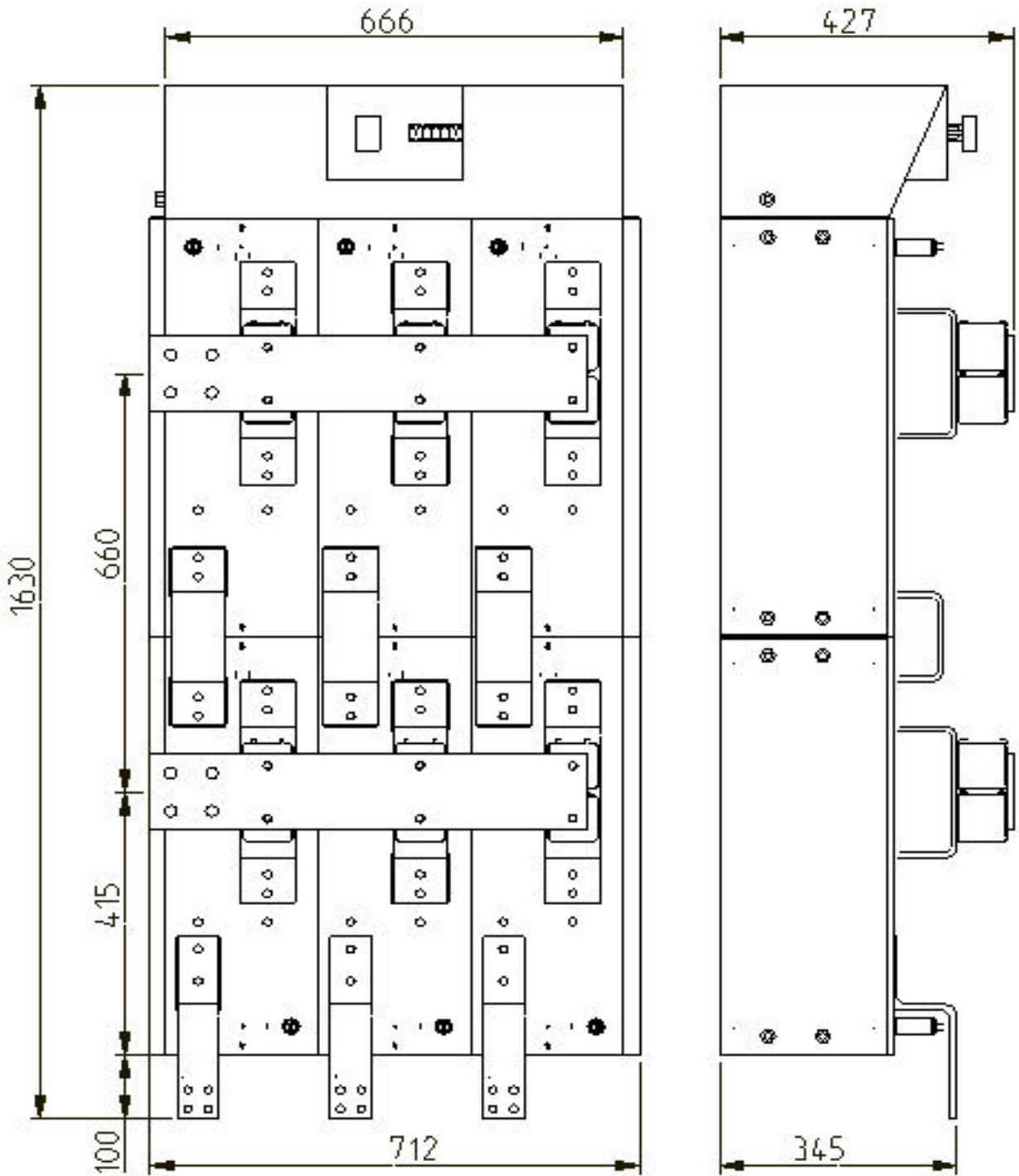
V _{GT}	Gate trigger voltage	T _j = 25 °C, V _D = 5 V	3 V	3 V	
I _{GT}	Gate trigger current	T _j = 25 °C, V _D = 5 V	300 mA	300 mA	
dV/dt	Critical rate of rise off-state voltage	T _j = 125 °C	1000 V/us	1000 V/us	
V _{RRM}	Blocking Voltage	T _j = 125 °C	1200 V	1600 V	

FUSE TYPE 12x SIBA 2068132.800

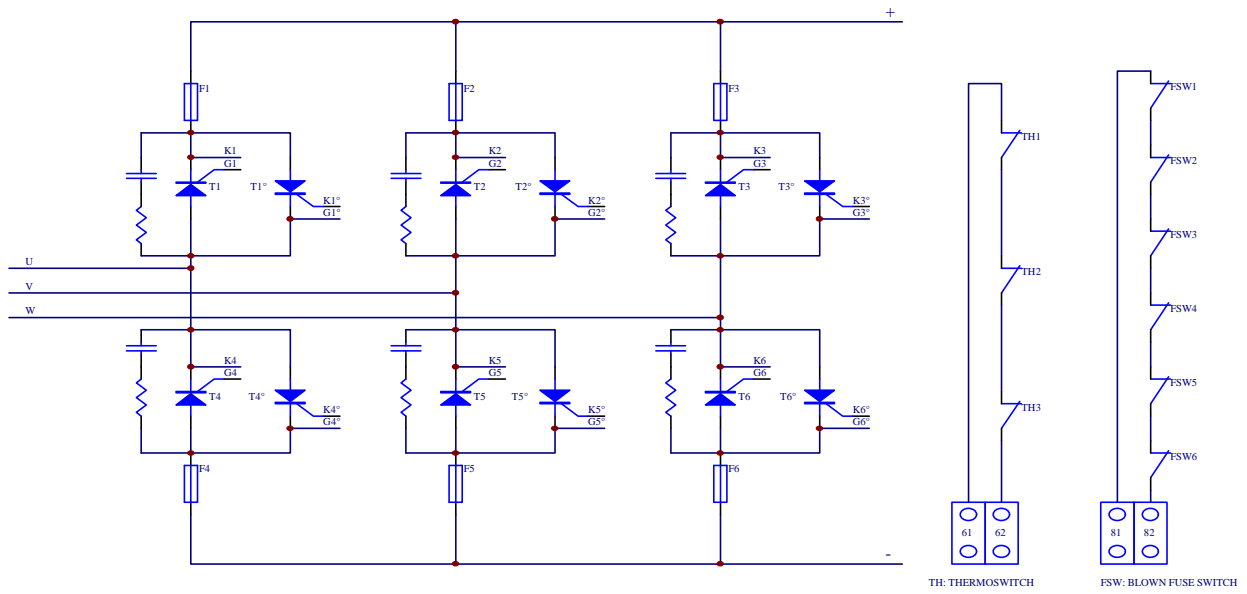
V _{NF}	Rated voltage		690 V	690 V	
I _{NF}	Rated current		800 A	800 A	
P _{VF}	Power loss	At rated current	118 W	118 W	
I ² t	Total I ² t		480 kA ² s	480 kA ² s	

MECHANICAL AND THERMAL CHARACTERISTICS

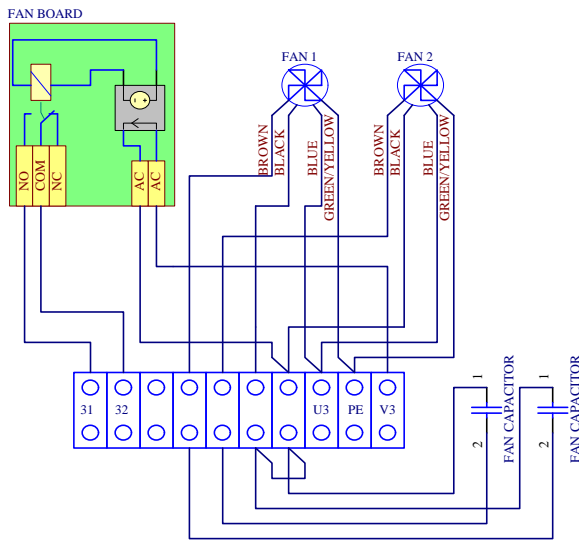
	Width		712 mm	712 mm	
	Depth		495 mm	495 mm	
	Height		1635 mm	1635 mm	
	Mass		260 kg	260 kg	
T _{a max}	Max amb. op. Temp.		40 °C	40 °C	
T _{stg}	Storage temperature		-40/60 °C	-40/60 °C	



In the interest of product improvement Green Power Semiconductors reserves the right to change any specification given in this data sheet without notice.



61-62: THERMOSWITCH CIRCUIT CONNECTION
81-82: BLOWN FUSE SWITCH CIRCUIT CONNECTION



U3-V3: MAIN SUPPLY
PE: GROUND CONNECTION (GND)
31-32: FAN BOARD CONTACT (CLOSED WHEN FAN RUNNING)

Cooling:

Fan type: single phase axial
 Number of fans: 2
 Voltage: 230 V
 Current: 1 A
 Frequency: 50/60 Hz
 Noise: 62 dBA

In the interest of product improvement Green Power Semiconductors reserves the right to change any specification given in this data sheet without notice.