

RECOMMENDED PANEL MOUNTING

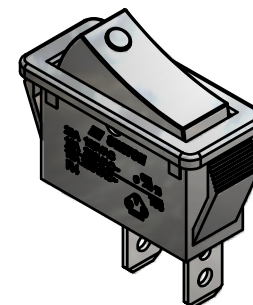
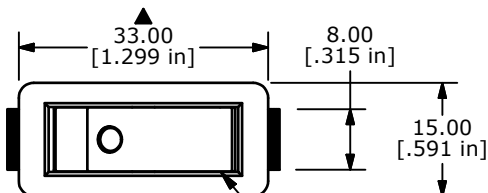
PANEL THICKNESS	X± 0.05
0.75-1.25	29.65
1.25-2.00	30.15
2.00-3.00	30.50



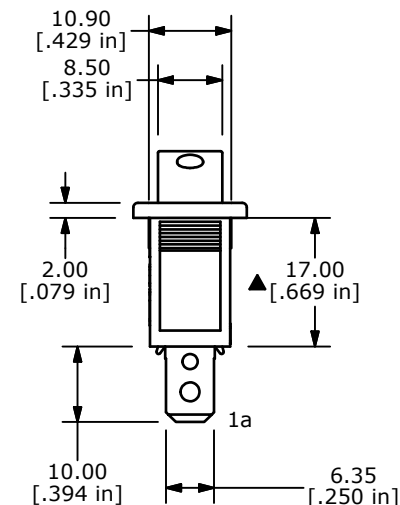
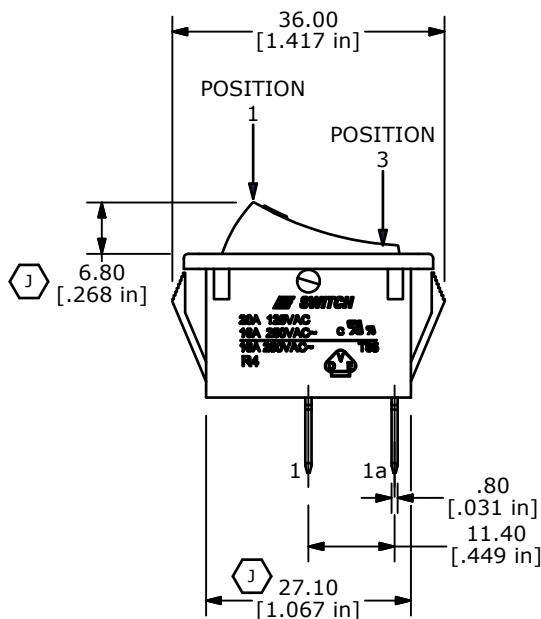
CIRCUIT: SPST

▲ HOUSING: BLACK

ROCKER: BLACK ▲



SWITCH FUNCTION		J
POS. 1	POS. 3	
(ON)	OFF	
1-1a	OPEN	
(ON)=MOMENTARY		



NOTES:

- ALL DIMENSIONS IN MM [INCH]
- GENERAL TOLERANCE: X.X=± 0.4
X.XX=± 0.25
- TERM. NOS. FOR REF. ONLY
- RATING: 20A 125VAC, 16A 250VAC UL APPROVED
16A 250VAC VDE APPROVED
- ELECTRICAL LIFE: OVER 10,000 CYCLES
- MECHANICAL LIFE: OVER 30,000 CYCLES
- CONTACT RESISTANCE: <20 mΩ(INITIAL)
- DIELECTRIC STRENGTH: >1500V 1 min
- INSULATION RESISTANCE: >1,000 mΩ @ 500V DC
- OPERATING TEMPERATURE: TERMINAL SIDE -20°C to 85°C
ROCKER SIDE -20°C to 55°C
- ▲ DENOTES CRITICAL PARAMETER
- 2002/95/EC (ROHS) COMPLIANT



TITLE R4FBLKBLKEF0

REV	PCR NO	DESCRIPTION	DATE	BY
J	19932	CORRECT DIMS AND FUNCTION TABLE	05/10/11	BMA
I	19840	UPDATE DRAWING	04/13/11	BMA

SCALE	DATE	DR	DWG	REV
1:1	3/30/1999	MM	M040109	J

THE INFORMATION CONTAINED IN THIS DOCUMENT IS PROPRIETARY TO E-SWITCH AND IS NOT TO BE COPIED OR TRANSFERRED