

# Push-on Lock Type Coaxial Connector for Semi-rigid/Semi-flexible Cable

## PDM Series

## DDK Ltd.

Characteristic Impedance

50 Ω

Frequency Range

DC to 3GHz

Lock Type

Push On

### OUTLINE

The coaxial connector for semi-rigid /semi-flexible cable.

### FEATURE

- PDM series is the coaxial connector which is modified coupling method of SMA style connector to push-on type. It is easy to mate / unmate by one-touch locking.
- Due to the push-on coupling type, torque control for mating is not necessary like standard SMA connector. So it can be mounted on small space.
- The plug connector is  $\phi$  9mm. Closed-entry mechanism provides high performance in twiddling force.

### APPLICATION

Base Station, Measurement Equipment,, Antenna

### SPECIFICATIONS

Characteristic Impedance	50 Ω
Rated Voltage	500VAC(r.m.s.)
Dielectric Withstanding Voltage	1000V AC(r.m.s) / 1 minute
Insulation Resistance	1,000M Ω min. at 500V DC
Contact Resistance	3m Ω max.
V.S.W.R.	1.3 max. (DC ~ 3GHz)
Applicable Cable	UT-85, UT-141T (Semi-rigid / Semi-flexible cable)
Operating Temperature	-55 ~ +85°C

\* The specifications are typical but may not apply to all connectors. Please check the specifications on each item with its drawing from us when you use.

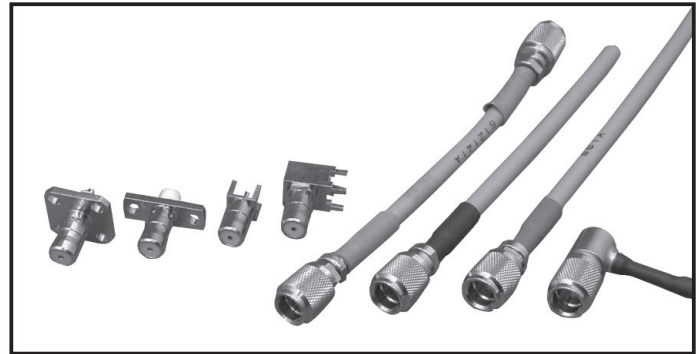
### MATERIAL/FINISH



Item	Material / Finish
Contact	Copper Alloy / Au Plating
Outer Conductor	Copper Alloy / Ni Plating
Contact	PTFE

### Connector Mating/Unmating Tool

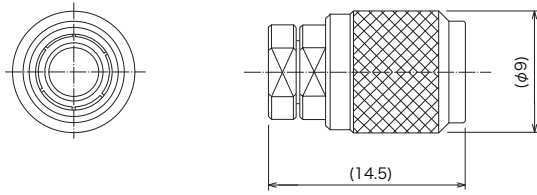
**357J-14474**



© Please acknowledge that the specification etc. of this catalog might change by the improvement etc. without notice. Moreover, the characteristic and the specification of the published product are the reference values. Please confirm the content with the latest delivery specifications when you use the product.

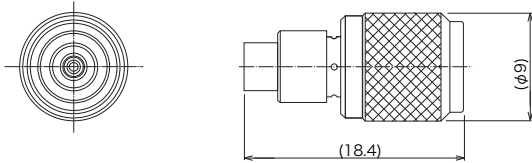
▶ Plug Connector

for Semi-Rigid, Semi-flexible Cable

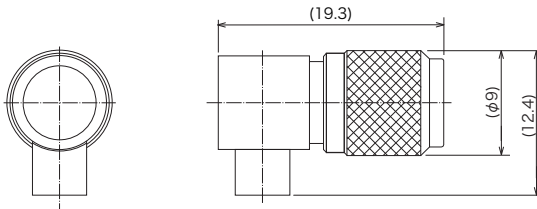


((Note) Utilize center conductor of the applicable .cable

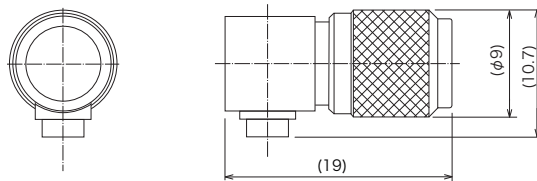
Part Number	Applicable Cable
PDM-SP-141-SO-CF	UT-141A, FCCAVG0



Part Number	Applicable Cable
PDM-SP-85-SO-CF	UT-85, FCCAVG1

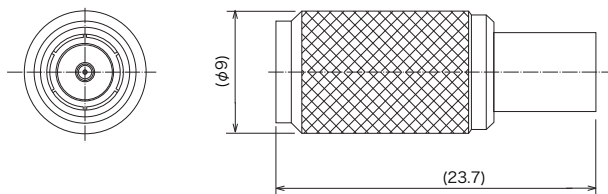


Part Number	Applicable Cable
PDM-LP-141-SO-CF	UT-141A, FCCAVG0

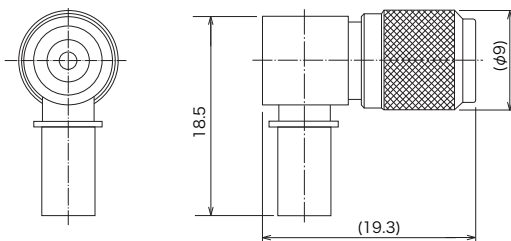


Part Number	Applicable Cable
PDM-LP-85-SO-CF	UT-85, FCCAVG1

Crimp Type



Part Number	Applicable Cable	Crimp Tool
PDM-SP-1.5DW-CR1-CF	1.5D-QEW	CR-H-1156
PDM-SP-2.5DHQS-CR1-CF	2.5D-HQ · SUPER	CR-H-1163
	2.6D-XFV-A	



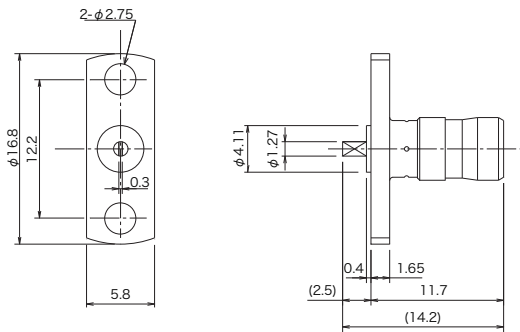
Part Number	Applicable Cable	Crimp Tool
PDM-LP-1.5DW-CR1-CF	1.5D-QEW	CR-H-1156

© Please acknowledge that the specification etc. of this catalog might change by the improvement etc. without notice.  
 Moreover, the characteristic and the specification of the published product are the reference values.  
 Please confirm the content with the latest delivery specifications when you use the product.

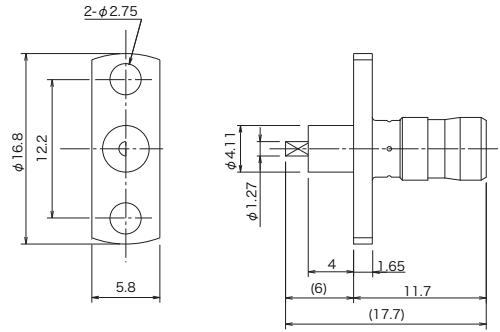
▶ Receptacle Connector

(Panel Mount Type)

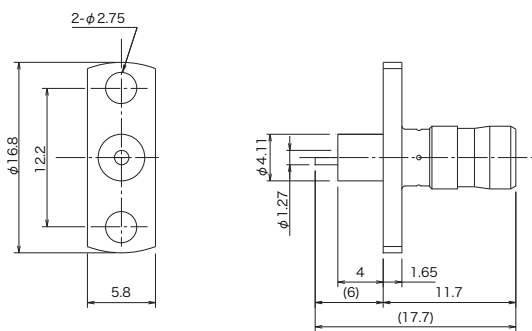
PDM-SR2-CF



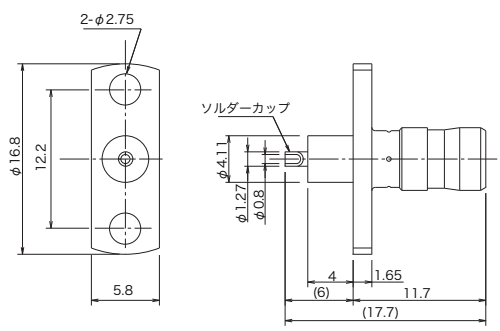
PDM-SR2-D1-CF



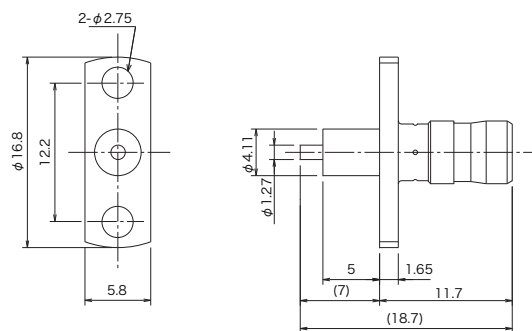
PDM-SR2-D4-CF



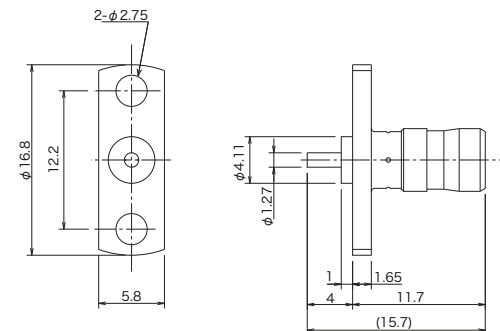
PDM-SR2-1-CF



PDM-SR2-2-CF



PDM-SR2-5-CF

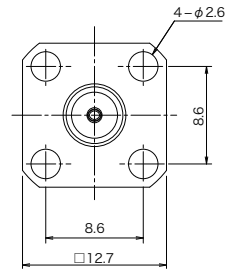
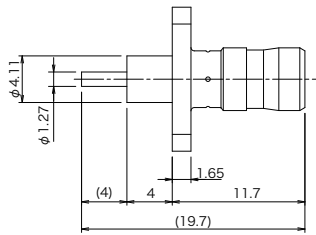


© Please acknowledge that the specification etc. of this catalog might change by the improvement etc. without notice.  
 Moreover, the characteristic and the specification of the published product are the reference values.  
 Please confirm the content with the latest delivery specifications when you use the product.

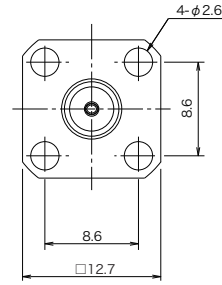
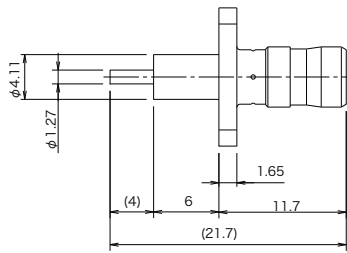
▶ Receptacle Connector

(Panel Mount Type)

PDM-SR

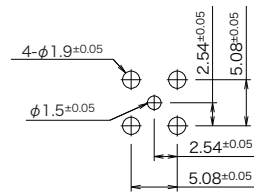
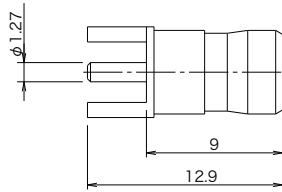
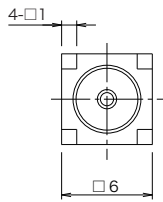


PDM-SR-7-CF



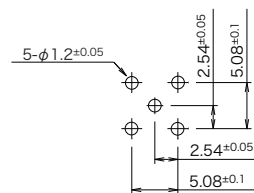
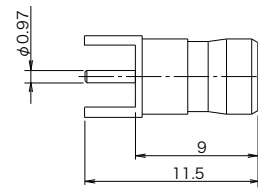
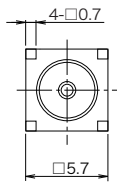
(DIP Type)

PDM-SR-PC-CF



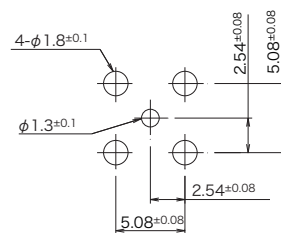
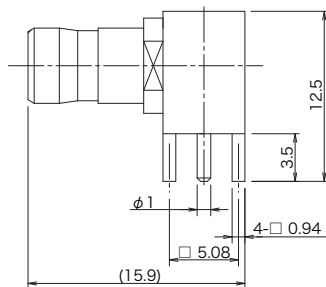
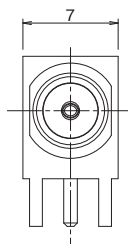
PCB Mounting Dimensions

PDM-SR-PC-D2-CF



PCB Mounting Dimensions

PDM-LR-PC-CF



PCB Mounting Dimensions

© Please acknowledge that the specification etc. of this catalog might change by the improvement etc. without notice.  
 Moreover, the characteristic and the specification of the published product are the reference values.  
 Please confirm the content with the latest delivery specifications when you use the product.