

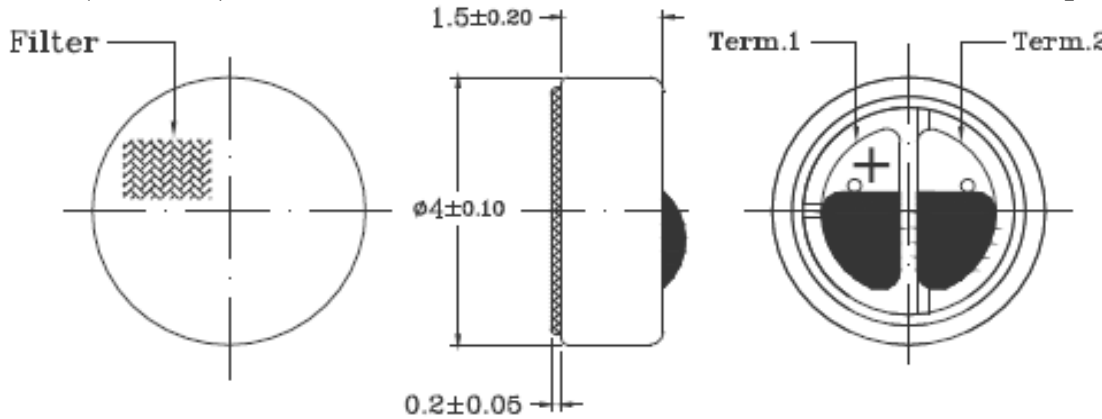
Sales Outline Drawing

Specifications:

Sensitivity Range	-42 ± 3 dB RL = 2.2 kΩ Vcc = 2.0v (1 kHz 0 dB = 1 v/Pa)
Impedance	Max. 2.2kΩ 1 kHz (RL = 2.2 kΩ)
Frequency	50 - 12000 Hz
Current Consumption	Max 0.5 mA
Operating Voltage Range	1.0 – 10 V
Max SPL (dB)	120 dB
S/N Ration	More than 58 dB
Sensitivity Reduction	2.0 –1.5V Variation less than 3 dB
Storage Condition	-20 ~ +60°C; R.H. < 45%~75%
Operating Condition	-10 ~ +45°C; R.H. < 85%
Weight (g)	0.2
Options	For other options contact factory

Dimensions: (units: mm)

ROHS Compliant



Schematic Diagram:

