

Customer Information Sheet

DRAWING No.: S2711-XXR

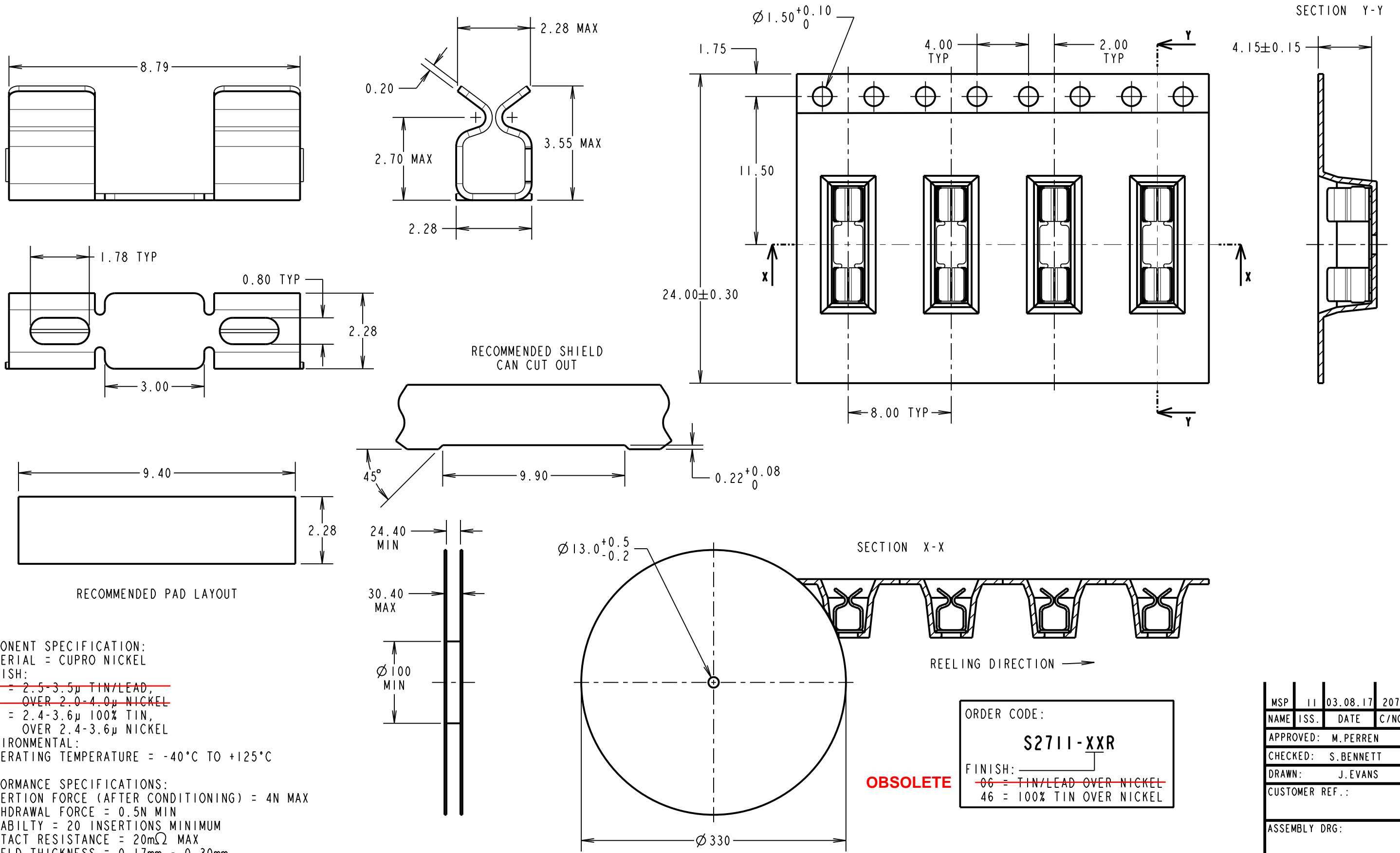
IF IN DOUBT - ASK

©

NOT TO SCALE

THIRD ANGLE PROJECTION

ALL DIMENSIONS IN mm



COMPONENT SPECIFICATION:

MATERIAL = CUPRO NICKEL

FINISH:

~~06 = 2.5-3.5µ TIN/LEAD,~~

~~OVER 2.0-4.0µ NICKEL~~

46 = 2.4-3.6µ 100% TIN,

OVER 2.4-3.6µ NICKEL

ENVIRONMENTAL:

OPERATING TEMPERATURE = -40°C TO +125°C

PERFORMANCE SPECIFICATIONS:

INSERTION FORCE (AFTER CONDITIONING) = 4N MAX

WITHDRAWAL FORCE = 0.5N MIN

DURABILITY = 20 INSERTIONS MINIMUM

CONTACT RESISTANCE = 20mΩ MAX

SHIELD THICKNESS = 0.17mm - 0.30mm

NOTES:

1. QUANTITY PER REEL = 1,900.

2. THIS PRODUCT IS TAPED AND REELED IN ACCORDANCE WITH EIA-481 (ELECTRONIC INDUSTRIES ASSOCIATION).

ORDER CODE:
S2711-XXR
FINISH: _____
~~06 = TIN/LEAD OVER NICKEL~~
46 = 100% TIN OVER NICKEL

OBSELETE

| | | | |
|--------------------|------|----------|--------|
| MSP | 11 | 03.08.17 | 20719 |
| NAME | ISS. | DATE | C/NOTE |
| APPROVED: M.PERREN | | | |
| CHECKED: S.BENNETT | | | |
| DRAWN: J.EVANS | | | |
| CUSTOMER REF.: | | | |
| ASSEMBLY DRG: | | | |

HARWIN
www.harwin.com
technical@harwin.com

THIS DRAWING AND ANY INFORMATION OR DESCRIPTIVE MATTER SET OUT HEREON ARE CONFIDENTIAL AND COPYRIGHT PROPERTY OF THE HARWIN GROUP AND MUST NOT BE DISCLOSED, LOANED, COPIED OR USED FOR MANUFACTURING, TENDERING OR FOR ANY OTHER PURPOSE WITHOUT THEIR WRITTEN PERMISSION.

TOLERANCES
X. = ±1mm
X.X = ±0.25mm
X.XX = ±0.10mm
X.XXX = ±0.01mm
ANGLES = ±5°
UNLESS STATED

MATERIAL:
SEE ABOVE
FINISH: SEE ABOVE
S/AREA: mm²

TITLE: SMT RFI SHIELD CLIP IN TAPE AND REEL (CUPRO NICKEL)
DRAWING NUMBER: S2711-XXR
SHT 2 OF 2