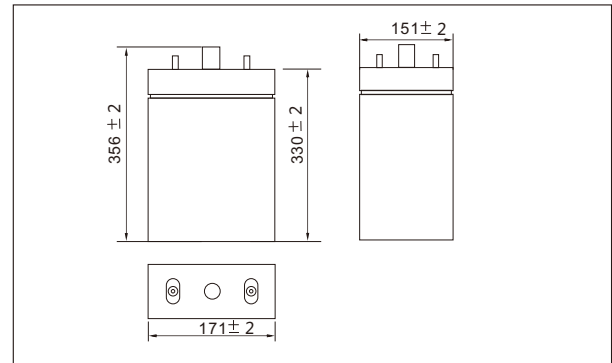




SW22500E(2V250AH)



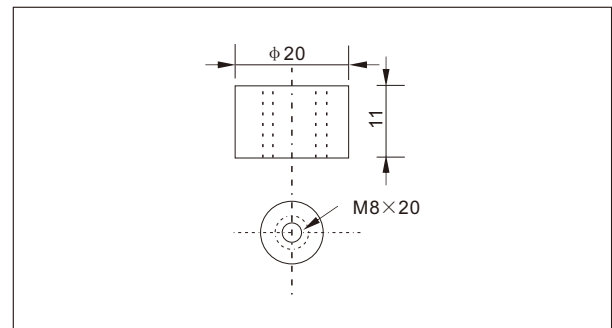
Outer dimensions (mm)



Specifications

Nominal Voltage	2 V	
Rated capacity (10 hour rate)	250 Ah	
Dimensions	Total Height	356 mm (14.0 inches)
	Height	330 mm (13.0 inches)
	Length	171 mm (6.7 inches)
	Width	151 mm (5.9 inches)
Weight Approx	17 Kg (37.4 lbs)	

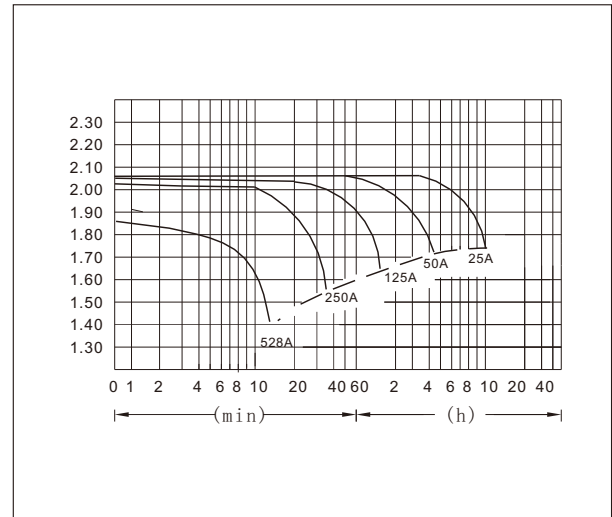
Terminal Type (mm)



Characteristics

Capacity 25°C(77°F)	10 hour rate(25 A)	250 AH
	5 hour rate(40A)	200 AH
	1 hour rate(150 A)	150 AH
	1.5 hour discharge to 1.75 V	100 A
Internal Resistance	Full charged Battery at 25°C(77°F)	0.8 mΩ
Capacity affected by Temperature (10hour rate)	40°C(104°F)	102%
	25°C(77°F)	100%
	0°C(32°F)	85%
	-15°C(5°F)	65%
Self-Discharge at 25°C(77°F)	Capacity after 3 month storage	91%
	Capacity after 6 month storage	82%
	Capacity after 12 month storage	64%
Terminal	T20	
Charge (constant Voltage)	Cycle	Initial Charging Current less than 62.5 A Voltage 2.35-2.40V
	Float	Voltage 2.25-2.30V

Discharge Curves 25°C(77°F)



Time		10min	30min	1h	2h	3h	4h	5h	8h	10h	20h
1.60V	A	497.5	285.0	150.0	87.5	64.5	50.0	41.4	29.0	27.5	14.3
	W	978	510	290	170	125	97.5	80.0	55.0	51.3	27.2
1.70V	A	472.5	277.5	141.0	83.5	62.5	48.8	40.5	28.4	25.9	14.0
	W	940	505	273	160	120	95.0	77.5	55.0	48.8	26.8
1.75V	A	447.5	255.0	137.5	81.5	61.0	48.0	40.0	28.1	25.5	13.8
	W	910	475	263	158	118	92.5	76.5	54.3	48.3	26.3
1.80V	A	422.5	235.0	132.5	79.5	59.5	47.3	39.0	27.4	25.0	13.7
	W	875	458	253	155	115	90.5	75.0	52.5	48.0	26.0
1.85V	A	397.5	210.0	125.0	77.5	57.5	45.8	38.0	26.7	24.4	13.5
	W	825	420	245	153	115	88.8	74.5	50.3	47.5	25.6