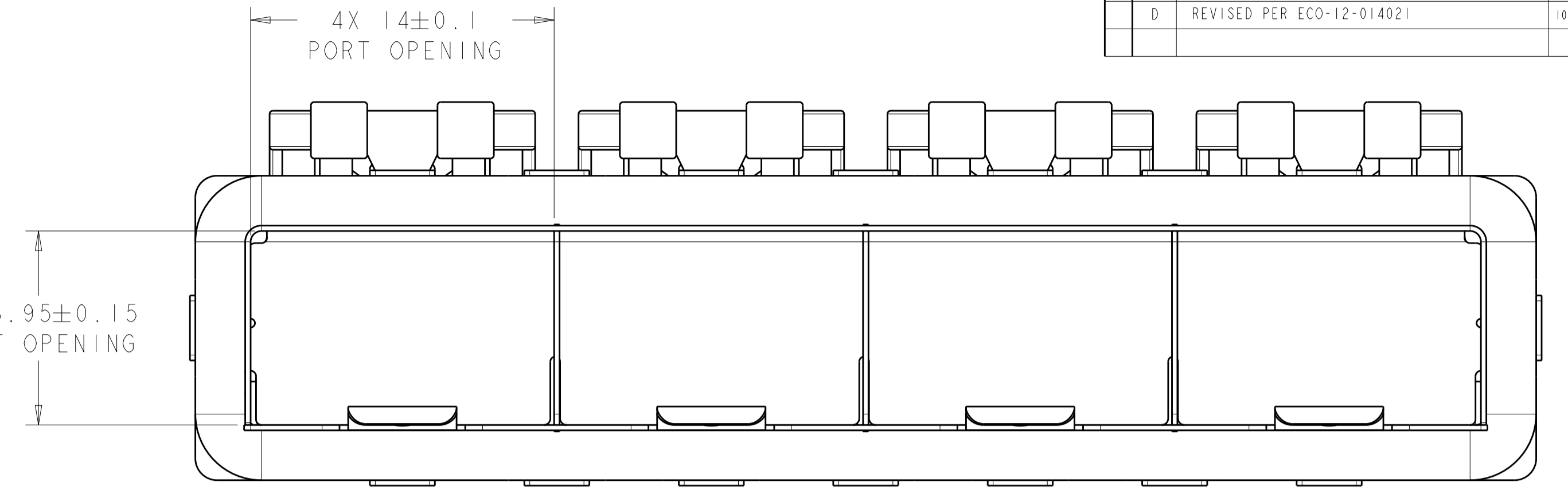
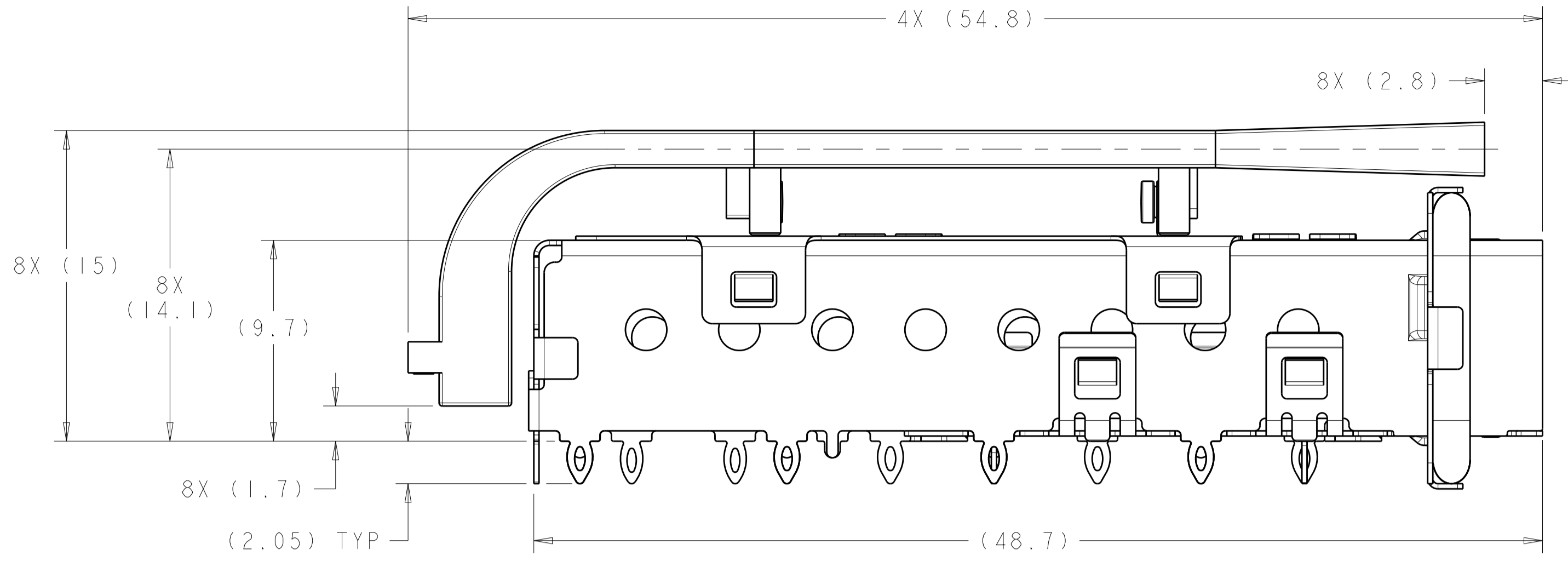
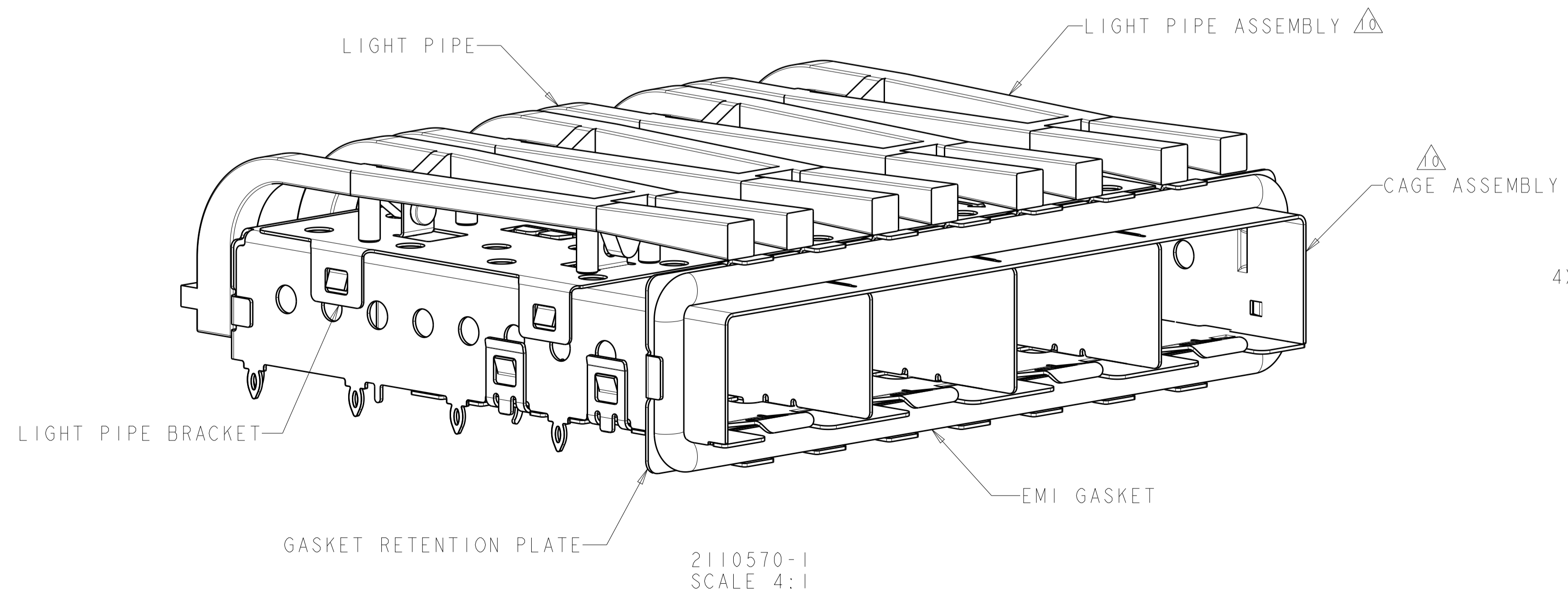
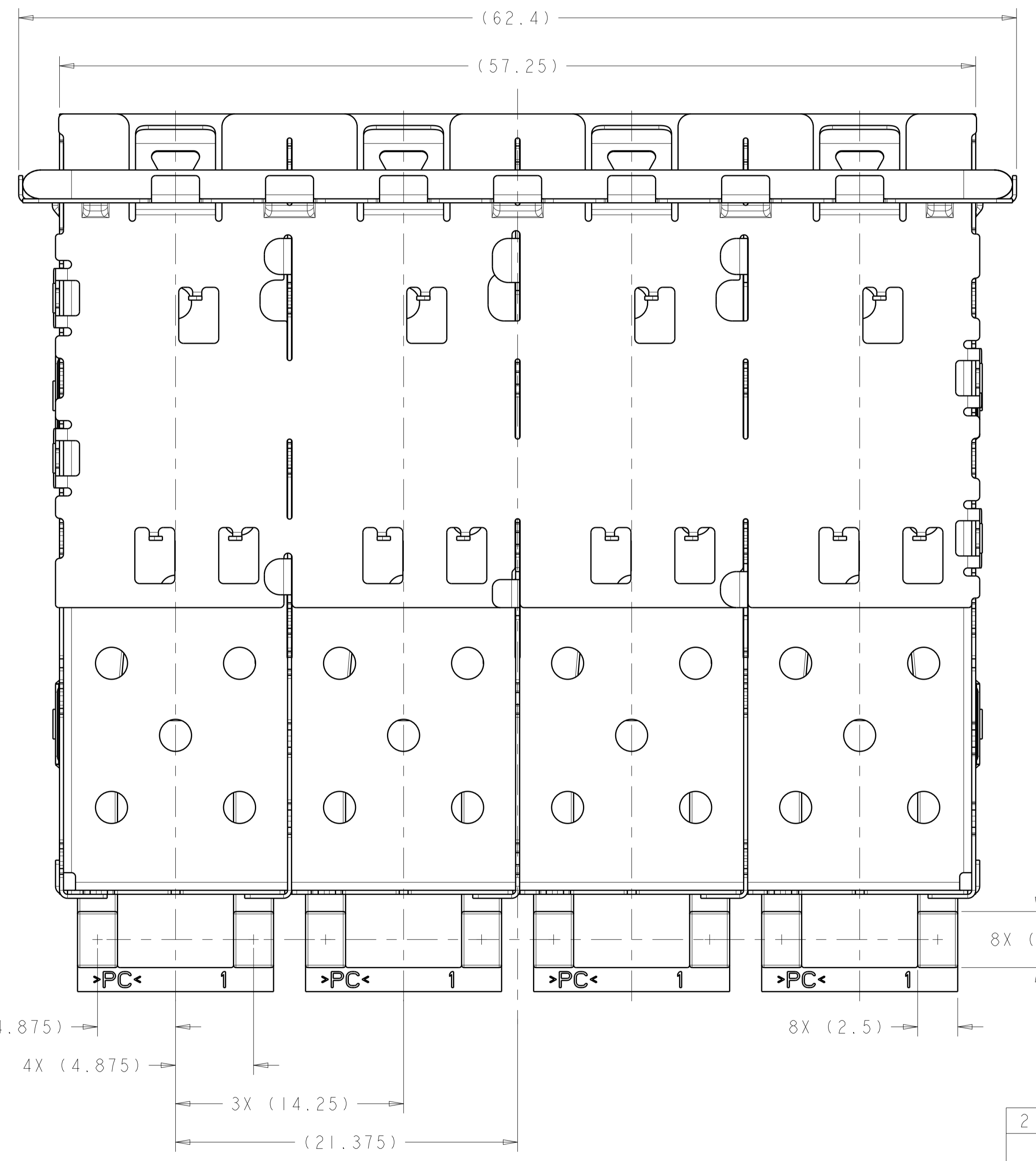


LOC	DIST	REVISIONS					
GP	00	P	LTN	DESCRIPTION	DATE	DWN	APVD
		B		REVISE PER ECO-09-022874	9OCT2009	ZMR	MRS
		C		REVISED PER ECO-10-004036	91MAR2010	CJV	MRS
		D		REVISED PER ECO-12-014021	10DEC2012	TD	AC



- 1 MATERIAL:
 CAGE ASSEMBLY - 0.25mm THICK NICKEL SILVER ALLOY
 GASKET RETENTION PLATE - STAINLESS STEEL
 GASKET - PLATED FILLED SILICONE
 LIGHT PIPE BRACKET - STAINLESS STEEL
 LIGHT PIPE - POLYCARBONATE, CLEAR
- 2 MINIMUM PC BOARD THICKNESS = 1.50mm.
- 3 PADS AND VIAS CHASSIS GROUND.
- 4 DATUM AND BASIC DIMENSION ESTABLISHED BY CUSTOMER.
- 5. MATES WITH SFP MSA COMPLIANT TRANSCEIVERS.
- 6. INTERPRETATION OF DATUM REFERENCE FRAME IN ACCORDANCE WITH SECT 4.4.1.1 OF ASME Y14.5M-1994.
- 7 REFERENCE APPLICATION SPEC. 114-13120, HOLE A, FOR RECOMMENDED DRILL HOLE DIAMETER AND PLATING THICKNESS.
- 8 REFERENCE APPLICATION SPEC. 114-13120, HOLE B, FOR RECOMMENDED DRILL HOLE DIAMETER AND PLATING THICKNESS.
- 9 HOLE PATTERN REPEATS FOR EACH PORT. SPACING BETWEEN PORTS IS 14.25mm.
- 10 LIGHT PIPE ASSEMBLY SHIPPED UNASSEMBLED TO CAGE ASSEMBLY. CAGE ASSEMBLY TO BE PRESSED INTO THE PCB PRIOR TO ATTACHING THE LIGHT PIPE ASSEMBLY TO THE CAGE.
- 11. PRODUCT COMPLIES WITH SPECIFICATION SFF-8433 IMPROVED PLUGGABLE FORM FACTOR FOR SFP+ GANGED CAGES.



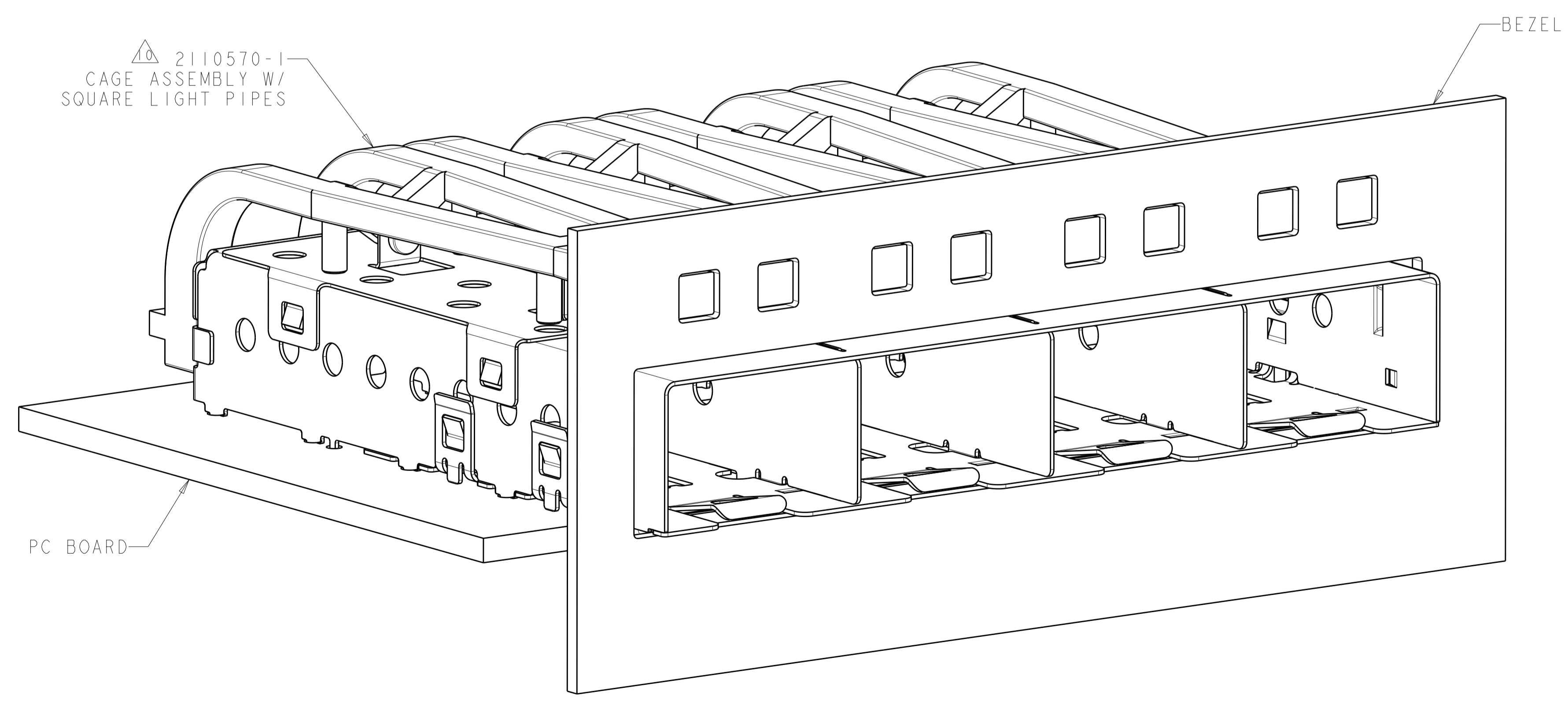
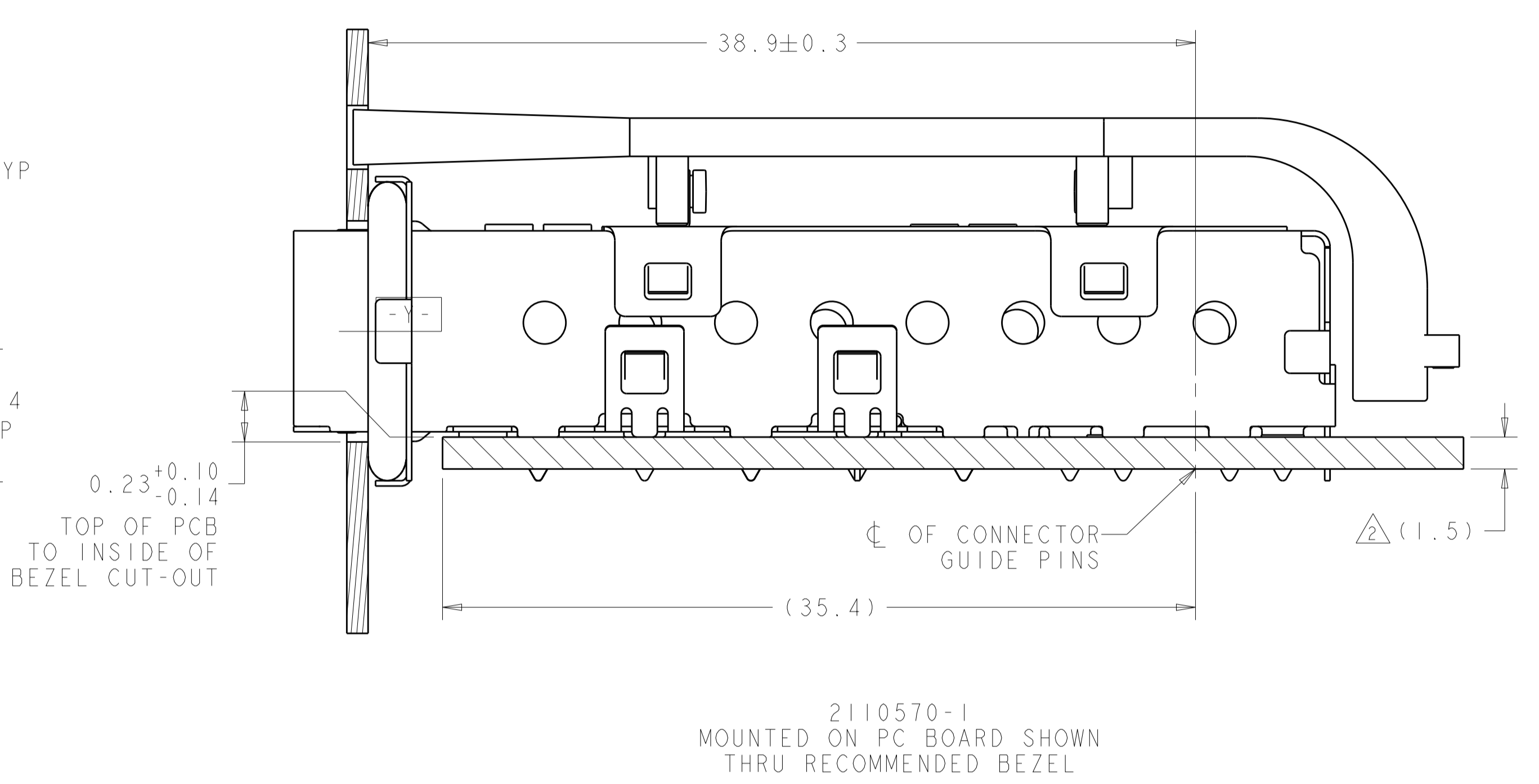
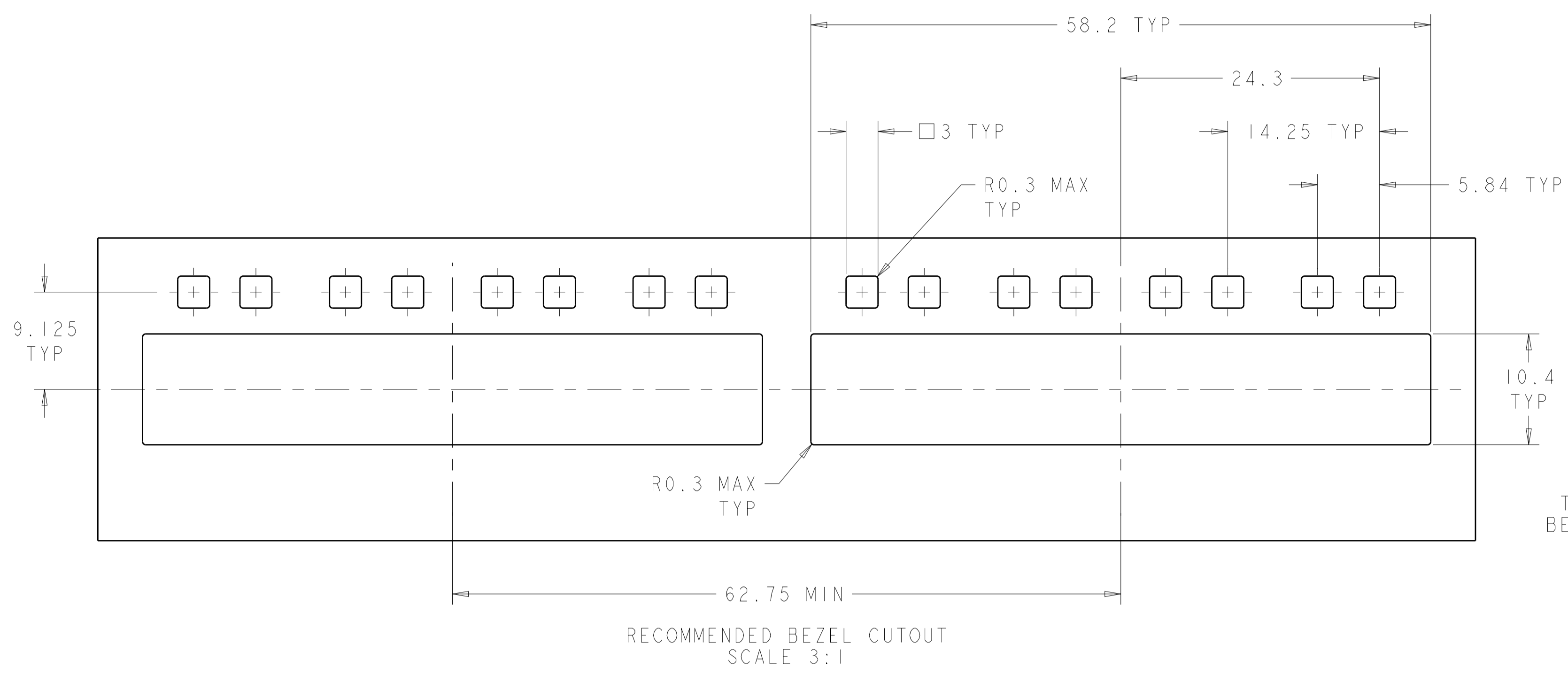
2110570-1
 SCALE 4:1

2110570-1
 PART NUMBER

THIS DRAWING IS A CONTROLLED DOCUMENT.		DWN Z. M. BEAM 13APR2009	TE Connectivity SFP+ 1X4 CAGE ASSEMBLY, PRESS FIT, EMI GASKET, W/ REDUCED LENGTH SQUARE LIGHT PIPES
DIMENSIONS:		CHK M. R. SCHMITT 13APR2009	
TOLERANCES UNLESS OTHERWISE SPECIFIED:		APVD B. H. WERTZ 13APR2009	
mm		PRODUCT SPEC 108-2364	
0 PLC ±0.1 1 PLC ±0.1 2 PLC ±0.1 3 PLC ±0.1 4 PLC ±0.1		APPLICATION SPEC 114-13120	RESTRICTED TO
MATERIAL		WEIGHT	SIZE CAGE CODE DRAWING NO A100779C=2110570
FINISH		Customer Drawing	SCALE 1:1 SHEET 1 OF 3 REV D

LOC	DIST	REV	DATE	BY	APPV
GP	00				

REVISIONS			
REV	DATE	BY	APPV
-	-	-	-
-	-	-	-

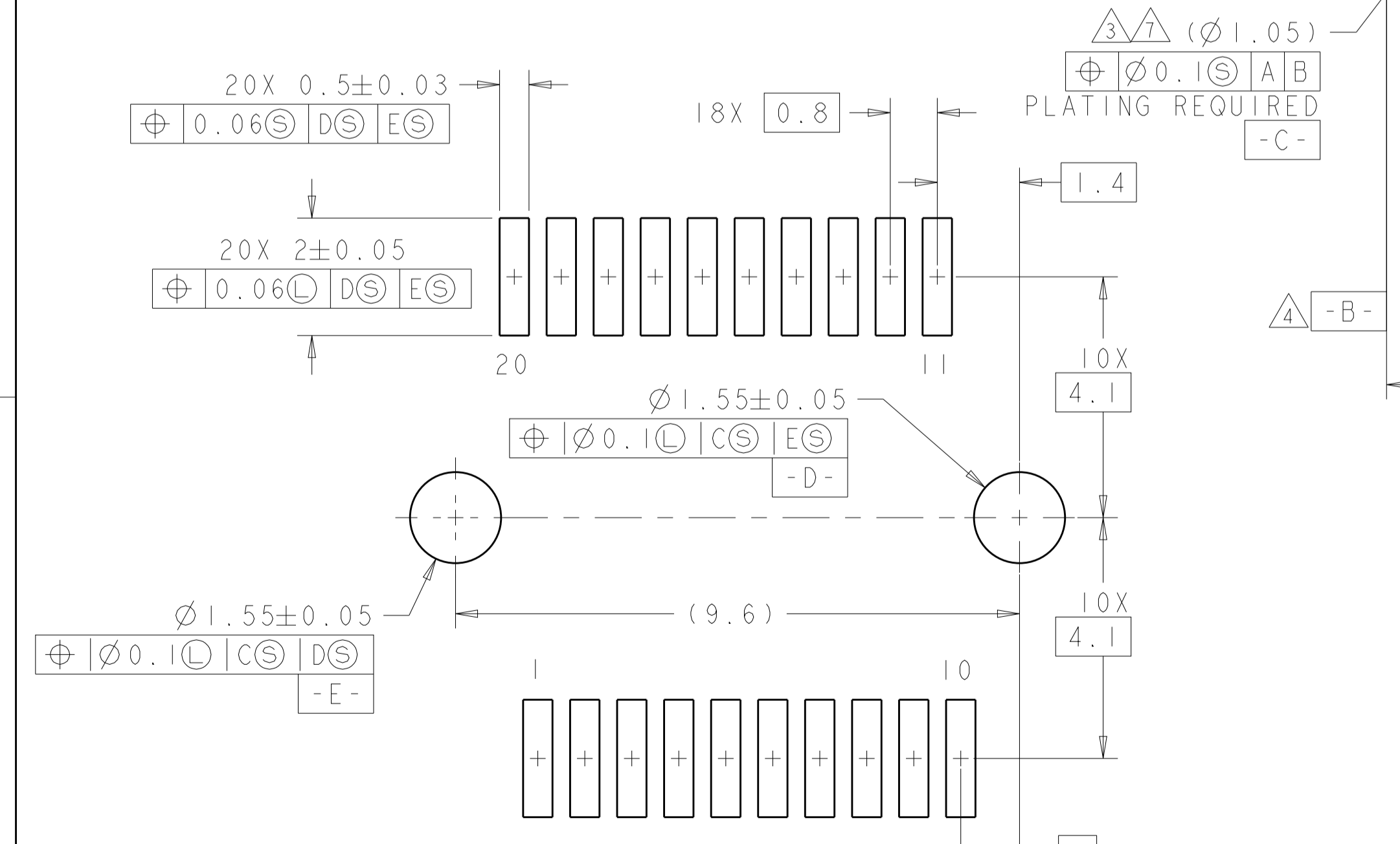
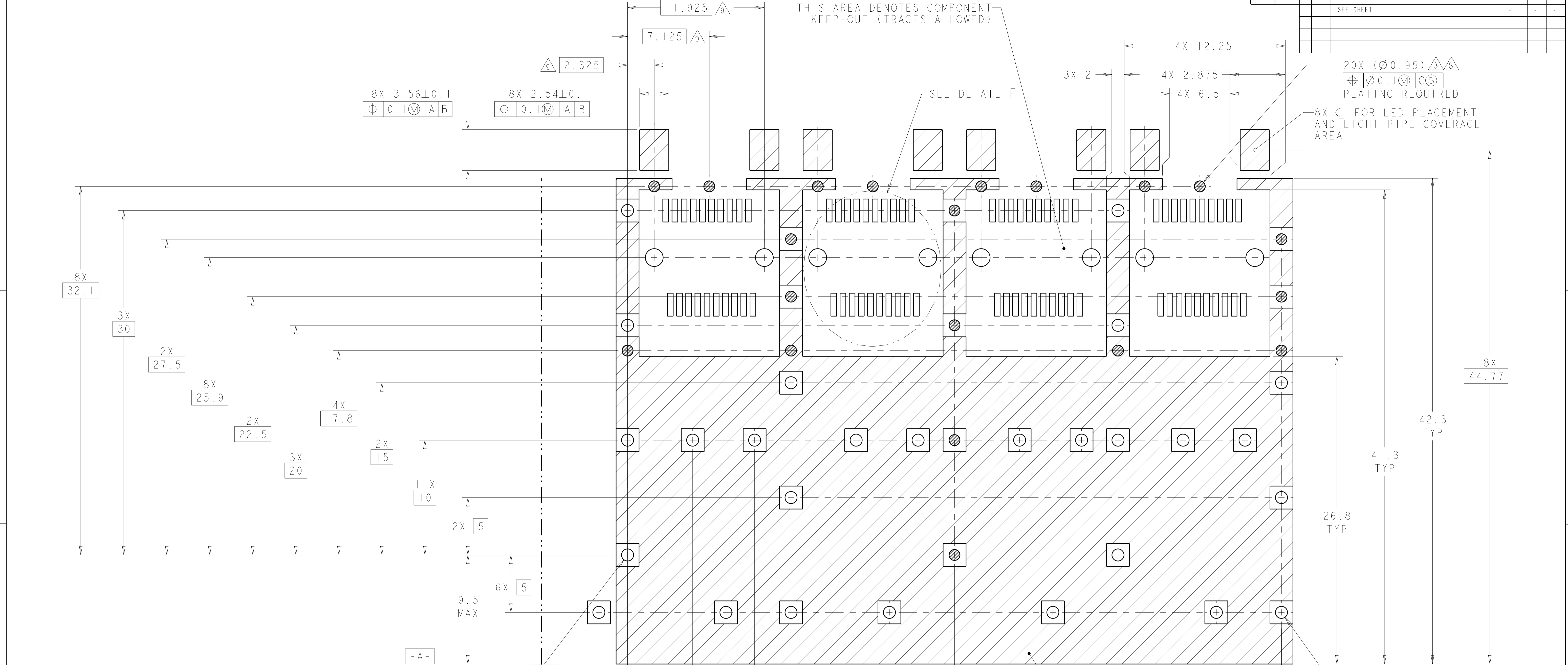


2110570-1 MOUNTED ON PC BOARD SHOWN THRU RECOMMENDED BEZEL

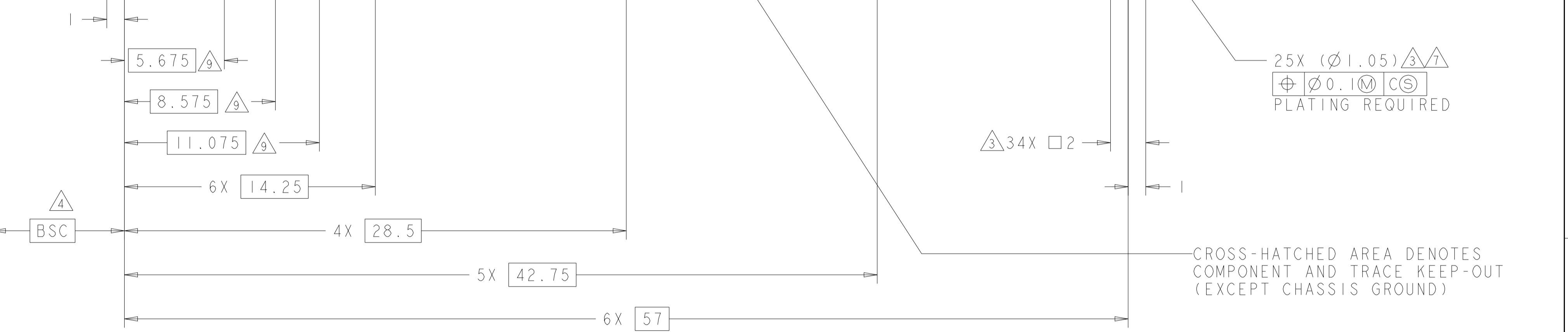
THIS DRAWING IS A CONTROLLED DOCUMENT.		OWN: Z.M.BEAM 13APR2009	 TE Connectivity
DIMENSIONS: mm		CHK: M.R.SCHMITT 13APR2009	
TOLERANCES UNLESS OTHERWISE SPECIFIED:		APPV: R.H.WERTZ 13APR2009	
0 PLC ±0.1 1 PLC ±0.1 2 PLC ±0.1 3 PLC ±0.1 4 PLC ±0.1 ANGLES ±1°		PRODUCT SPEC: 108-2364 APPLICATION SPEC: 114-13120 WEIGHT: - Customer Drawing	
MATERIAL: -		FINISH: -	NAME: SFP+ 1X4 CAGE ASSEMBLY, PRESS FIT, EMI GASKET, W/ REDUCED LENGTH SQUARE LIGHT PIPES SIZE: A100779 CAGE CODE: C=2110570 SCALE: 5:1 SHEET 2 OF 3 REV D

LOC	DIST	REV	DATE	BY	APPV
GP	00				

REVISIONS					
NO.	DATE	BY	APPV	DESCRIPTION	REV
1				SEE SHEET 1	



DETAIL F
RECOMMENDED PT CONNECTOR LAYOUT
4X INDIVIDUALLY
SCALE 12:1



RECOMMENDED PCB CONFIGURATION
WITH KEEP-OUT AREAS
SCALE 6:1

CROSS-HATCHED AREA DENOTES
COMPONENT AND TRACE KEEP-OUT
(EXCEPT CHASSIS GROUND)

THIS DRAWING IS A CONTROLLED DOCUMENT.		OWN: Z. M. BEAM 13APR2009	TE Connectivity
DIMENSIONS: mm		CHK: M. R. SCHMITT 13APR2009	
TOLERANCES UNLESS OTHERWISE SPECIFIED:		APVD: B. H. WERTZ 13APR2009	NAME: SFP+ 1X4 CAGE ASSEMBLY, PRESS FIT, EMI GASKET, W/ REDUCED LENGTH SQUARE LIGHT PIPES
0 PLC	±0.1	PRODUCT SPEC	SIZE: 114-13120
1 PLC	±0.1	APPLICATION SPEC	WEIGHT: -
2 PLC	±0.1		RESTRICTED TO: -
3 PLC	±0.1		SCALE: 1:1
4 PLC	±0.1		SHEET: 3 OF 3
ANGLES	±1°		REV: D
MATERIAL:	FINISH:	Customer Drawing	