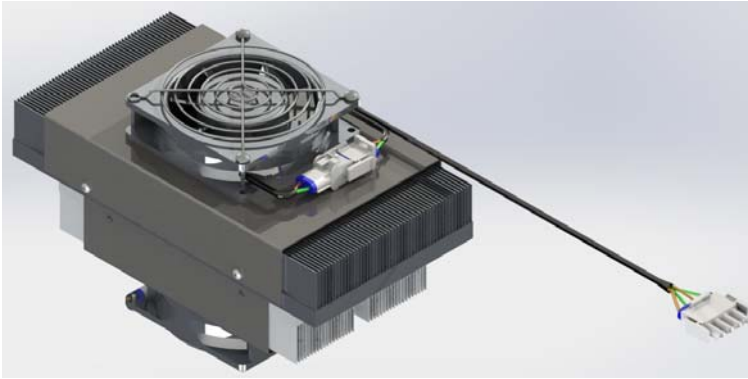


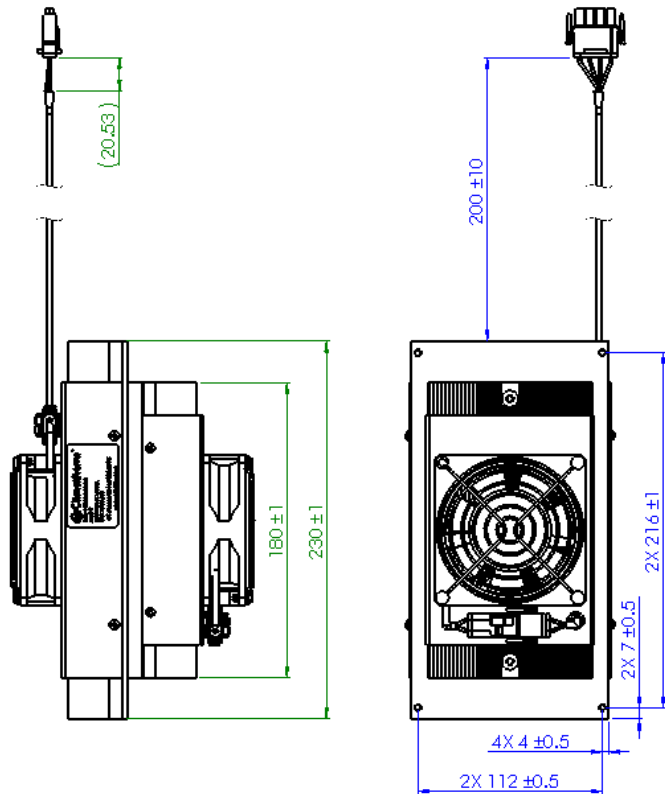


## Climatherm 230 Series

AIR TO AIR TE EXCHANGER STANDARD PRODUCT  
RoHS EU Compliant



### MECHANICAL CHARACTERISTICS



### TYPICAL PERFORMANCE VALUES

Specifications	
Weight (kg)	2.2
Operating Temp	-10°C to 60°C

Electrical Connections		
Color	PIN #	Description
White	1	TEC "+"
Blue	2	TEC "-"
Red	3	Fans "+"
Black	4	Fans "-"

Connectors	
Plug	Tyco P/N 480702-0
Socket	Tyco P/N 480703-0
PIN Plug	Tyco P/N 350547-1
PIN Socket	Tyco P/N 350550-1

Available Configurations					
Model Number	Voltage	Current	Cooling Power	External Fan Rating	Curve
	(nom/max) V	(nom/max) A	0 dT W	dB-A	
CTA230-0001-01/-02	12/14	7.5/9	72	42.5	A
CTA230-0001-03/-04	24/28	3.75/4.5	72	42.5	A

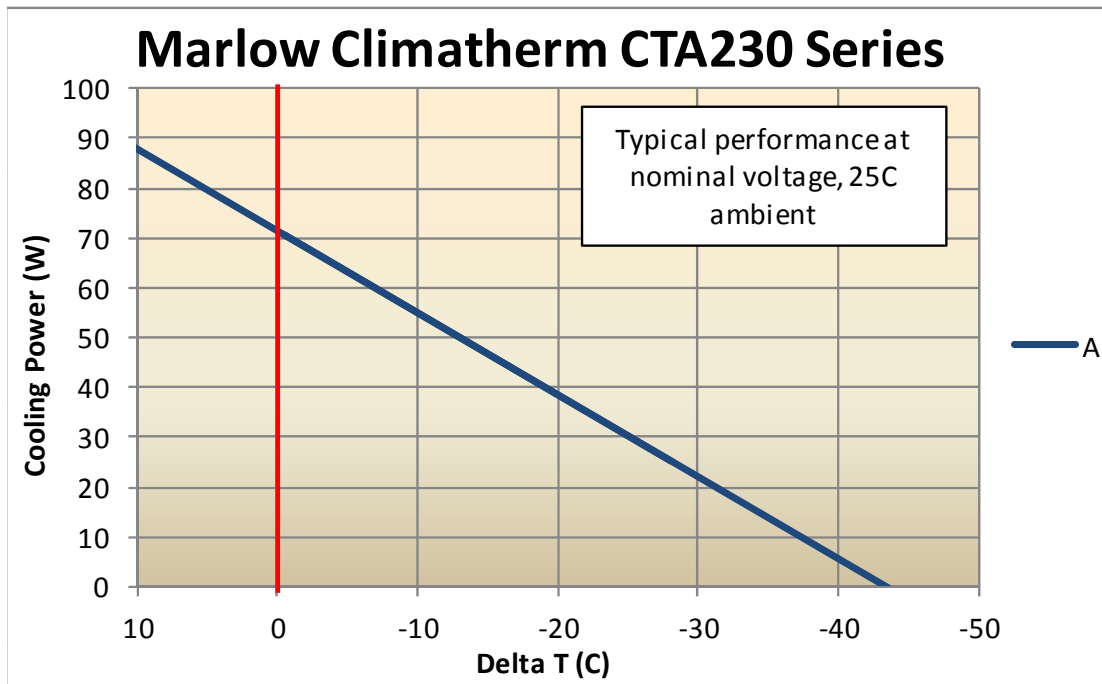
IP55 RATED FANS

### ORDERING OPTIONS

Model Number	Description
CTA230-0001-01	12V, Hot Side Wiring
CTA230-0001-02	12V, Cold Side Wiring
CTA230-0001-03	24V, Hot Side Wiring
CTA230-0001-04	24V, Cold Side Wiring

### AVAILABLE MODIFICATIONS

For information regarding additional ordering options available, please contact a Marlow engineering representative.



For performance information, consult one of our Applications Engineers.

**Installation**

Recommended mounting methods: Attach through provided mounting holes with M5 hardware. Mounting template included with product.

**Operation Cautions**

For maximum reliability, storage and operation below 60°C in a non-condensing environment is recommended.

**WARNING:** This product contains a chemical known to the state of California to cause cancer, birth defects, or other reproductive harm.

**CONTACT US:**

For customer support or general questions please contact a local office below or consult our website for distributor information.

Marlow Industries, Inc.  
 10451 Vista Park Road  
 Dallas Texas 75238-1645  
 214-340-4900 (tel)  
 214-341-5212 (fax)  
 www.marlow.com

Marlow Industries Europe GmbH  
 Brunnenweg 19-21  
 64331 Weiterstadt  
 Germany  
 Tel.: +49 (0) 6150 5439 - 403  
 Fax: +49 (0) 6150 5439 - 400  
 info@marlow-europe.eu

II-VI Japan Inc.  
 WBG Marive East 17F  
 2-6 Nakase, Mihama-ku  
 Chiba-Shi, Chiba 261-7117  
 Japan  
 81 43 297 2693 (tel)  
 81 43 297 3003 (fax)  
 center@ii-vi.co.jp  
 www.ii-vi.co.jp

II-VI Singapore Pte., Ltd.  
 Blk. 5012, Techplace II  
 #04-07 & 05-07/12, Ang Mo Kio Ave. 5  
 Singapore 569876  
 (65) 6481 8215 (tel)  
 (65) 6481 8702 (fax)  
 info@ii-vi.com.sg  
 www.ii-vi.com.sg

Marlow Industries China, II-VI  
 Technologies Beijing  
 A subsidiary of II-VI Incorporated  
 Rm 202, 1# Lize 2nd Middle Road  
 Wangjing, Chaoyang District  
 Beijing 100102 China  
 010-64398226 ext 105 (tel)  
 010-64399315 (fax)  
 info@iivibj.com