

LVE-PECL 7x5mm 2.5V Oscillator



F4620 SERIES

RoHS Compliant / Pb Free

Rev. 3/24/2009

Page 1 of 2

http://www.foxonline.com/need_a_sample.htm

FEATURES

- 2.5V Operation
- LV-PECL Output
- Complementary Outputs
- Standby Function
- Tape and Reel (2,000 pcs. STD)

XpressO® Equivalent

FXO-PC72

Why XpressO?

Lower Cost, Faster Delivery, Low Jitter!

Need a
Sample®

• PART NUMBER SELECTION [Learn More - Internet Required](#)

Part Number	Model Number	Frequency Stability ¹	Operating Temperature (°C)	Frequency Range (MHz)
359-Frequency-xxxxx	F4620	±100PPM	-10 ~ +70	40.000 ~ 280.000
729-Frequency-xxxxx	F4620R	±100PPM	-40 ~ +85	40.000 ~ 280.000
360-Frequency-xxxxx	F4625	±50PPM	-10 ~ +70	40.000 ~ 280.000
730-Frequency-xxxxx	F4625R	±50PPM	-40 ~ +85	40.000 ~ 280.000
720-Frequency-xxxxx	F4626	±25PPM*	-10 ~ +70	40.000 ~ 280.000
731-Frequency-xxxxx	F4626R	±25PPM*	-40 ~ +85	40.000 ~ 170.000

• ELECTRICAL CHARACTERISTICS

PARAMETERS	MAX (unless otherwise noted)
Frequency Range (Fo)	40.000 ~ 280.000 MHz
Storage Temperature Range (TSTG)	-55°C ~ +125°C
Supply Voltage (VDD)	2.5V ± 5%
Input Current (IDD)	88mA
Output Symmetry (50% Vp-p Level)	
40.000 MHz ~ 170.000 MHz	45% ~ 55%
170.000* Mhz ~ 280.000 MHz	40% ~ 60%
Rise Time (TR) (20% ~ 80% Vp-p)	1nS
Fall Time (TF)(80% ~ 20% Vp-p)	1nS
Output Voltage (VOL)	1.195V
(VOH)	1.415 V Min
Standby Current	30µA
Output Load	See Recommended Circuit
Start-up Time (Ts)	10mS
Output Disable Time	200nS
Output Enable Time	10mS
Jitter	
12kHz ~ 20MHz	0.3pS Typ.
RMS Period	2.5pS Typ.
Cycle-to-Cycle	20pS Typ.

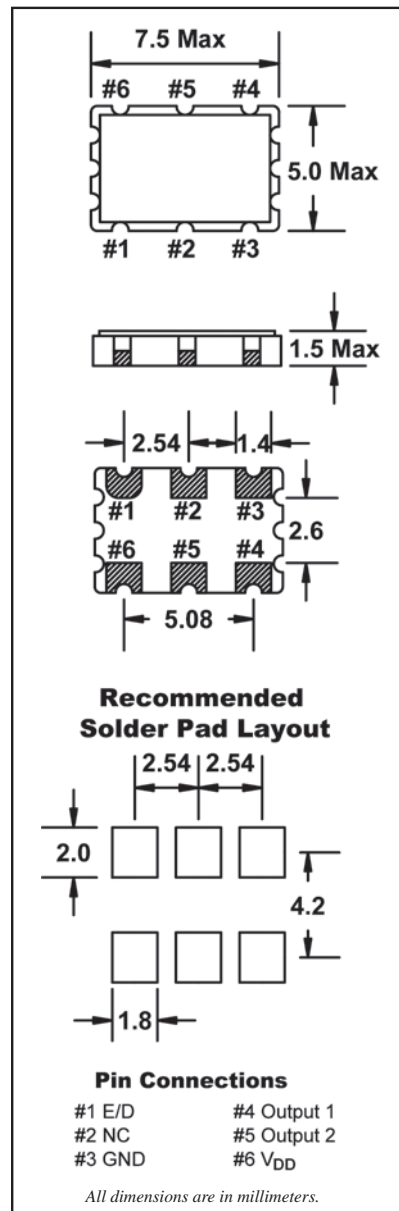
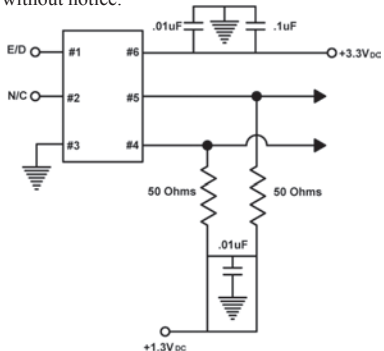
¹ Inclusive of 25°C tolerance, operating temperature range, input voltage change, load change, aging, shock, and vibration. (*Excludes shock and vibration)

² An internal pullup resistor from pin 1 to pin 6 allows active output if pin 1 is left open.

Note: A 0.01µF bypass capacitor should be placed between VDD (Pin 6) and GND (Pin 3) to minimize power supply line noise.

Drawing is for reference to critical specifications defined by size measurements.

Certain non-critical visual attributes, such as side castellations, reference pin shape, etc. may vary. All specifications subject to change without notice.



• ENABLE / DISABLE FUNCTION²

(Pin 1)	OUTPUT (Pin 4)	OUTPUT (Pin 5)
OPEN ²	ACTIVE	ACTIVE
'1' Level VIH ≥ 70% VDD	ACTIVE	ACTIVE
'0' Level VIL ≤ 30% VDD	High Z	High Z

LVE-PECL 7x5mm 2.5V Oscillator



F4620 SERIES

RoHS Compliant / Pb Free

Rev. 3/24/2009

Page 2 of 2

http://www.foxonline.com/need_a_sample.htm

Need a
Sample®

• TAPE SPECIFICATIONS (millimeters)							
MODEL	A	B	C	D	E	F	STD Reel QTY
F4620 Series	∅1.5	4.0	8.0	7.5	16.0	2.15	2,000

• REEL SPECIFICATIONS (millimeters)							
MODEL	G	H	I	J	K	L	M
F4620 Series	2.0	∅13	∅21	∅80	∅255	17.5	2.0

