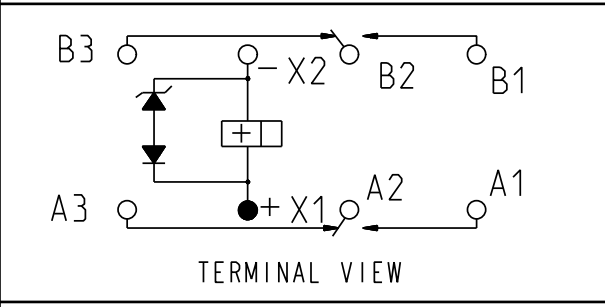


REV. C
DCO 300783

TOLERANCES $\pm .010"$ - UNLESS OTHERWISE SPECIFIED

COIL: @ 25°C	
RESISTANCE	500 OHMS $\pm 10\%$
NOMINAL VOLTAGE	28 VDC
MUST OPERATE	13.5 VDC MAX.
	TRANSIENT SUPPRESSION - 42 VDC MAX.
MUST RELEASE	5.5 VDC MAX., 2.3 VDC MIN.

CUSTOMER DATA SHEET



ENVIRONMENT:

VIBRATION	70 Hz TO 3000 Hz @ 30 g's
SHOCK	200 g's 6 MS. DURATION
TEMPERATURE	-70 °C TO +125 °C

NOTES: OPERATE, RELEASE 5 MS MAX.

CONTACT STABILIZATION	2.5 MS MAX.
CONTACT BOUNCE	1 MS MAX.
CONTACT BREAK BOUNCE	0.1 MS MAX.

CONTACT RATING: LOW LEVEL
TO 5 AMPS 28 VDC, 115 VAC 400 Hz RESISTIVE,
100,000 OPERATIONS

DR. B.D. 11MAR2008 CK. J.M.B. 3/17/08

Tyco Electronics ©COPYRIGHT 2005
TYCO ELECTRONICS CORPORATION
ALL INTERNATIONAL RIGHTS RESERVED

CUST. M83536/2-026M	TE NUMBER 5-1617758-2
CUST. NO. _____ REV. _____	

C11 PART NUMBER
FCB-205-0226M