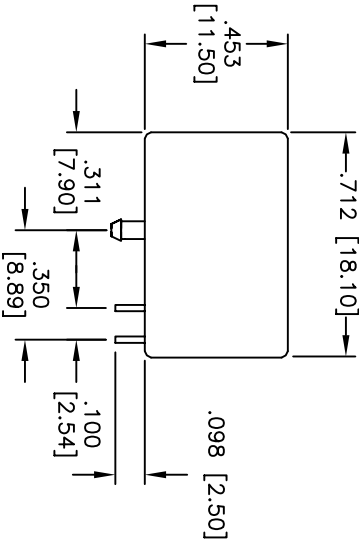
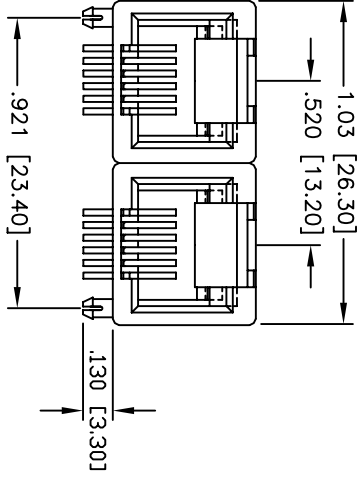
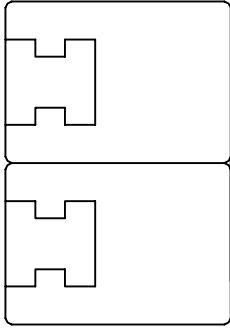
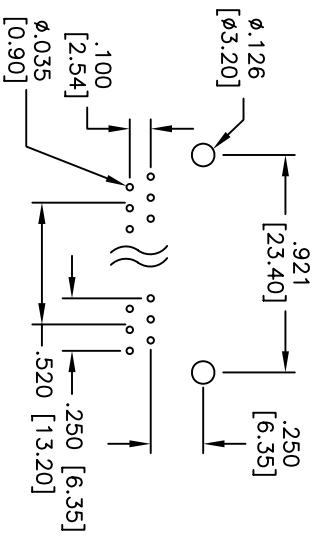


Rev	AWO #	Description	Date	Appr
-		RELEASED	8/7/06	

APPROVED: _____
 DATE: _____ TITLE: _____



X	PLATING
0	15 μ in Gold
1	30 μ in Gold
2	50 μ in Gold



PCB LAYOUT

SPECIFICATIONS:

Material:
 Insulator: PBT, rated UL 94V-0
 Insulator color: Gray
 Contacts: Phosphor Bronze
 Plating:
 Gold over Nickel underplate on contact area, Tin over Copper underplate on PCB tails
Electrical:
 Operating voltage: 150 VAC max
 Current rating: 1.5 Amps max
 Contact resistance: 20 mohms max
 Insulation resistance: 500 Mohms min @ 500 VDC
 Dielectric withstanding voltage: 1000 VAC for 1 minute
 Temperature Rating:
 Operating temperature: -40°C to +125°C
Environmental:
 Lead free, RoHS compliant.
 Recommended soldering temp: 235°C for 5 sec.



ADAM TECH

909 Rahway Avenue, Union, NJ 07083
 Phone: 908-687-5000 Fax: 908-687-5710

**GANGED MODULAR TELEPHONE JACK, 6P6C
 RIGHT ANGLE, PCB, SPLIT PLASTIC PEGS**

UNLESS OTHERWISE SPECIFIED ALL DIMENSIONS ARE IN INCHES [MM]		TITLE GANGED MODULAR TELEPHONE JACK, 6P6C RIGHT ANGLE, PCB, SPLIT PLASTIC PEGS	
TOLERANCES: EXCEPT AS NOTED		909 Rahway Avenue, Union, NJ 07083	
INCHES		Phone: 908-687-5000 Fax: 908-687-5710	
.X	± .10	ØX	± .10
.XX	± .020	ØXXX	± .015
.XXX	± .015	ØXXXX	± .010
APPROVALS		DATE	
DRAWN	SS	8/7/06	
CHECKED			
APPROVED			
SIZE	PART NO.	SCALE	SHEET 1 OF 1
X	MTJG-2-66NX1-SP	NTS	