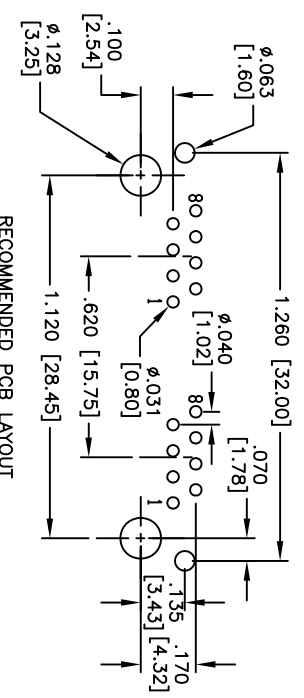
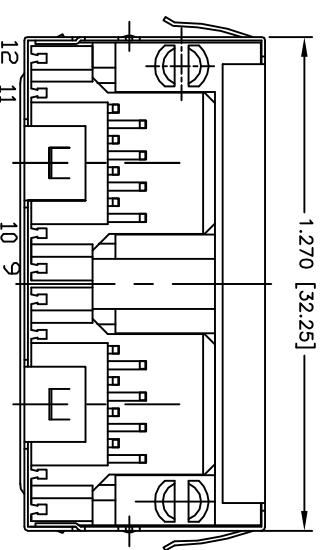
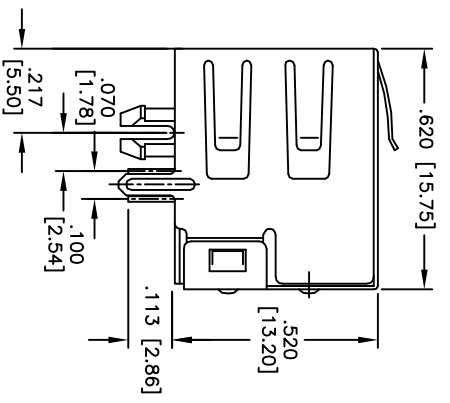
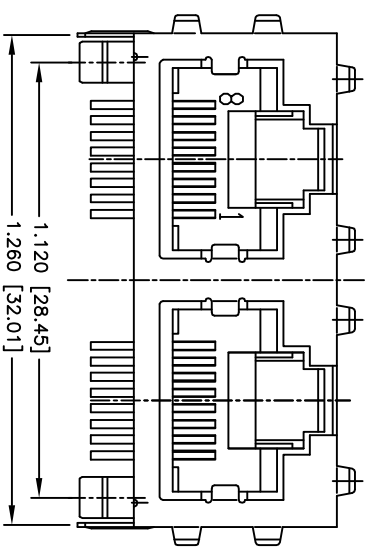


Rev	AWO #	Description	Date	Appr
-	10310	RELEASED	5/28/10	

APPROVED: _____
 DATE: _____ TITLE: _____



X	PLATING
0	15 µin Gold
1	30 µin Gold
2	50 µin Gold

SPECIFICATIONS:

Material: Insulator: PBT, glass reinforced, rated UL 94V-0
 Insulator color: Black
 Contacts: Phosphor Bronze
 Contact Plating: Gold Flash over Nickel underplate on contact area, Tin over Copper underplate on tails. (See chart for thickness)
 Electrical: Operating voltage: 125 VAC max
 Current rating: 1.5 Amps max
 Contact Resistance: 45 mohms max, initial
 Insulation resistance: 1000 Mohms min @ 500 VDC
 Dielectric withstanding voltage: 1000 VAC for 1 minut
 Temperature Rating: Operating temperature: -40°C to +85°C
 Environmental: Lead free, RoHS Compliant
 Recommended soldering temp: 235°C for 5 seconds

A

A

B

B

C

C

D

D

ADAM TECH

909 Rahway Avenue, Union, NJ 07083
 Phone: 908-687-5000 Fax: 908-687-5710

MODULAR JACK GANGED, 2PORT, 8P8C

UNLESS OTHERWISE SPECIFIED ALL DIMENSIONS ARE INCHES [MM]	
TOLERANCES: EXCEPT AS NOTED	
INCHES	
.X ± .10	ØX ± .10
.XX ± .020	ØXXX ± .015
.XXX ± .015	ØXXX ± .010
APPROVALS	DATE
DRAWN	DY
CHECKED	
APPROVED	

SIZE	PART NO.	REV.
X	MTJG-2-88ARX1-FSM-PG	-
REF: S0005C	SCALE: NTS	SHEET 1 OF 1

6

5

4

3

2

1