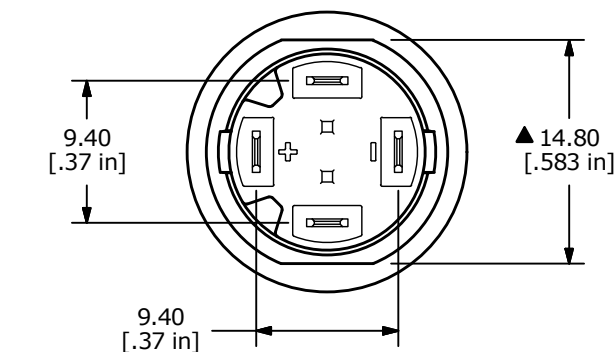
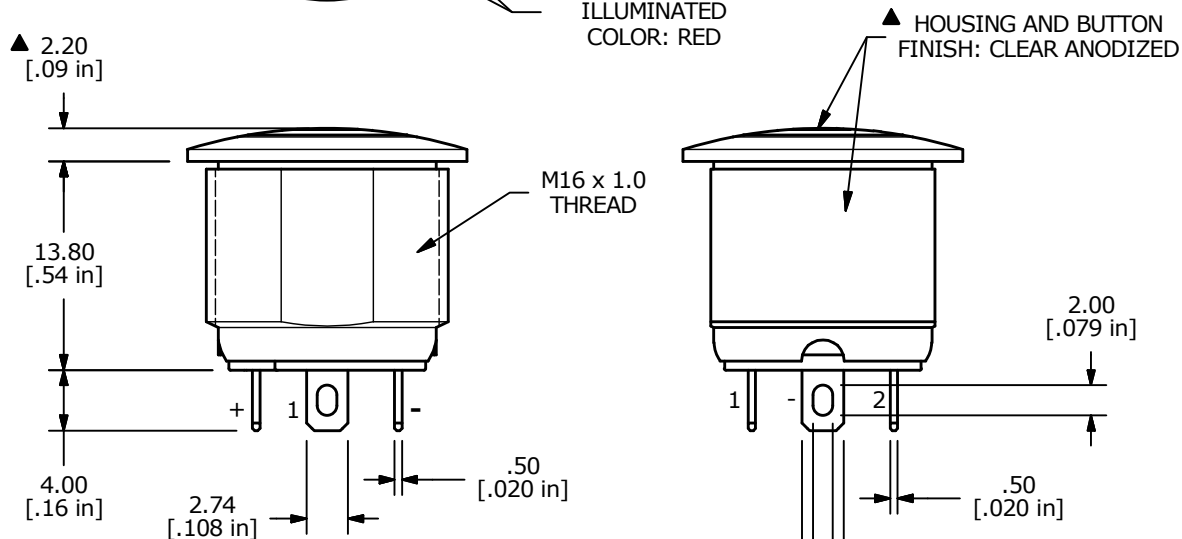


▲ SCHEMATIC  
OFF - (ON)  
( ) DENOTES MOMENTARY FUNCTION



- NOTE:
1. ALL DIMENSIONS IN MM [INCH]
  2. GENERAL TOLERANCE: X.X = ±0.4  
X.XX = ±0.25
  3. TERMINAL NUMBERS FOR REF ONLY
  4. CONTACT MATERIAL: SILVER PLATED
  5. RATING: 2A 36VDC
  6. ELECTRIC LIFE: 200,000
  7. INSULATION RESISTANCE: 1,000MΩ MIN @ 500VDC.
  8. DIELECTRIC STRENGTH: 2,000VAC MIN. FOR 1 MINUTE
  9. CONTACT RESISTANCE: 50mΩ MAX. @ 1A 12VDC
  10. OPERATING TEMP.: -20°C to 70°C
  11. TRAVEL: 2.0mm
  12. ▲ DENOTES CRITICAL PARAMETER.
  13. ILLUMINATION COLOR: RED
  14. HARDWARE SUPPLIED: O-RING AND HEXNUT (NOT SHOWN)
  - ▲ 15. ILLUMINATION VOLTAGE RATING: 1.7 - 2.5V @ 20mA
  16. 2011/65/EC (ROHS) COMPLIANT
  17. INGRESS PROTECTION: IP67



A	23100	New Release	11/15/17	MW
REV	PCR NO	DESCRIPTION	DATE	BY

TITLE PVA6RP24211				
SCALE 2:1	DATE 11/15/2017	DR MW	DWG T960022	REV A

THE INFORMATION CONTAINED IN THIS DOCUMENT IS PROPRIETARY TO E-SWITCH AND IS NOT TO BE COPIED OR TRANSFERRED