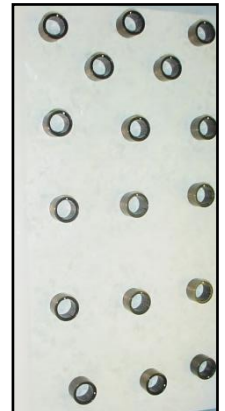
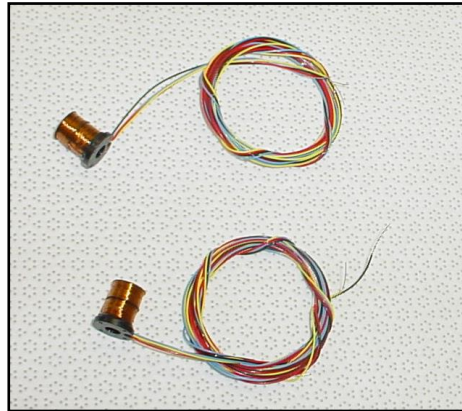


Features:

- Spaceflight heritage
- Simple construction

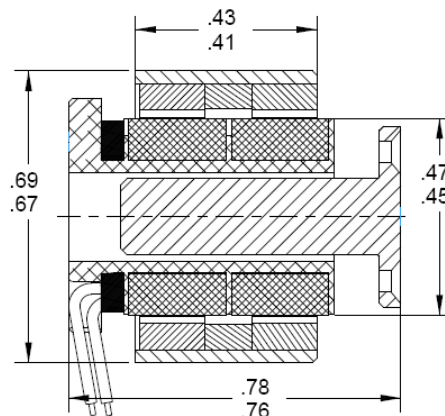
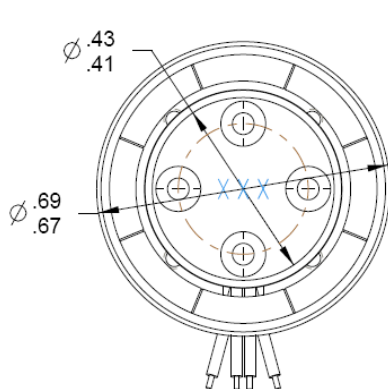
Description:

Typically used on aerospace platforms. Can be used in a wide variety of commercial, industrial or aerospace applications.



Specifications

Specification	Value	Units	Basis
Stroke	±0.035	inches	Nominal
Force Constant	7.2	in-oz	Minimum
Displacement Sensitivity	45.583	μinches/mv	Nominal
Operating Voltage	0.042	VDC	Nominal
Resistance	16.8	ohms	± 10 %
Weight	0.7	ounces	Nominal



Cobham Advanced Electronic Solutions
Integrated Electronic Solutions
350 Kennedy Drive
Hauppauge, NY 11788

Tel: 1.631.231.9100
Email: sales.motion@cobham.com